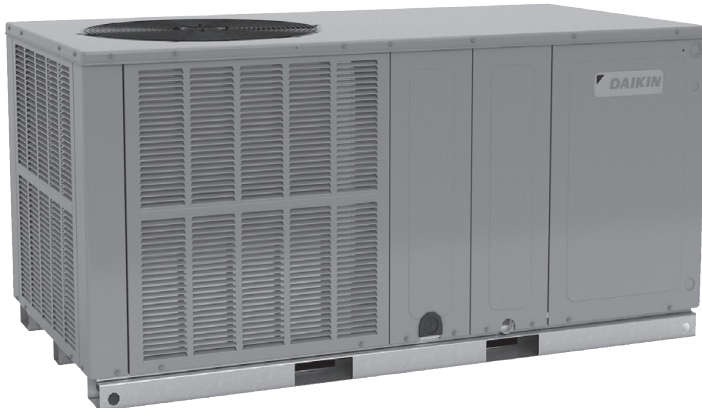


## PACKAGED HEAT PUMPS 13.4 SEER2 / 2 TO 5 TONS



### ■ Contents

Nomenclature .....	2
Product Specifications .....	3
Expanded Cooling Data .....	5
Expanded Heating Data .....	16
Airflow Data .....	19
Heat Kit Electrical Data .....	20
Dimensions.....	22
Wiring Diagrams .....	23
Accessories.....	24

### ■ Standard Features

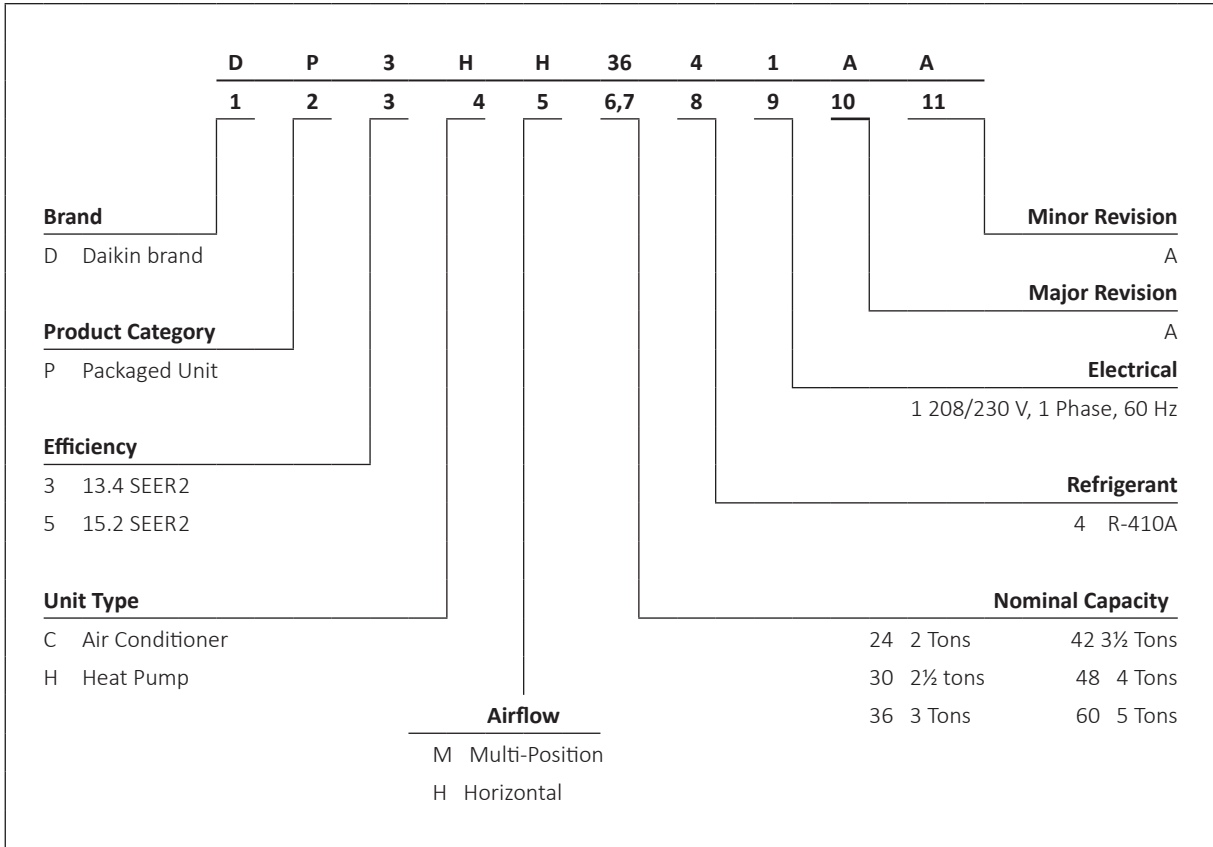
- Energy-efficient compressor with internal relief valve
- Multi-speed ECM indoor blower motor
- Quiet horizontal discharge
- Copper tube/corrosion-resistant fin
- Totally enclosed, permanently lubricated condenser fan motor
- Fully charged system
- Electric heat kit available as a field-installed option
- Compressor sound blanket
- AHRI Certified; ETL listed

### ■ Cabinet Features

- Heavy-gauge galvanized-steel cabinet with attractive Nickel Gray powder-paint finish
- Aluminum foil-facing internal insulation reinforced with fiberglass scrim
- Meets cabinet air leakage requirements when tested in accordance with ASHRAE standard 193
- Fully insulated blower compartment has convenient access panels
- Louvered condenser coil protection
- One footprint; three heights
- When properly anchored, meets the 2020 Florida Building Code unit integrity requirements for hurricane-type winds (Anchor bracket kits available.)



\* Complete warranty details available from your local dealer or at [www.daikincomfort.com](http://www.daikincomfort.com). To receive the 12-Year Parts Limited Warranty, online registration must be completed within 60 days of installation. Online registration is not required in California or Québec. The duration of warranty coverages in Texas differs in some cases.



	DP3HH 2441**	DP3HH 3041**	DP3HH 3641**	DP3HH 4241**	DP3HH 4841**	DP3HH 6041**
<b>COOLING CAPACITY</b>						
Total BTU/h	23,400	27,800	35,200	39,000	46,000	57,000
Sensible BTU/h	18,088	21,934	27,632	30,615	36,616	41,838
SEER2 / EER2	13.4 / 10.6	13.4 / 10.6	13.4 / 10.6	13.4 / 10.6	13.4 / 10.6	13.4 / 10.6
AHRI Numbers	208842398	208842399	208842400	208842401	208842402	208842403
<b>HEATING CAPACITY</b>						
BTU/h (47°F)	22,800	27,600	32,200	37,200	43,500	54,500
C.O.P. (47°F)	3.60	3.54	3.70	3.68	3.62	3.58
BTU/h (17°F)	13,000	15,400	19,400	21,600	24,800	32,200
C.O.P. (17°F)	2.28	2.38	2.34	2.42	2.24	2.36
HSPF2	6.70	6.70	6.70	6.70	6.70	6.70
<b>EVAPORATOR MOTOR</b>						
Type	ECM	ECM	ECM	ECM	ECM	ECM
Wheel (D x W)	10 x 8	10 x 8	10 x 8	10 x 8	10 x 8	11 x 8
Cooling CFM <sup>3</sup>	875	1,050	1,200	1,300	1,570	1,700
Fan-Only CFM	685	581	958	1,061	1,094	1,202
No. of Speeds	5	5	5	5	5	5
Horsepower - RPM	1/2 - 1050	1/2 - 1050	1/2 - 1050	1/2 - 1050	3/4 - 1050	3/4 - 1050
<b>EVAPORATOR COIL</b>						
Face Area (ft <sup>2</sup> )	5.26	5.26	6.23	6.23	6.23	7.01
Rows Deep	3	3	3	4	4	4
Fins per Inch	14	14	14	14	14	14
Metering Device Type	Piston	Piston	Piston	Piston	Piston	Piston
Drain Size (NPT)	¾"	¾"	¾"	¾"	¾"	¾"
Refrigerant Charge (oz.)	105	105	116	132	170	173
<b>CONDENSER FAN</b>						
Horsepower - RPM	1/6 - 810	1/6 - 810	1/4 - 830	1/4 - 1075	1/4 - 1075	1/4 - 1075
Fan Diameter	22	22	22	22	22	22
# of Fan Blades	3	3	4	4	4	4
<b>CONDENSER FAN COIL</b>						
Face Area (ft <sup>2</sup> )	13.37	13.37	17.02	17.02	17.02	18.85
Rows Deep	1	1	1	1	2	2
Fins per Inch	24	24	24	24	16	20
Metering Device Type	Piston	Piston	Piston	Piston	Piston	Piston
<b>COMPRESSOR</b>						
Quantity / Type / Stage	1 / Scroll / Single	1 / Scroll / Single	1 / Scroll / Single	1 / Scroll / Single	1 / Scroll / Single	1 / Scroll / Single
<b>SOUND POWER</b>						
dBA	76	76	78	78	80	80
<b>ELECTRICAL DATA</b>						
Compressor RLA/LRA	12.8 / 58.3	14.1 / 73	16.7 / 79	16.7 / 109	19.9 / 109	26.4 / 134
Voltage/Phase (60 Hz)	208-230 / 1	208-230 / 1	208-230 / 1	208-230 / 1	208-230 / 1	208-230 / 1
Indoor Blower FLA	3.8	3.8	3.8	3.8	5.4	5.4
Outdoor Fan RLA/LRA	0.95	0.95	1.3	1.4	1.4	1.4
M.C.A. <sup>1</sup>	20.8	22.4	26	26.1	31.7	39.8
M.O.P. <sup>2</sup>	30	35	40	40	50	60
<b>OPERATING WEIGHTS (LBS)</b>						
<b>SHIPPING WEIGHTS (LBS)</b>						
	315	315	375	375	375	400
	324	324	387	387	387	412

<sup>1</sup> Wire size should be determined in accordance with National Electrical Codes. Extensive wire runs will require larger wire sizes.

<sup>2</sup> Must use time-delay fuses or HACR-type circuit breakers of the same size as noted.

<sup>3</sup> Factory

**Note:** Always check the S&R plate for electrical data on the unit being installed.



























EXPANDED HEATING DATA

DP3HH2441

100 % CAPACITY

	OUTDOOR AMBIENT TEMPERATURE																
	65	60	55	50	47	45	40	35	30	25	20	17	15	10	5	0	-5
MBh	29.83	27.86	25.92	24.02	22.80	21.89	19.59	17.47	15.75	14.47	13.51	13.00	12.35	10.71	9.08	7.45	5.81
T/R	16.17	15.25	14.33	13.41	12.86	12.34	11.04	9.85	8.88	8.16	7.62	7.33	6.96	6.04	5.12	4.20	3.28
KW	2.50	2.46	2.43	2.39	2.36	2.35	2.31	2.27	2.23	2.20	2.16	2.13	2.12	2.08	2.04	2.00	1.97
AMPS	8.3	8.1	7.9	7.8	7.7	7.6	7.4	7.3	7.1	6.9	6.8	6.7	6.6	6.4	6.3	6.1	5.9
COP	3.49	3.31	3.13	2.95	2.83	2.73	2.48	2.25	2.07	1.93	1.84	1.79	1.71	1.51	1.30	1.09	0.87
Hi PR	388	376	363	350	343	338	325	312	300	287	275	267	262	249	237	224	211
LO PR	137	128	120	111	106	103	94	86	77	69	60	55	52	43	35	26	18

DP3HH3041

100 % CAPACITY

	OUTDOOR AMBIENT TEMPERATURE																
	65	60	55	50	47	45	40	35	30	25	20	17	15	10	5	0	-5
MBh	36.32	33.87	31.47	29.11	27.60	26.46	23.59	20.97	18.83	17.24	16.04	15.40	14.59	12.55	10.52	8.49	6.45
T/R	19.69	18.55	17.40	16.25	15.56	14.92	13.30	11.82	10.62	9.72	9.05	8.68	8.23	7.08	5.93	4.79	3.64
KW	2.87	2.81	2.76	2.70	2.67	2.65	2.59	2.53	2.48	2.42	2.37	2.33	2.31	2.25	2.20	2.14	2.09
AMPS	9.9	9.6	9.4	9.1	9.0	8.9	8.7	8.4	8.2	7.9	7.7	7.5	7.4	7.2	7.0	6.7	6.5
COP	3.71	3.53	3.34	3.16	3.03	2.93	2.67	2.43	2.23	2.09	1.99	1.94	1.85	1.63	1.40	1.16	0.91
Hi PR	408	395	381	368	360	355	342	328	315	302	289	281	275	262	249	235	222
LO PR	130	121	113	105	101	97	89	81	73	65	57	52	49	41	33	25	17

DP3HH3641

100 % CAPACITY

	OUTDOOR AMBIENT TEMPERATURE																
	65	60	55	50	47	45	40	35	30	25	20	17	15	10	5	0	-5
MBh	41.48	38.88	36.33	33.81	32.20	31.03	28.04	25.25	22.97	21.29	20.06	19.40	18.55	16.41	14.28	12.15	10.01
T/R	30.83	29.18	27.53	25.88	24.89	23.99	21.67	19.52	17.76	16.46	15.51	14.99	14.33	12.69	11.04	9.39	7.74
KW	2.87	2.84	2.81	2.78	2.76	2.75	2.72	2.69	2.66	2.63	2.59	2.58	2.56	2.53	2.50	2.47	2.44
AMPS	10.6	10.4	10.3	10.2	10.1	10.0	9.9	9.8	9.6	9.5	9.4	9.3	9.2	9.1	9.0	8.8	8.7
COP	4.23	4.01	3.79	3.57	3.42	3.31	3.02	2.75	2.53	2.38	2.27	2.21	2.12	1.90	1.67	1.44	1.20
Hi PR	352	341	329	318	311	306	295	284	272	261	249	242	238	226	215	203	192
LO PR	135	126	118	110	105	101	93	84	76	68	59	54	51	43	34	26	17

DP3HH4241

100 % CAPACITY

	OUTDOOR AMBIENT TEMPERATURE																
	65	60	55	50	47	45	40	35	30	25	20	17	15	10	5	0	-5
MBh	48.42	45.28	42.19	39.15	37.20	35.76	32.10	28.72	25.97	23.93	22.41	21.60	20.56	17.96	15.36	12.76	10.16
T/R	33.79	31.90	30.01	28.13	27.00	25.95	23.29	20.84	18.85	17.36	16.26	15.67	14.92	13.03	11.15	9.26	7.37
KW	3.24	3.20	3.16	3.12	3.10	3.08	3.04	3.00	2.97	2.93	2.89	2.86	2.85	2.81	2.77	2.73	2.69
AMPS	12.1	11.9	11.7	11.6	11.5	11.4	11.2	11.0	10.9	10.7	10.5	10.4	10.4	10.2	10.0	9.8	9.7
COP	4.38	4.14	3.91	3.67	3.52	3.40	3.09	2.80	2.57	2.40	2.28	2.21	2.12	1.87	1.63	1.37	1.11
Hi PR	369	357	345	333	326	321	309	297	285	273	261	254	249	237	225	213	201
LO PR	133	124	116	108	103	100	91	83	75	67	58	53	50	42	34	25	17

Calculations are based on nominal CFM and 70 °F indoor dry bulb.

Amps = Outdoor unit amps (comp.+fan)

Note: Shaded area is AHRI Rating Conditions at 47°F outdoor ambient temperature

kW = Total system power



DP3HH4841

100 % CAPACITY

	OUTDOOR AMBIENT TEMPERATURE																
	65	60	55	50	47	45	40	35	30	25	20	17	15	10	5	0	-5
MBh	56.91	53.15	49.46	45.82	43.50	41.76	37.37	33.34	30.05	27.60	25.78	24.80	23.55	20.44	17.32	14.20	11.09
T/R	33.03	31.15	29.27	27.39	26.26	25.21	22.55	20.12	18.14	16.66	15.56	14.97	14.22	12.34	10.45	8.57	6.69
KW	3.90	3.83	3.76	3.69	3.65	3.62	3.56	3.49	3.42	3.35	3.29	3.24	3.22	3.15	3.08	3.01	2.95
AMPS	14.5	14.2	13.9	13.6	13.4	13.3	13.0	12.7	12.4	12.1	11.9	11.7	11.6	11.3	11.0	10.7	10.4
COP	4.28	4.07	3.85	3.64	3.49	3.38	3.08	2.80	2.57	2.41	2.30	2.24	2.15	1.90	1.65	1.38	1.10
Hi PR	371	359	347	335	327	323	311	298	286	274	262	255	250	238	226	214	202
LO PR	133	124	116	108	103	100	91	83	75	67	58	53	50	42	34	25	17

DP3HH6041

100 % CAPACITY

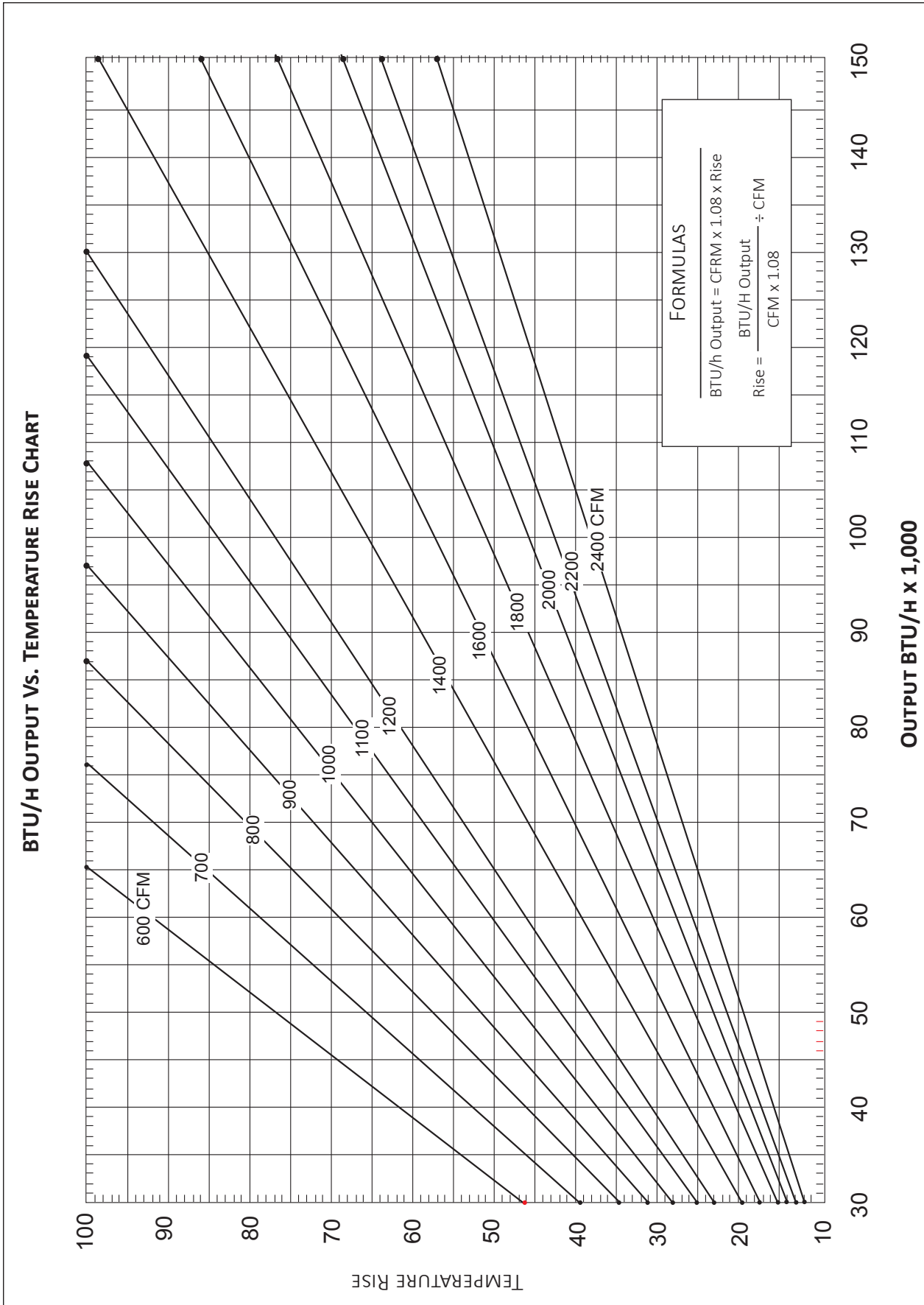
	OUTDOOR AMBIENT TEMPERATURE																
	65	60	55	50	47	45	40	35	30	25	20	17	15	10	5	0	-5
MBh	70.60	66.09	61.66	57.30	54.50	52.45	47.23	42.39	38.44	35.51	33.36	32.20	30.71	27.00	23.28	19.56	15.85
T/R	38.28	36.18	34.09	31.99	30.73	29.58	26.63	23.90	21.68	20.03	18.81	18.16	17.32	15.22	13.13	11.03	8.93
KW	5.05	4.94	4.83	4.72	4.66	4.61	4.51	4.40	4.29	4.18	4.07	4.00	3.96	3.85	3.74	3.63	3.52
AMPS	19.4	18.9	18.4	17.9	17.6	17.5	17.0	16.5	16.0	15.6	15.1	14.8	14.6	14.1	13.7	13.2	12.7
COP	4.10	3.92	3.74	3.56	3.43	3.33	3.07	2.83	2.63	2.49	2.40	2.36	2.27	2.05	1.82	1.58	1.32
Hi PR	402	389	376	363	355	350	337	324	311	298	285	277	272	258	245	232	219
LO PR	128	120	112	104	99	96	88	80	72	64	56	51	48	40	32	24	16

Calculations are based on nominal CFM and 70 °F indoor dry bulb.

Amps = Outdoor unit amps (comp.+fan)

Note: Shaded area is AHRI Rating Conditions at 47°F outdoor ambient temperature

kW = Total system power



MODEL	SPEED*	VOLTS	TYPE	E.S.P. (IN. OF H <sub>2</sub> O)							
				0.1	0.2	0.3	0.4	0.5	0.6	0.7	0.8
DP3HH2441	T1	230	CFM	922	873	823	774	724	675	626	576
			Watts	74	85	96	107	118	129	140	151
	T2,T3	230	CFM	1,172	1,121	1,068	1,012	953	892	832	762
			Watts	135	145	155	164	175	186	184	203
	T4, T5	230	CFM	1,231	1,179	1,127	1,074	1,022	969	917	865
			Watts	168	180	193	205	218	230	243	255
DP3HH3041	T1	230	CFM	864	808	757	695	636	567	494	437
			Watts	72	82	91	103	107	115	123	131
	T2,T3	230	CFM	1,323	1,270	1,220	1,171	1,119	1,060	997	945
			Watts	179	190	199	209	219	230	240	248
	T4, T5	230	CFM	1,404	1,362	1,321	1,271	1,238	1,191	1,150	1,105
			Watts	235	246	257	272	284	289	300	309
DP3HH3641	T1	230	CFM	1,161	1,113	1,076	1,034	994	949	889	837
			Watts	139	150	163	172	184	194	207	218
	T2,T3	230	CFM	1,379	1,343	1,305	1,265	1,226	1,190	1,148	1,108
			Watts	216	229	241	254	264	276	285	296
	T4, T5	230	CFM	1,542	1,502	1,462	1,427	1,392	1,352	1,316	1,280
			Watts	291	301	314	327	339	349	359	371
DP3HH4241	T1	230	CFM	1,271	1,214	1,167	1,127	1,095	1,052	1,013	971
			Watts	168	177	188	200	214	224	235	249
	T2,T3	230	CFM	1,491	1,451	1,406	1,369	1,335	1,295	1,262	1,226
			Watts	245	258	268	281	294	305	318	330
	T4, T5	230	CFM	1,736	1,679	1,638	1,598	1,558	1,520	1,484	1,441
			Watts	356	372	382	395	408	422	433	442
DP3HH4841	T1	230	CFM	1,337	1,297	1,218	1,155	1,118	1,088	1,022	989
			Watts	179	190	203	210	225	243	249	268
	T2/T3	230	CFM	1,758	1,715	1,674	1,637	1,596	1,557	1,518	1,474
			Watts	394	406	418	430	443	455	466	474
	T4/T5	230	CFM	2,002	1,935	1,885	1,827	1,767	1,732	1,669	1,618
			Watts	498	521	516	534	551	567	571	574
DP3HH6041	T1	230	CFM	1,418	1,357	1,315	1,274	1,239	1,193	1,148	1,102
			Watts	212	219	227	236	243	252	266	275
	T2,T3	230	CFM	1,862	1,812	1,763	1,719	1,685	1,649	1,615	1,583
			Watts	437	447	454	461	473	480	483	493
	T4, T5	230	CFM	1,933	1,886	1,838	1,796	1,759	1,723	1,693	1,669
			Watts	491	499	506	519	527	534	539	550

\* Speed set at T2 at factory.

HEAT KIT ELECTRICAL DATA (BLOWER ONLY, HEAT MODE)

MODEL	HEATER KIT	CIRCUIT #1		CIRCUIT #2		PROTECTION		ACTUAL @ 240V	
		MCA*	MOP**	MCA*	MOP**	MCA*	MOP**	KW	BTU/HR
DP3HH2441AA	HKP-05C	24.7	25	---	---	45.5	45	4.75	16,200
	HKR-08C	36.5	40	---	---	57.3	60	7	23,900
	HKP-10C	49.5	50	---	---	70.3	70	9.5	32,400
DP3HH3041AA	HKP-05C	24.7	25	---	---	47.1	50	4.75	16,200
	HKR-08C	36.5	40	---	---	58.9	60	7	23,900
	HKP-10C	49.5	50	---	---	71.9	80	9.5	32,400
DP3HH3641AA	HKP-05C	24.7	25	---	---	50.6	50	4.75	16,200
	HKR-08C	36.5	40	---	---	62.4	70	7	23,900
	HKP-10C	49.5	50	---	---	75.4	80	9.5	32,400
	HKP-15C	49.5	50	24.7	25	106.3	110	14.25	48,600
DP3HH4241AA	HKP-05C	24.7	25	---	---	50.7	50	4.75	16,200
	HKR-08C	36.5	40	---	---	62.5	70	7	23,900
	HKP-10C	49.5	50	---	---	75.5	80	9.5	32,400
	HKP-15C	49.5	50	24.7	25	106.4	110	14.25	48,600
	HKP-20C	49.5	50	49.5	50	137.4	150	19	64,800
DP3HH4841AA	HKP-05C	24.7	25	---	---	56.3	60	4.75	16,200
	HKR-08C	36.5	40	---	---	68.1	70	7	23,900
	HKP-10C	49.5	50	---	---	81.1	90	9.5	32,400
	HKP-15C	49.5	50	24.7	25	112	125	14.25	48,600
	HKP-20C	49.5	50	49.5	50	143	150	19	64,800
DP3HH6041AA	HKP-05C	24.7	25	---	---	64.5	70	4.75	16,200
	HKR-08C	36.5	40	---	---	76.3	80	7	23,900
	HKP-10C	49.5	50	---	---	89.3	90	9.5	32,400
	HKP-15C	49.5	50	24.7	25	120.2	125	14.25	48,600
	HKP-20C	49.5	50	49.5	50	151.2	175	19	64,800

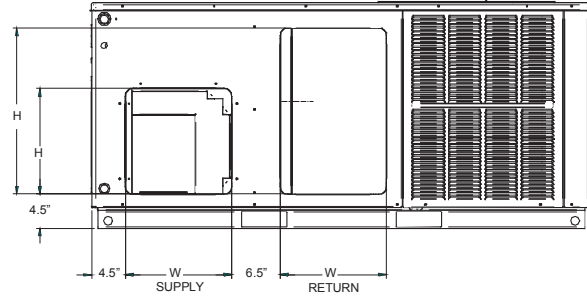
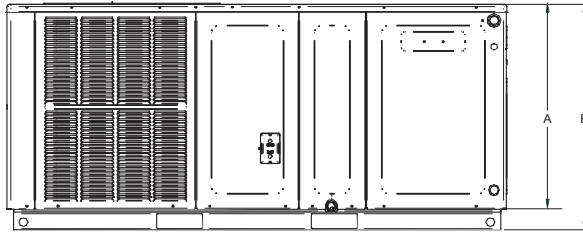
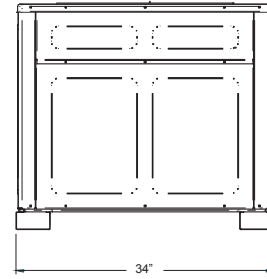
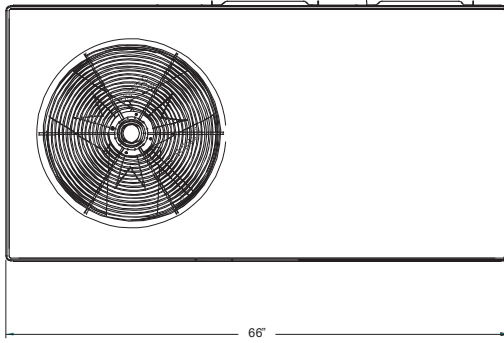
\* - Minimum Circuit Ampacity  
 \*\* - Maximum Overload Protection  
 C - Circuit breaker option

**HEAT KIT ELECTRICAL DATA (BLOWER ONLY, HEAT MODE) (CONT.)**

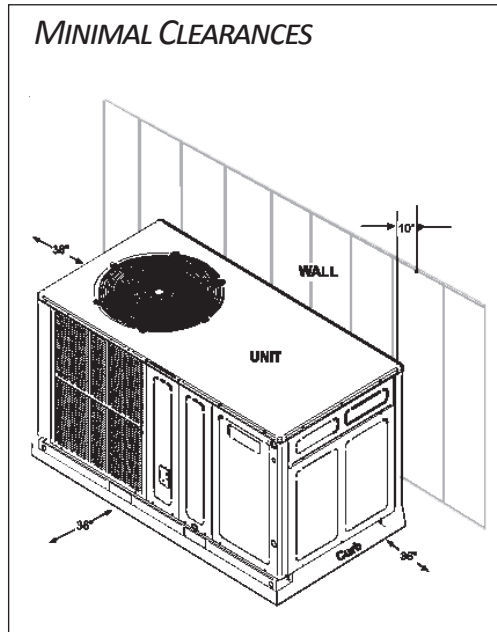
MODEL	HEATER KIT	CIRCUIT #1		CIRCUIT #2		PROTECTION		ACTUAL @ 240V	
		MCA*	MOP**	MCA*	MOP**	MCA*	MOP**	KW	BTU/HR
<b>DP3HH2441AB</b>	HKTPD051	24.7	25	---	---	45.5	45	4.75	16,200
	HKTPD081	36.5	40	---	---	57.3	60	7	23,900
	HKTPD101	49.5	50	---	---	70.3	70	9.5	32,400
<b>DP3HH3041AB</b>	HKTPD051	24.7	25	---	---	47.1	50	4.75	16,200
	HKTPD081	36.5	40	---	---	58.9	60	7	23,900
	HKTPD101	49.5	50	---	---	71.9	80	9.5	32,400
<b>DP3HH3641AB</b>	HKTPD051	24.7	25	---	---	50.6	50	4.75	16,200
	HKTPD081	36.5	40	---	---	62.4	70	7	23,900
	HKTPD101	49.5	50	---	---	75.4	80	9.5	32,400
	HKTPD151	49.5	50	24.7	25	106.3	110	14.25	48,600
<b>DP3HH4241AB</b>	HKTPD051	24.7	25	---	---	50.7	50	4.75	16,200
	HKTPD081	36.5	40	---	---	62.5	70	7	23,900
	HKTPD101	49.5	50	---	---	75.5	80	9.5	32,400
	HKTPD151	49.5	50	24.7	25	106.4	110	14.25	48,600
	HKTPD201	49.5	50	49.5	50	137.4	150	19	64,800
<b>DP3HH4841AB</b>	HKTPD051	24.7	25	---	---	56.3	60	4.75	16,200
	HKTPD081	36.5	40	---	---	68.1	70	7	23,900
	HKTPD101	49.5	50	---	---	81.1	90	9.5	32,400
	HKTPD151	49.5	50	24.7	25	112	125	14.25	48,600
	HKTPD201	49.5	50	49.5	50	143	150	19	64,800
<b>DP3HH6041AB</b>	HKTPD051	24.7	25	---	---	64.5	70	4.75	16,200
	HKTPD081	36.5	40	---	---	76.3	80	7	23,900
	HKTPD101	49.5	50	---	---	89.3	90	9.5	32,400
	HKTPD151	49.5	50	24.7	25	120.2	125	14.25	48,600
	HKTPD201	49.5	50	49.5	50	151.2	175	19	64,800

\* - Minimum Circuit Ampacity  
 \*\* - Maximum Overload Protection

**DIMENSIONS**

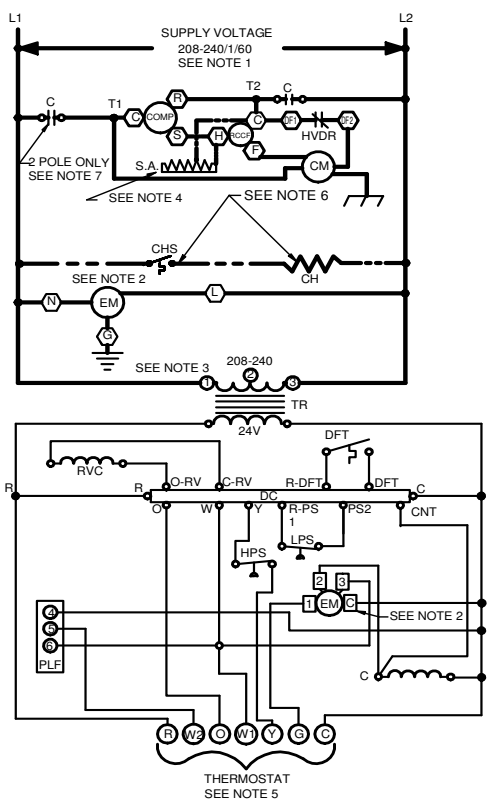
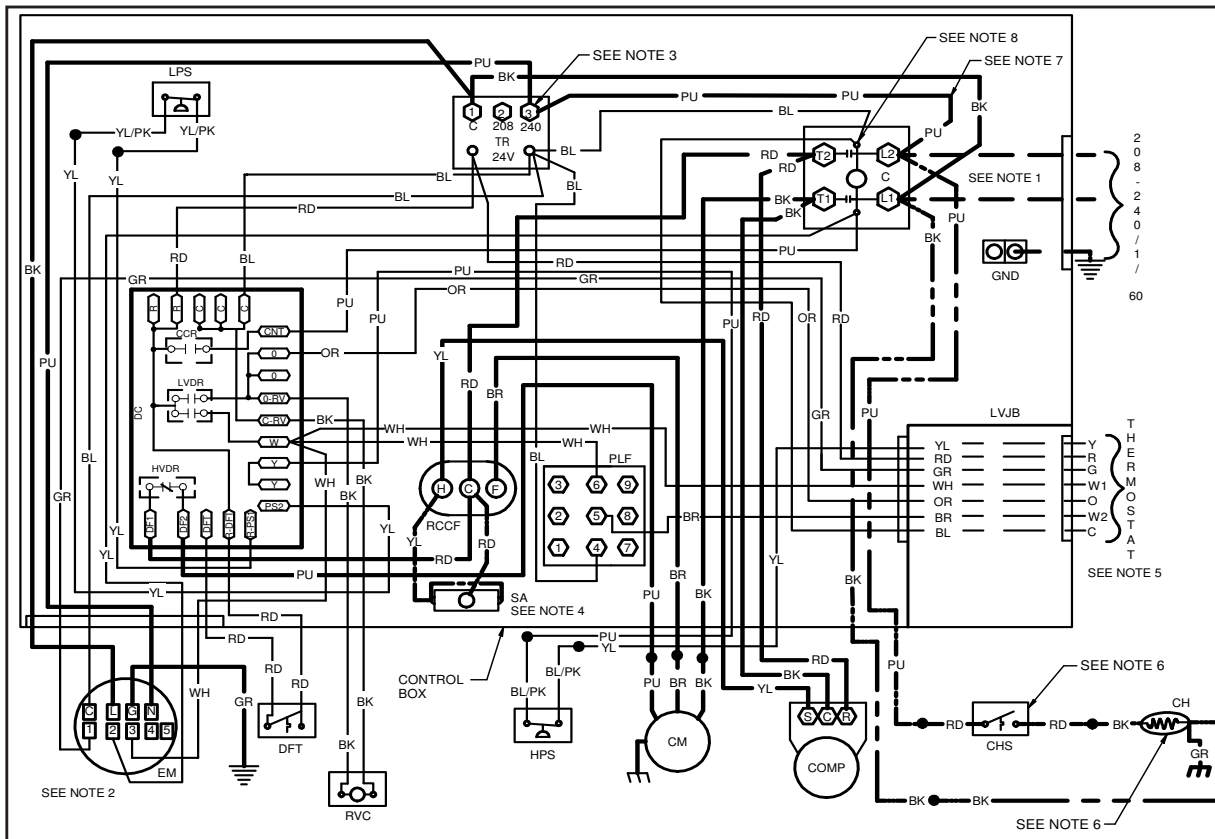


BACK VIEW  
(DUCT OPENINGS)



MODEL	DIMENSIONS				CHASSIS SIZE
	W"	D"	A"	B"	
DP3HH2441**	66	34	27½	30	Small
DP3HH3041**	66	34	27½	30	Small
DP3HH3641**	66	34	32½	35	Medium
DP3HH4241**	66	34	32½	35	Medium
DP3HH4841**	66	34	32½	35	Medium
DP3HH6041**	66	34	36	38½	Large

Model	DUCT OPENINGS			
	SUPPLY		RETURN	
	W	H	W	H
DP3HH2441**	14	14	14	22
DP3HH3041**	14	14	14	22
DP3HH3641**	14	14	14	24
DP3HH4241**	14	14	14	24
DP3HH4841**	14	14	14	24
DP3HH6041**	14	14	14	24



COMPONENT LEGEND

- C CONTACTOR
- CCR COMPRESSOR CONTACTOR RELAY
- CH CRANKCASE HEATER
- CHS CRANKCASE HEATER SWITCH
- COMP CONDENSER MOTOR
- DC COMPRESSOR
- DFT DEFROST CONTROL
- DFT DEFROST THERMOSTAT
- EM EVAPORATOR MOTOR
- GND EQUIPMENT GROUND
- HVDR HIGH VOLTAGE DEFROST RELAY
- LPS LOW PRESSURE SWITCH
- LVDR LOW VOLTAGE DEFROST RELAY
- LVJB LOW VOLTAGE JUNCTION BOX
- PLF FEMALE PLUG / CONNECTOR
- RVC REVERSING VALVE COIL
- RCCF RUN CAPACITOR FOR COMPRESSOR AND FAN
- SA START ASSIST
- TR TRANSFORMER
- HPS HIGH PRESSURE SWITCH

FACTORY WIRING

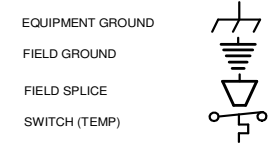
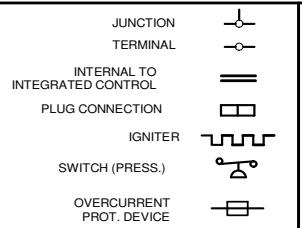
- LINE VOLTAGE
- LOW VOLTAGE
- OPTIONAL HIGH VOLTAGE

FIELD WIRING

- - HIGH VOLTAGE
- - LOW VOLTAGE

WIRE CODE

- BK BLACK
- BL BLUE
- BR BROWN
- GR GREEN
- OR ORANGE
- PU PURPLE
- RD RED
- WH WHITE
- YL YELLOW



NOTES:

1. REPLACEMENT WIRE MUST BE SAME SIZE AND TYPE INSULATION AS ORIGINAL (AT LEAST 105°C) USE COPPER CONDUCTOR ONLY.
2. TO CHANGE EVAPORATOR MOTOR SPEED MOVE WHITE AND YELLOW LEADS FROM EM#2 AND #3 TO #4 AND #5. IF BOTH LEADS ARE ENERGIZED, THE HIGHER SPEED SETTING IS USED.
3. FOR 208 VOLT TRANSFORMER OPERATION MOVE PURPLE WIRES FROM TERMINAL 3 TO TERMINAL 2 ON TRANSFORMER.
4. START ASSIST FACTORY EQUIPPED WHEN REQUIRED
5. USE COPPER CONDUCTORS ONLY  
USE N.E.C. CLASS 2 WIRE
6. CRANKCASE HEATER AND CRANKCASE HEATER SWITCH FACTORY EQUIPPED WHEN REQUIRED.
7. DOUBLE POLE CONTACTOR SHOWN. SINGLE POLE CONTACTOR COULD BE FACTORY EQUIPPED AS AN ALTERNATE CONFIGURATION.
8. COMMON SIDE OF CONTACTOR CANNOT BE GROUNDED OR CONNECTED TO ANY OTHER COMMON (24V).

SEE UNIT RATING PLATE FOR TYPE AND SIZE OF OVER CURRENT PROTECTION



0140G01640-E

**WARNING**  
High Voltage: Disconnect all power before servicing or installing this unit. Multiple power sources may be present. Failure to do so may cause property damage, personal injury, or death.

Wiring is subject to change. Always refer to the wiring diagram on the unit for the most up-to-date wiring.

ACCESSORIES

ACCESSORY DESCRIPTION	ITEM NUMBER	
	SMALL CHASSIS	MEDIUM/LARGE CHASSIS
Downflow Economizer (use w/PCCP roof curb)	DDNECNJPCHHA	DDNECNJPCHHA
Downflow Plenum Kit (use w/PCCP roof curb)	PCP101-103	PCP101-103
Downflow Plenum Kit (R-8) (use w/PCCP roof curb)	PCP101-103 R8	PCP101-103 R8
Elbow Flashing w/R-8 Liner	PCEF101-103	PCEF101-103
Economizer Wiring Harness	0259G00215	0259G00215
External Horizontal Filter Rack	DPHFRA	DPHFRA
Horizontal Economizer	DHZECNJPCHM	DHZECNJPCHM
Inline Fuse Kit	INFKPKG01	INFKPKG01
Isolation Relay Kit (req'd with Economizer)	IRKT-01	IRKT-01
Manual Damper	PCMD101-103	PCMD101-103
Manual Damper - Horizontal	GPHMD101-103	GPHMD101-103
Motorized Damper	PCMDM101-103	PCMDM101-103
Outdoor Thermostat Kit w/ Lockout Stat	OT18-60A	OT18-60A
Roof Curb	PCCP101-103	PCCP101-103
Square to Round Downflow (use w/PCCP roof curb)	SQRPC101	SQRPC102-103
Square to Round Horizontal	SQRPCH101	SQRPCH102-103