

## HIGH-EFFICIENCY PACKAGED HEAT PUMP 15.2 SEER2/6.7 HSPF2 2 TO 5 TONS



### ■ Contents

Nomenclature .....	2
Product Specifications.....	3
Expanded Cooling Data.....	4
Expanded Heating Data .....	28
Heat Kit Electrical Specs.....	30
Airflow Data.....	32
Dimensions.....	34
Wiring Diagram .....	37
Accessories.....	39

### ■ Standard Features

- High-efficiency two-stage scroll compressor
- Two-stage heating & cooling
- Variable-speed ECM blower motor 2 to 4-ton units
- Multi-speed ECM indoor blower motor 5-ton units
- Liquid-line filter drier
- Copper tube/aluminum fin condenser coils
- All-aluminum evaporator coil (2-4 Ton)
- Copper Tube/ Aluminum Fin Evaporator coil (5 Ton)
- Compressor sound blanket
- Electric heat kit available as a field-installed option
- AHRI Certified; ETL Listed

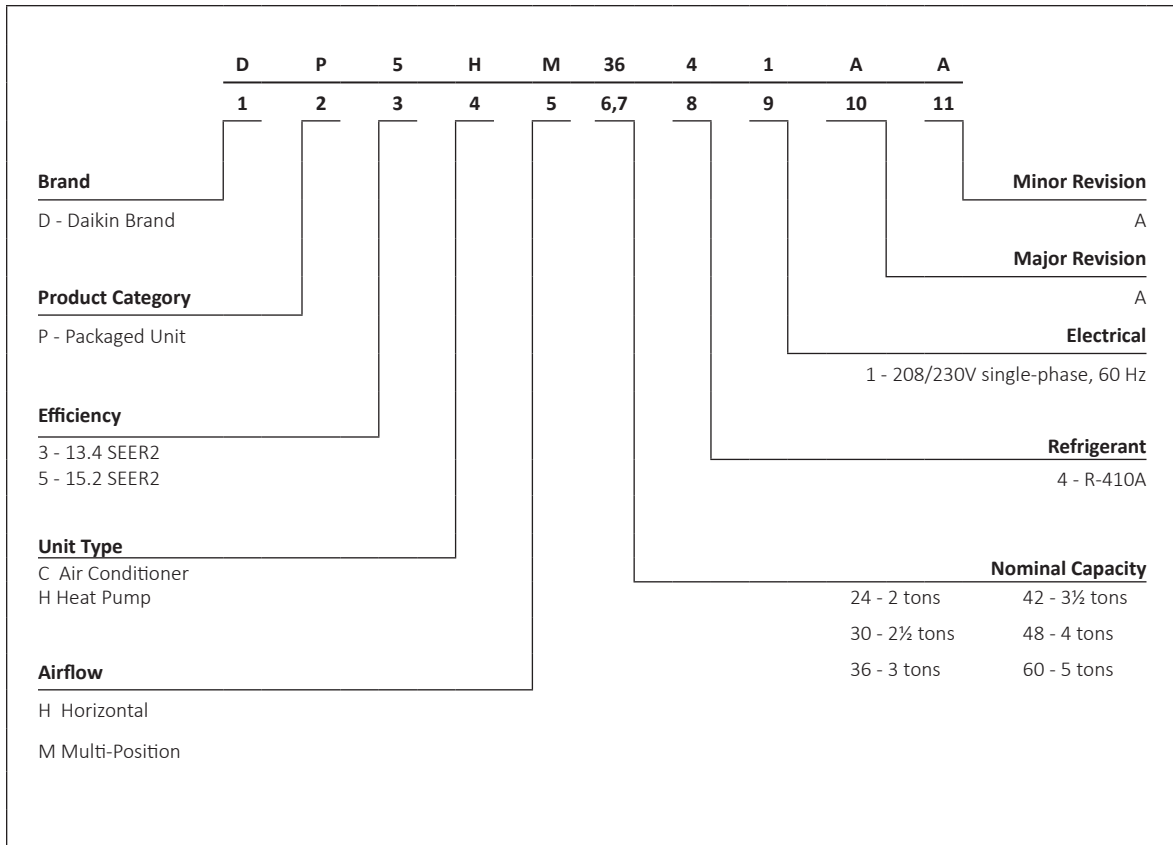
### ■ Cabinet Features

- Fully insulated heavy-gauge, zinc-coated steel cabinet with UV-resistant grey powder-paint finish
- Aluminum foil-facing internal insulation reinforced with fiberglass scrim
- Horizontal or downflow application
- Convenient access panels
- Meets cabinet air leakage requirements when tested in accordance with ASHRAE standard 193
- Louvered condenser coil protection
- When properly anchored, meets the 2020 Florida Building Code unit integrity requirements for hurricane-type winds (Anchor bracket kits available.)



\* Complete warranty details available from your local dealer or at [www.daikincomfort.com](http://www.daikincomfort.com). To receive the 6-Year Unit Replacement Limited Warranty and 12-Year Parts Limited Warranty, online registration must be completed within 60 days of installation. Additional requirements for annual maintenance are required for the Unit Replacement Limited Warranty. Online registration and some of the additional requirements are not required in California or Québec. The duration of warranty coverages in Texas differs in some cases.

# NOMENCLATURE



	DP5HM 2441** + OTHPPKG	DP5HM 3041**	DP5HM 3641**	DP5HM 4241**	DP5HM 4841**	DP5HM 6041**
<b>COOLING CAPACITY</b>						
Total BTU/h	24,000	29,600	34,000	40,500	46,500	56,500
Sensible BTU/h	18,400	22,800	26,000	30,000	36,000	44,000
SEER2 / EER2	15.2 / 11.4	15.2 / 11.4	15.2 / 11.4	15.2 / 11.4	15.2 / 11.2	15.2 / 11.2
AHRI Numbers	210288041	210288042	210288043	210288044	210288045	210288046
<b>HEATING CAPACITY</b>						
BTU/h (47°F)	22,800	28,600	33,800	38,500	44,500	58,500
C.O.P. (47°F)	3.68	3.45	3.70	3.60	3.53	3.73
BTU/h (17°F)	11,200	16,300	19,700	22,200	25,700	32,100
C.O.P. (17°F)	1.95	2.23	2.28	2.15	2.23	2.45
HSPF2	6.70	6.70	6.80	6.80	6.80	6.80
<b>EVAPORATOR MOTOR</b>						
Type	ECM	ECM	ECM	ECM	ECM	ECM
Wheel (D x W)	10 x 9	10 x 9	10 x 9	10 x 9	10 x 9	11 x 10
Cooling CFM <sup>3</sup>	850	1050	1200	1300	1600	2000
No. of Speeds	Variable	Variable	Variable	Variable	Variable	Variable
Horsepower - RPM	½ - 1,050	½ - 1,050	½ - 1,050	¾ - 1,050	¾ - 1,050	1 - 1,200
<b>EVAPORATOR COIL</b>						
Face Area (ft <sup>2</sup> )	4.55	4.55	6.2	6.2	6.2	9.16
Rows Deep	4	4	4	4	4	4
Fins per Inch	14	14	14	14	14	16
Metering Device Type	TXV	TXV	TXV	TXV	TXV	TXV
Drain Size (NPT)	¾"	¾"	¾"	¾"	¾"	¾"
Refrigerant Charge (oz.)	147	150	165	170	170	225
<b>CONDENSER FAN</b>						
Horsepower - RPM	¼ - 830	¼ - 830	¼ - 1,075	¼ - 1,075	¼ - 1,075	½ - 1,090
Fan Diameter	22	22	22	22	22	22
# of Fan Blades	3	3	3	3	3	3
<b>CONDENSER COIL</b>						
Face Area (ft <sup>2</sup> )	15.24	15.24	19.05	19.05	19.05	19.01
Rows Deep	2	2	2	2	2	2
Fins per Inch	16	16	16	16	16	16
Metering Device Type	TXV	TXV	TXV	TXV	TXV	TXV
<b>COMPRESSOR</b>						
Quantity	1	1	1	1	1	1
Type	Scroll	Scroll	Scroll	Scroll	Scroll	Scroll
Stage	Two	Two	Two	Two	Two	Two
<b>Sound Power</b>						
dBA	76	76	81	80	79	80
<b>ELECTRICAL DATA</b>						
Compressor RLA/LRA	10.9 / 61.0	13.1 / 73	14.1 / 84.2	19.9 / 150.7	21.2 / 104	22.9 / 147.2
Voltage/Phase (60 Hz)	208-230/ 1	208-230/ 1	208-230/ 1	208-230/ 1	208-230/ 1	208-230/ 1
Indoor Blower FLA	4.3	4.3	4.3	6.8	6.8	6.9
Outdoor Fan FLA	1.3	1.3	1.4	1.4	1.4	3.5
M.C.A. <sup>1</sup>	19.2	22	23.3	33.1	34.7	39
M.O.P. <sup>2</sup>	30	35	35	50	50	60
<b>SHIPPING WEIGHTS (LBS)</b>						
	376	385	492	492	492	688

<sup>1</sup> Wire size should be determined in accordance with National Electrical Codes. Extensive wire runs will require larger wire sizes.

<sup>2</sup> Must use time-delay fuses or HACR-type circuit breakers of the same size as noted.

<sup>3</sup> Factory

Always check the S&R plate for electrical data on the unit being installed.

**Note:** <sup>1</sup> Always check the S&R plate for electrical data on the unit being installed.

<sup>2</sup> "OTHPPKG" stands for Outdoor Thermostat Heat Pump Package. The OTHPPKG Kit is required for DP5HM2441 unit to achieve the published HSPF2 value.

EXPANDED COOLING DATA — DP5HM2441\*\* (HIGH STAGE)

IDB	AIRFLOW	OUTDOOR AMBIENT TEMPERATURE												ENTERING INDOOR WET BULB TEMPERATURE											
		65°F				75°F				85°F				95°F				105°F				115°F			
		59	63	67	71	59	63	67	71	59	63	67	71	59	63	67	71	59	63	67	71	59	63	67	71
70	MBh	24.3	24.7	25.4	26.5	24.1	24.4	25.2	26.3	23.5	23.8	24.5	25.6	22.4	22.7	23.4	24.6	21.0	21.4	22.1	23.2	19.8	20.1	20.9	22.0
	S/T	0.58	0.50	0.37	-	0.59	0.51	0.37	-	1.00	0.53	0.40	-	1.00	0.55	0.42	-	1.00	0.58	0.44	-	1.00	1.00	0.49	-
	ΔT	13.80	12.56	10.24	-	13.77	12.52	10.20	-	13.94	12.70	10.38	-	13.76	12.51	10.19	-	13.59	12.35	10.03	-	14.37	13.12	10.80	-
	kW	1.51	1.50	1.50	1.5	1.69	1.69	1.68	1.7	1.89	1.89	1.89	1.9	2.11	2.11	2.11	2.1	2.36	2.36	2.35	2.4	2.65	2.65	2.64	2.7
	Amps	5.68	5.67	5.66	5.7	6.47	6.46	6.45	6.5	7.35	7.35	7.33	7.4	8.31	8.30	8.29	8.3	9.38	9.37	9.36	9.4	10.64	10.63	10.62	10.7
	Hi PR	242	243	245	249	280	281	283	288	321	322	323	328	364	365	367	372	410	411	413	418	460	461	463	468
	Lo PR	129	130	134	137	137	138	142	145	144	145	148	152	149	151	154	158	155	157	160	164	162	164	167	171
	MBh	24.7	25.1	25.8	26.9	24.5	24.9	25.6	26.7	23.9	24.2	25.0	26.1	22.8	23.1	23.9	25.0	21.6	22.0	22.7	23.8	20.4	20.7	21.5	22.6
	S/T	0.68	0.60	0.46	-	0.68	0.60	0.47	-	1.00	0.63	0.49	-	1.00	0.65	0.51	-	1.00	0.67	0.53	-	1.00	1.00	0.59	-
	ΔT	12.69	11.45	9.13	-	12.66	11.41	9.09	-	12.83	11.59	9.27	-	12.64	11.40	9.08	-	12.48	11.24	8.91	-	13.26	12.01	9.69	-
kW	1.52	1.52	1.52	1.5	1.70	1.70	1.70	1.7	1.91	1.90	1.90	1.9	2.13	2.13	2.12	2.1	2.37	2.37	2.37	2.4	2.66	2.66	2.66	2.7	
Amps	5.74	5.73	5.72	5.8	6.53	6.52	6.51	6.6	7.41	7.41	7.39	7.4	8.37	8.37	8.35	8.4	9.44	9.44	9.42	9.5	10.70	10.69	10.68	10.7	
Hi PR	245	246	248	249	283	284	286	287	324	325	326	327	367	368	370	371	413	414	416	417	463	464	466	467	
Lo PR	131	133	136	137	139	141	144	145	146	148	151	152	152	154	157	158	158	159	163	164	165	167	170	171	
75	MBh	24.3	24.7	25.4	26.5	24.1	24.4	25.2	26.3	23.5	23.8	24.5	25.6	22.4	22.7	23.4	24.6	21.0	21.4	22.1	23.2	19.8	20.1	20.9	22.0
	S/T	0.71	0.63	0.50	0.4	1.00	0.64	0.50	0.4	1.00	0.67	0.53	0.4	1.00	0.69	0.55	0.4	1.00	1.00	0.57	0.4	1.00	1.00	0.62	0.5
	ΔT	16.54	15.29	12.97	10.6	16.50	15.26	12.94	10.5	16.68	15.43	13.11	10.7	16.49	15.25	12.92	10.5	16.32	15.08	12.76	10.4	17.10	15.86	13.54	11.1
	kW	1.51	1.50	1.50	1.5	1.69	1.69	1.68	1.7	1.89	1.89	1.89	1.9	2.11	2.11	2.11	2.1	2.36	2.36	2.35	2.4	2.65	2.64	2.64	2.7
	Amps	5.67	5.66	5.65	5.7	6.46	6.46	6.44	6.5	7.35	7.34	7.33	7.4	8.31	8.30	8.29	8.3	9.38	9.37	9.36	9.4	10.63	10.63	10.61	10.7
	Hi PR	242	243	245	249.3	281	282	283	287.6	321	322	323	327.8	364	365	367	371.0	411	412	413	417.7	460	461	463	467.4
	Lo PR	129	130	134	139.2	137	138	142	147.1	144	145	148	154.0	149	151	154	159.8	155	157	160	165.6	162	164	167	172.7
	MBh	24.8	25.1	25.8	26.9	24.5	24.9	25.6	26.7	23.9	24.2	25.0	26.1	22.8	23.1	23.9	25.0	21.5	21.8	22.5	23.6	20.2	20.6	21.3	22.4
	S/T	0.81	0.73	0.59	0.4	1.00	0.74	0.60	0.5	1.00	0.76	0.62	0.5	1.00	0.78	0.64	0.5	1.00	1.00	0.67	0.5	1.00	1.00	0.72	0.6
	ΔT	15.42	14.18	11.86	9.5	15.39	14.15	11.83	9.4	15.56	14.32	12.00	9.6	15.38	14.13	11.81	9.4	15.21	13.97	11.65	9.2	15.99	14.75	12.43	10.0
kW	1.52	1.52	1.51	1.5	1.70	1.70	1.70	1.7	1.91	1.90	1.90	1.9	2.13	2.12	2.12	2.1	2.37	2.37	2.37	2.4	2.66	2.66	2.66	2.7	
Amps	5.73	5.72	5.71	5.8	6.52	6.52	6.50	6.6	7.41	7.40	7.39	7.4	8.37	8.36	8.35	8.4	9.44	9.43	9.42	9.5	10.69	10.69	10.67	10.7	
Hi PR	245	246	248	252.2	284	285	286	290.6	324	325	327	330.7	367	368	370	374.0	414	415	416	420.6	463	464	466	470.4	
Lo PR	131	133	136	141.9	139	141	144	149.7	146	148	151	156.6	152	154	157	162.5	158	159	163	168.2	165	167	170	175.4	
900	MBh	24.9	25.3	26.0	27.1	24.7	25.1	25.8	26.9	24.1	24.4	25.1	26.3	23.0	23.3	24.0	25.2	21.6	22.0	22.7	23.8	20.4	20.8	21.5	22.6
	S/T	0.83	0.75	0.61	0.5	1.00	0.75	0.62	0.5	1.00	0.78	0.64	0.5	1.00	1.00	0.66	0.5	1.00	1.00	0.68	0.5	1.00	1.00	0.74	0.6
	ΔT	15.12	13.87	11.55	9.1	15.08	13.84	11.52	9.1	15.26	14.01	11.69	9.3	15.07	13.83	11.50	9.1	14.90	13.66	11.34	8.9	15.68	14.44	12.12	9.7
	kW	1.52	1.52	1.52	1.5	1.71	1.70	1.70	1.7	1.91	1.91	1.90	1.9	2.13	2.13	2.12	2.1	2.38	2.37	2.37	2.4	2.66	2.66	2.66	2.7
	Amps	5.75	5.74	5.73	5.8	6.54	6.53	6.52	6.6	7.43	7.42	7.41	7.5	8.38	8.38	8.36	8.4	9.45	9.45	9.43	9.5	10.71	10.70	10.69	10.7
	Hi PR	246	247	249	253.2	285	286	287	291.5	325	326	327	331.7	368	369	371	374.9	415	416	417	421.6	464	465	467	471.3
	Lo PR	132	134	137	142.8	140	142	145	150.7	147	149	152	157.6	153	155	158	163.4	159	160	164	169.2	166	168	171	176.3

IDB: Entering Indoor Dry Bulb Temperature  
 High and low pressures are measured at the liquid and suction access fittings.  
 Design Subcooling 8 ±2 °F @ the liquid access fitting connection AHR1 95 test conditions. Design Superheat 15 ±2 °F @ the compressor suction access fitting connection.  
 Shaded area reflects ACCA (TVA) conditions.  
 kW = Total system power  
 Amps = outdoor unit amps (comp. +fan)

EXPANDED COOLING DATA — DP5HM2441\*\* (HIGH STAGE) (CONT.)

IDB	AIRFLOW	Outdoor Ambient Temperature																																			
		65°F						75°F						85°F						95°F						105°F						115°F					
		59	63	67	71	75	79	59	63	67	71	75	79	59	63	67	71	75	79	59	63	67	71	75	79	59	63	67	71	75	79	59	63	67	71	75	79
80	700	MBh	24.4	24.8	25.5	26.6	24.2	24.6	25.3	26.4	23.6	23.9	24.7	25.8	22.5	22.8	23.6	24.7	21.1	21.5	22.2	23.3	19.9	20.3	21.0	22.1											
		S/T	1.00	0.76	0.62	0.5	1.00	0.77	0.63	0.5	1.00	1.00	0.66	0.5	1.00	1.00	0.68	0.5	1.00	1.00	0.70	0.6	1.00	1.00	1.00	0.6											
		ΔT	19.29	18.04	15.72	13.3	19.25	18.01	15.69	13.3	19.43	18.18	15.86	13.5	19.24	18.00	15.68	13.3	19.07	17.83	15.51	13.1	19.85	18.61	16.29	13.9											
		kW	1.51	1.50	1.50	1.5	1.69	1.69	1.68	1.7	1.89	1.89	1.89	1.9	2.11	2.11	2.11	2.1	2.36	2.36	2.35	2.4	2.65	2.65	2.64	2.7											
		Amps	5.67	5.67	5.65	5.7	6.47	6.46	6.45	6.5	7.35	7.35	7.33	7.4	8.31	8.30	8.29	8.4	9.38	9.37	9.36	9.4	10.64	10.63	10.62	10.7											
	Hi PR	243	244	245	249.7	281	282	284	288.1	321	322	324	328.2	364	366	367	371.5	411	412	414	418.1	461	462	464	467.9												
	Lo PR	129	131	134	139.8	137	139	142	147.7	144	146	149	154.6	150	152	155	160.4	156	157	161	166.1	163	164	168	173.3												
	MBh	24.9	25.2	26.0	27.1	24.7	25.0	25.7	26.8	24.0	24.4	25.1	26.2	22.9	23.3	24.0	25.1	21.6	21.9	22.7	23.8	20.4	20.7	21.4	22.5												
	S/T	1.00	0.86	0.72	0.6	1.00	0.86	0.73	0.6	1.00	1.00	0.75	0.6	1.00	1.00	0.77	0.6	1.00	1.00	0.79	0.6	1.00	1.00	1.00	0.7												
	ΔT	18.18	16.93	14.61	12.2	18.14	16.90	14.58	12.2	18.32	17.07	14.75	12.3	18.13	16.89	14.57	12.2	17.96	16.72	14.40	12.0	18.74	17.50	15.18	12.8												
kW	1.52	1.52	1.52	1.5	1.70	1.70	1.70	1.7	1.91	1.90	1.90	1.9	2.13	2.12	2.12	2.1	2.37	2.37	2.37	2.4	2.66	2.66	2.66	2.7													
Amps	5.74	5.73	5.72	5.8	6.53	6.52	6.51	6.6	7.41	7.41	7.39	7.5	8.37	8.36	8.35	8.4	9.44	9.43	9.42	9.5	10.70	10.69	10.68	10.7													
Hi PR	246	247	248	252.7	284	285	287	291.0	324	325	327	331.2	367	368	370	374.4	414	415	417	421.1	464	465	467	470.8													
Lo PR	132	134	137	142.4	140	142	145	150.3	147	148	152	157.2	153	154	158	163.1	158	160	163	168.8	166	167	170	176.0													
85	700	MBh	24.9	25.2	25.9	27.0	24.8	25.2	25.9	27.0	24.2	24.5	25.3	26.4	23.1	23.4	24.2	25.3	21.8	22.1	22.8	23.9	20.5	20.9	21.6	22.7											
		S/T	1.00	0.88	0.74	0.6	1.00	0.88	0.74	0.6	1.00	1.00	0.77	0.6	1.00	1.00	0.79	0.6	1.00	1.00	0.81	0.7	1.00	1.00	1.00	0.7											
		ΔT	17.87	16.62	14.30	11.9	17.83	16.59	14.27	11.9	18.01	16.76	14.44	12.0	17.82	16.58	14.26	11.9	17.65	16.41	14.09	11.7	18.43	17.19	14.87	12.5											
		kW	1.52	1.52	1.52	1.5	1.71	1.70	1.70	1.7	1.91	1.91	1.91	1.9	2.13	2.13	2.13	2.1	2.38	2.37	2.37	2.4	2.67	2.66	2.66	2.7											
		Amps	5.69	5.68	5.67	5.7	6.48	6.48	6.46	6.5	7.37	7.36	7.35	7.4	8.33	8.32	8.31	8.4	9.40	9.39	9.38	9.4	10.65	10.64	10.63	10.7											
	Hi PR	244	245	247	250.9	282	283	285	289.2	322	323	325	329.4	366	367	368	372.6	412	413	415	419.2	462	463	465	469.0												
	Lo PR	131	133	136	141.7	139	141	144	149.6	146	148	151	156.5	152	154	157	162.3	158	159	163	168.1	165	166	170	175.2												
	MBh	25.3	25.6	26.4	27.5	25.1	25.4	26.1	27.3	24.4	24.8	25.5	26.6	23.3	23.7	24.4	25.5	22.0	22.3	23.1	24.2	20.8	21.1	21.8	23.0												
	S/T	1.00	1.00	0.82	0.7	1.00	1.00	0.83	0.7	1.00	1.00	0.85	0.7	1.00	1.00	1.00	0.7	1.00	1.00	1.00	0.8	1.00	1.00	1.00	0.8												
	ΔT	20.62	19.37	17.05	14.6	20.58	19.34	17.02	14.6	20.76	19.51	17.19	14.8	20.57	19.33	17.01	14.6	20.40	19.16	16.84	14.4	21.18	19.94	17.62	15.2												
kW	1.52	1.52	1.52	1.5	1.71	1.70	1.70	1.7	1.91	1.91	1.90	1.9	2.13	2.13	2.13	2.1	2.38	2.37	2.37	2.4	2.66	2.66	2.66	2.7													
Amps	5.75	5.74	5.73	5.8	6.54	6.54	6.52	6.6	7.43	7.42	7.41	7.5	8.39	8.38	8.37	8.4	9.46	9.45	9.44	9.5	10.71	10.71	10.69	10.8													
Hi PR	247	248	250	253.8	285	286	288	292.2	325	326	328	332.3	369	370	371	375.6	415	416	418	422.2	465	466	468	472.0													
Lo PR	134	136	139	144.4	142	143	147	152.3	149	150	154	159.2	155	156	159	165.0	160	162	165	170.7	167	169	172	177.9													
900	700	MBh	25.5	25.8	26.5	27.7	25.2	25.6	26.3	27.4	24.6	25.0	25.7	26.8	23.5	23.9	24.6	25.7	22.2	22.5	23.2	24.4	20.9	21.3	22.0	23.1											
		S/T	1.00	1.00	0.84	0.7	1.00	1.00	0.85	0.7	1.00	1.00	0.87	0.7	1.00	1.00	1.00	0.7	1.00	1.00	1.00	0.8	1.00	1.00	1.00	0.8											
		ΔT	20.31	19.06	16.74	14.3	20.27	19.03	16.71	14.3	20.45	19.21	16.88	14.5	20.26	19.02	16.70	14.3	20.09	18.85	16.53	14.1	20.87	19.63	17.31	14.9											
		kW	1.53	1.53	1.52	1.5	1.71	1.71	1.71	1.7	1.91	1.91	1.91	1.9	2.13	2.13	2.13	2.1	2.38	2.38	2.38	2.4	2.67	2.67	2.66	2.7											
		Amps	5.77	5.76	5.75	5.8	6.56	6.55	6.54	6.6	7.44	7.44	7.43	7.5	8.40	8.40	8.38	8.4	9.47	9.47	9.45	9.5	10.73	10.72	10.71	10.8											
	Hi PR	248	249	251	254.8	286	287	289	293.1	326	327	329	333.3	370	371	372	376.5	416	417	419	423.2	466	467	469	472.9												
	Lo PR	135	137	140	145.3	143	144	148	153.2	150	151	155	160.1	156	157	160	166.0	161	163	166	171.7	168	170	173	178.9												

IDB: Entering Indoor Dry Bulb Temperature  
 High and low pressures are measured at the liquid and suction access fittings.  
 Design Subcooling 8 ±2 °F @ the liquid access fitting connection AHRI 95 test conditions. Design Superheat 15 ±2 °F @ the compressor suction access fitting connection.  
 Shaded area reflects AHRI conditions.  
 kW = Total system power  
 Amps = outdoor unit amps (comp. +fan)

EXPANDED COOLING DATA — DP5HM2441\*\* (LOW STAGE)

IDB	AIRFLOW	OUTDOOR AMBIENT TEMPERATURE																								
		65°F				75°F				85°F				95°F				105°F				115°F				
		59	63	67	71	59	63	67	71	59	63	67	71	59	63	67	71	59	63	67	71	59	63	67	71	
70	494	MBh	17.5	17.7	18.3	19.1	17.3	17.6	18.1	18.9	16.9	17.1	17.6	18.4	16.1	16.3	16.8	17.6	15.1	15.4	15.9	16.7	14.2	14.5	15.0	15.8
		S/T	0.60	0.52	0.38	-	0.60	0.52	0.38	-	1.00	0.55	0.41	-	1.00	0.57	0.43	-	1.00	0.59	0.45	-	1.00	1.00	0.51	-
		ΔT	13.32	12.12	9.88	-	13.29	12.09	9.85	-	13.45	12.26	10.02	-	13.27	12.07	9.83	-	13.11	11.91	9.67	-	13.86	12.67	10.43	-
		kW	0.95	0.95	0.94	-	1.06	1.06	1.06	-	1.19	1.19	1.19	-	1.33	1.33	1.33	-	1.48	1.48	1.48	-	1.67	1.66	1.66	-
		Amps	3.57	3.57	3.56	-	4.07	4.06	4.06	-	4.63	4.62	4.61	-	5.23	5.22	5.22	-	5.90	5.90	5.89	-	6.69	6.69	6.68	-
	600	Hi PR	231	232	234	-	268	269	271	-	306	307	309	-	348	349	350	-	392	393	395	-	440	441	443	-
		Lo PR	132	134	137	-	140	142	146	-	148	149	153	-	154	155	159	-	159	161	164	-	167	168	172	-
		MBh	17.8	18.0	18.6	-	17.6	17.9	18.4	-	17.2	17.4	17.9	-	16.4	16.6	17.2	-	15.4	15.7	16.2	-	14.5	14.8	15.3	-
		S/T	0.69	0.61	0.47	-	1.00	0.62	0.48	-	1.00	0.65	0.51	-	1.00	0.67	0.53	-	1.00	1.00	0.55	-	1.00	1.00	0.60	-
		ΔT	12.25	11.05	8.81	-	12.21	11.01	8.77	-	12.38	11.18	8.94	-	12.20	11.00	8.76	-	12.04	10.84	8.60	-	12.79	11.59	9.35	-
635	kW	0.96	0.96	0.95	-	1.07	1.07	1.07	-	1.20	1.20	1.20	-	1.34	1.34	1.33	-	1.49	1.49	1.49	-	1.67	1.67	1.67	-	
	Amps	3.61	3.60	3.60	-	4.11	4.10	4.09	-	4.66	4.66	4.65	-	5.27	5.26	5.25	-	5.94	5.94	5.93	-	6.73	6.72	6.72	-	
	Hi PR	234	235	237	-	271	272	274	-	309	310	312	-	351	352	353	-	395	396	398	-	443	444	445	-	
	Lo PR	135	137	140	-	143	145	148	-	150	152	155	-	156	158	161	-	162	164	167	-	170	171	175	-	
	MBh	17.9	18.2	18.7	-	17.8	18.0	18.5	-	17.3	17.5	18.1	-	16.5	16.8	17.3	-	15.5	15.8	16.3	-	14.7	14.9	15.4	-	
75	494	S/T	0.71	0.63	0.49	-	1.00	0.64	0.50	-	1.00	0.67	0.53	-	1.00	0.69	0.55	-	1.00	1.00	0.57	-	1.00	1.00	0.62	-
		ΔT	11.95	10.75	8.51	-	11.92	10.72	8.48	-	12.08	10.88	8.64	-	11.90	10.70	8.46	-	11.74	10.54	8.30	-	12.49	11.29	9.05	-
		kW	0.96	0.96	0.96	-	1.07	1.07	1.07	-	1.20	1.20	1.20	-	1.34	1.34	1.34	-	1.49	1.49	1.49	-	1.68	1.68	1.67	-
		Amps	3.62	3.61	3.61	-	4.12	4.11	4.10	-	4.67	4.67	4.66	-	5.28	5.27	5.26	-	5.95	5.95	5.94	-	6.74	6.74	6.73	-
		Hi PR	235	236	238	-	272	273	274	-	310	311	313	-	352	353	354	-	396	397	399	-	444	445	446	-
	600	Lo PR	136	138	141	-	144	146	149	-	151	153	156	-	157	159	162	-	163	165	168	-	171	172	176	-
		MBh	17.8	18.0	18.6	19.4	17.6	17.9	18.4	19.2	17.2	17.4	18.0	18.8	16.4	16.6	17.2	18.0	15.4	15.7	16.2	17.0	14.5	14.8	15.3	16.1
		S/T	1.00	0.75	0.61	0.5	1.00	0.76	0.61	0.5	1.00	0.78	0.64	0.5	1.00	1.00	0.66	0.5	1.00	1.00	0.68	0.5	1.00	1.00	0.74	0.6
		ΔT	14.88	13.68	11.44	9.1	14.85	13.65	11.41	9.1	15.02	13.82	11.58	9.3	14.84	13.64	11.40	9.1	14.68	13.48	11.24	8.9	15.43	14.23	11.99	9.7
		kW	0.96	0.95	0.95	1.0	1.07	1.07	1.07	1.1	1.20	1.20	1.20	1.2	1.34	1.34	1.33	1.3	1.49	1.49	1.49	1.5	1.67	1.67	1.67	1.7
635	Amps	3.60	3.60	3.59	3.6	4.10	4.10	4.09	4.1	4.66	4.66	4.65	4.7	5.26	5.26	5.25	5.3	5.94	5.93	5.92	6.0	6.73	6.72	6.71	6.8	
	Hi PR	234	235	237	241.1	271	272	274	277.8	310	311	312	316.2	351	352	353	357.5	395	396	398	402.1	443	444	446	449.7	
	Lo PR	135	137	140	145.8	143	145	148	153.9	150	152	155	161.0	156	161	167.0	172.9	162	164	167	172.9	170	171	175	180.3	
	MBh	17.9	18.2	18.7	19.5	17.8	18.0	18.5	19.3	17.3	17.6	18.1	18.9	16.5	16.8	17.3	18.1	15.6	15.8	16.3	17.1	14.7	14.9	15.4	16.2	
	S/T	1.00	0.77	0.63	0.5	1.00	0.78	0.63	0.5	1.00	0.80	0.66	0.5	1.00	1.00	0.68	0.5	1.00	1.00	0.70	0.6	1.00	1.00	1.00	0.6	
635	ΔT	14.59	13.39	11.15	8.8	14.55	13.35	11.11	8.8	14.72	13.52	11.28	9.0	14.54	13.34	11.10	8.8	14.38	13.18	10.94	8.6	15.13	13.93	11.69	9.4	
	kW	0.96	0.96	0.96	1.0	1.07	1.07	1.07	1.1	1.20	1.20	1.20	1.2	1.34	1.34	1.34	1.3	1.49	1.49	1.49	1.5	1.68	1.67	1.67	1.7	
	Amps	3.62	3.61	3.60	3.6	4.11	4.11	4.10	4.1	4.67	4.67	4.66	4.7	5.27	5.27	5.26	5.3	5.95	5.94	5.93	6.0	6.74	6.73	6.72	6.8	
	Hi PR	235	236	238	242.0	272	273	275	278.7	310	311	313	317.1	352	353	354	358.4	396	397	399	403.0	444	445	447	450.6	
	Lo PR	136	138	141	146.8	144	146	149	154.9	151	153	156	162.0	157	159	162	168.0	163	165	168	173.9	171	172	176	181.3	

IDB: Entering Indoor Dry Bulb Temperature  
 High and low pressures are measured at the liquid and suction access fittings.  
 Design Subcooling 8 ±2 °F @ the liquid access fitting connection AHRI 95 test conditions. Design Superheat 15 ±2 °F @ the compressor suction access fitting connection.  
 Shaded area reflects ACCA (TVA) conditions.  
 kW = Total system power  
 Amps = outdoor unit amps (comp. +fan)

EXPANDED COOLING DATA — DP5HM2441\*\* (LOW STAGE) (CONT.)

IDB	AIRFLOW	Outdoor Ambient Temperature																								
		65°F				75°F				85°F				95°F				105°F				115°F				
		59	63	67	71	59	63	67	71	59	63	67	71	59	63	67	71	59	63	67	71	59	63	67	71	
80	494	MBh	17.6	17.8	18.3	19.1	17.4	17.7	18.2	19.0	17.0	17.2	17.7	18.5	16.2	16.4	16.9	17.7	15.2	15.5	16.0	16.8	14.3	14.6	15.1	15.9
		S/T	1.00	0.78	0.64	0.5	1.00	0.79	0.65	0.5	1.00	1.00	0.67	0.5	1.00	1.00	0.69	0.5	1.00	1.00	0.72	0.6	1.00	1.00	1.00	0.6
		ΔT	18.61	17.41	15.17	12.9	18.58	17.38	15.14	12.8	18.75	17.55	15.31	13.0	18.57	17.37	15.13	12.8	18.41	17.21	14.97	12.6	19.16	17.96	15.72	13.4
		kW	0.95	0.95	0.94	1.0	1.06	1.06	1.06	1.1	1.19	1.19	1.19	1.2	1.33	1.33	1.33	1.3	1.48	1.48	1.48	1.5	1.67	1.66	1.66	1.7
		Amps	3.57	3.57	3.56	3.6	4.07	4.06	4.06	4.1	4.62	4.62	4.61	4.7	5.23	5.22	5.21	5.3	5.90	5.90	5.89	5.9	6.69	6.69	6.68	6.7
		Hi PR	232	233	235	238.7	269	270	271	275.4	307	308	310	313.8	348	349	351	355.1	393	394	396	399.7	441	442	443	447.3
	Lo PR	133	135	138	143.7	141	143	146	151.8	148	150	153	158.9	154	156	159	164.9	160	162	165	170.8	167	169	172	178.1	
	MBh	17.9	18.1	18.7	19.5	17.7	18.0	18.5	19.3	17.3	17.5	18.0	18.8	16.5	16.7	17.3	18.1	15.5	15.8	16.3	17.1	14.6	14.9	15.4	16.2	
	S/T	1.00	0.88	0.74	0.6	1.00	1.00	0.74	0.6	1.00	1.00	0.77	0.6	1.00	1.00	0.79	0.6	1.00	1.00	1.00	0.7	1.00	1.00	1.00	0.7	
	ΔT	17.54	16.34	14.10	11.8	17.51	16.31	14.07	11.7	17.68	16.48	14.24	11.9	17.49	16.30	14.06	11.7	17.33	16.13	13.90	11.6	18.09	16.89	14.65	12.3	
	kW	0.96	0.96	0.95	1.0	1.07	1.07	1.07	1.1	1.20	1.20	1.20	1.2	1.34	1.34	1.34	1.3	1.49	1.49	1.49	1.5	1.67	1.67	1.67	1.7	
	Amps	3.61	3.60	3.59	3.6	4.11	4.10	4.09	4.1	4.66	4.66	4.65	4.7	5.27	5.26	5.25	5.3	5.94	5.93	5.93	6.0	6.73	6.72	6.72	6.8	
Hi PR	235	236	238	241.6	272	273	274	278.2	310	311	313	316.6	351	352	354	358.0	396	397	398	402.5	443	444	446	450.1		
Lo PR	136	137	141	146.4	144	145	149	154.5	151	153	156	161.6	157	159	162	167.6	163	164	168	173.5	170	172	175	180.9		
MBh	18.0	18.3	18.8	19.6	17.9	18.1	18.6	19.4	17.4	17.6	18.2	19.0	16.6	16.9	17.4	18.2	15.6	15.9	16.4	17.2	14.8	15.0	15.5	16.3		
S/T	1.00	0.90	0.76	0.6	1.00	1.00	0.76	0.6	1.00	1.00	0.79	0.6	1.00	1.00	0.81	0.7	1.00	1.00	1.00	0.7	1.00	1.00	1.00	0.7		
ΔT	17.24	16.04	13.80	11.5	17.21	16.01	13.77	11.4	17.38	16.18	13.94	11.6	17.20	16.00	13.76	11.4	17.04	15.84	13.60	11.3	17.79	16.59	14.35	12.0		
kW	0.96	0.96	0.96	1.0	1.07	1.07	1.07	1.1	1.20	1.20	1.20	1.2	1.34	1.34	1.34	1.3	1.49	1.49	1.49	1.5	1.68	1.68	1.67	1.7		
Amps	3.62	3.61	3.61	3.6	4.12	4.11	4.10	4.1	4.67	4.67	4.66	4.7	5.28	5.27	5.26	5.3	5.95	5.94	5.94	6.0	6.74	6.73	6.73	6.8		
Hi PR	236	237	238	242.5	272	273	275	279.1	311	312	313	317.5	352	353	355	358.9	397	398	399	403.4	444	445	447	451.0		
Lo PR	137	138	142	147.4	145	146	150	155.5	152	154	157	162.6	158	160	163	168.6	164	165	169	174.5	171	173	176	181.9		
85	494	MBh	17.9	18.1	18.6	19.4	17.7	18.0	18.5	19.3	17.3	17.5	18.0	18.8	16.5	16.7	17.2	18.0	15.5	15.7	16.3	17.1	14.6	14.9	15.4	16.2
		S/T	1.00	1.00	0.75	0.6	1.00	1.00	0.75	0.6	1.00	1.00	0.78	0.6	1.00	1.00	1.00	0.7	1.00	1.00	1.00	0.7	1.00	1.00	1.00	0.7
		ΔT	20.97	19.77	17.53	15.2	20.93	19.73	17.50	15.2	21.10	19.90	17.66	15.3	20.92	19.72	17.48	15.2	20.76	19.56	17.32	15.0	21.51	20.31	18.07	15.8
		kW	0.95	0.95	0.95	1.0	1.06	1.06	1.06	1.1	1.19	1.19	1.19	1.2	1.33	1.33	1.33	1.3	1.49	1.48	1.48	1.5	1.67	1.67	1.66	1.7
		Amps	3.58	3.57	3.57	3.6	4.08	4.07	4.06	4.1	4.63	4.63	4.62	4.7	5.24	5.23	5.22	5.3	5.91	5.91	5.90	5.9	6.70	6.70	6.69	6.7
		Hi PR	233	234	236	239.8	270	271	272	276.5	308	309	311	314.9	350	351	352	356.2	394	395	397	400.8	442	443	444	448.4
	Lo PR	135	137	140	145.7	143	145	148	153.8	150	152	155	160.9	156	158	161	166.9	162	164	167	172.8	169	171	174	180.1	
	MBh	18.2	18.4	19.0	19.8	18.0	18.3	18.8	19.6	17.6	17.8	18.3	19.1	16.8	17.0	17.6	18.4	15.8	16.1	16.6	17.4	14.9	15.2	15.7	16.5	
	S/T	1.00	1.00	0.84	0.7	1.00	1.00	0.85	0.7	1.00	1.00	0.88	0.7	1.00	1.00	1.00	0.7	1.00	1.00	1.00	0.8	1.00	1.00	1.00	0.7	
	ΔT	19.90	18.70	16.46	14.1	19.86	18.66	16.42	14.1	20.03	18.83	16.59	14.3	19.85	18.65	16.41	14.1	19.69	18.49	16.25	13.9	20.44	19.24	17.00	14.7	
	kW	0.96	0.96	0.96	1.0	1.07	1.07	1.07	1.1	1.20	1.20	1.20	1.2	1.34	1.34	1.34	1.3	1.49	1.49	1.49	1.5	1.68	1.68	1.67	1.7	
	Amps	3.62	3.61	3.60	3.6	4.12	4.11	4.10	4.1	4.67	4.67	4.66	4.7	5.27	5.27	5.26	5.3	5.95	5.94	5.94	6.0	6.74	6.73	6.73	6.8	
Hi PR	236	237	239	242.7	273	274	275	279.3	311	312	314	317.7	352	353	355	359.1	397	398	400	403.6	445	446	447	451.2		
Lo PR	138	139	143	148.4	146	147	151	156.5	153	155	158	163.6	159	161	164	169.6	165	166	170	175.5	172	174	177	182.9		
MBh	18.3	18.6	19.1	19.9	18.2	18.4	18.9	19.7	17.7	17.9	18.5	19.3	16.9	17.2	17.7	18.5	15.9	16.2	16.7	17.5	15.1	15.3	15.8	16.6		
S/T	1.00	1.00	0.86	0.7	1.00	1.00	0.87	0.7	1.00	1.00	0.90	0.7	1.00	1.00	1.00	0.8	1.00	1.00	1.00	0.8	1.00	1.00	1.00	0.7		
ΔT	19.60	18.40	16.16	13.8	19.56	18.36	16.12	13.8	19.73	18.53	16.29	14.0	19.55	18.35	16.11	13.8	19.39	18.19	15.95	13.6	20.14	18.94	16.70	14.4		
kW	0.96	0.96	0.96	1.0	1.08	1.07	1.07	1.1	1.20	1.20	1.20	1.2	1.34	1.34	1.34	1.3	1.50	1.50	1.49	1.5	1.68	1.68	1.68	1.7		
Amps	3.63	3.62	3.62	3.7	4.13	4.12	4.11	4.2	4.68	4.68	4.67	4.7	5.29	5.28	5.27	5.3	5.96	5.95	5.95	6.0	6.75	6.74	6.74	6.8		
Hi PR	237	238	240	243.6	274	275	276	280.2	312	313	315	318.6	353	354	356	360.0	398	399	400	404.5	445	446	448	452.1		
Lo PR	139	140	144	149.4	147	148	152	157.5	154	156	159	164.6	160	162	165	170.6	166	167	171	176.5	173	175	178	183.9		

IDB: Entering Indoor Dry Bulb Temperature  
 High and low pressures are measured at the liquid and suction access fittings.  
 Design Subcooling 8 ±2 °F @ the liquid access fitting connection AHR1 95 test conditions. Design Superheat 15 ±2 °F @ the compressor suction access fitting connection.  
 Shaded area reflects AHR1 conditions.  
 kW = Total system power  
 Amps = outdoor unit amps (comp.+fan)



EXPANDED COOLING DATA — DP5HM3041\*\* (HIGH STAGE)

IDB	AIRFLOW	OUTDOOR AMBIENT TEMPERATURE												ENTERING INDOOR WET BULB TEMPERATURE												
		65°F				75°F				85°F				95°F				105°F				115°F				
		59	63	67	71	59	63	67	71	59	63	67	71	59	63	67	71	59	63	67	71	59	63	67	71	
70	875	MBh	29.9	30.3	31.2	-	29.6	30.1	30.9	-	28.8	29.3	30.2	-	27.5	27.9	28.8	-	25.8	26.3	27.2	-	24.3	24.8	25.7	-
		S/T	0.59	0.51	0.37	-	0.59	0.52	0.38	-	0.62	0.54	0.40	-	1.00	0.56	0.42	-	1.00	0.58	0.45	-	1.00	0.64	0.50	-
		ΔT	17.33	15.76	12.83	-	17.29	15.72	12.79	-	17.51	15.94	13.01	-	17.27	15.70	12.77	-	17.06	15.49	12.56	-	18.04	16.47	13.54	-
		kW	1.85	1.85	1.84	-	2.07	2.07	2.07	-	2.33	2.32	2.32	-	2.60	2.60	2.59	-	2.90	2.90	2.90	-	3.26	3.26	3.25	-
		Amps	6.85	6.84	6.82	-	7.83	7.82	7.80	-	8.92	8.92	8.90	-	10.11	10.10	10.08	-	11.43	11.42	11.41	-	12.98	12.98	12.96	-
		Hi PR	255	256	258	-	295	296	298	-	337	339	340	-	383	384	386	-	432	433	435	-	484	486	487	-
	Lo PR	125	127	130	-	133	134	138	-	140	141	144	-	145	147	150	-	151	152	156	-	158	159	162	-	
	1050	MBh	30.4	30.8	31.7	-	30.1	30.6	31.5	-	29.4	29.8	30.7	-	28.0	28.4	29.3	-	26.4	26.8	27.7	-	24.9	25.3	26.2	-
		S/T	0.68	0.60	0.46	-	0.68	0.60	0.47	-	0.71	0.63	0.49	-	1.00	0.65	0.51	-	1.00	0.67	0.53	-	1.00	0.72	0.59	-
		ΔT	16.02	14.45	11.52	-	15.97	14.41	11.48	-	16.19	14.63	11.70	-	15.96	14.39	11.46	-	15.75	14.18	11.25	-	16.73	15.16	12.23	-
		kW	1.86	1.86	1.86	-	2.09	2.09	2.08	-	2.34	2.34	2.34	-	2.61	2.61	2.61	-	2.92	2.92	2.91	-	3.28	3.27	3.27	-
		Amps	6.92	6.91	6.89	-	7.90	7.89	7.88	-	8.99	8.99	8.97	-	10.18	10.17	10.15	-	11.50	11.49	11.48	-	13.05	13.05	13.03	-
Hi PR		258	259	261	-	298	299	301	-	340	342	343	-	386	387	389	-	435	436	438	-	487	488	490	-	
Lo PR	128	129	132	-	135	137	140	-	142	144	147	-	148	149	152	-	153	155	158	-	160	162	165	-		
1125	MBh	30.7	31.1	32.0	-	30.4	30.8	31.7	-	29.6	30.0	30.9	-	28.3	28.7	29.6	-	26.6	27.0	27.9	-	25.1	25.5	26.4	-	
	S/T	0.70	0.62	0.48	-	0.70	0.63	0.49	-	0.73	0.65	0.52	-	1.00	0.67	0.53	-	1.00	0.69	0.56	-	1.00	0.75	0.61	-	
	ΔT	15.55	13.98	11.05	-	15.50	13.94	11.01	-	15.72	14.16	11.23	-	15.49	13.92	10.99	-	15.28	13.71	10.78	-	16.26	14.69	11.76	-	
	kW	1.87	1.87	1.86	-	2.10	2.09	2.09	-	2.35	2.35	2.34	-	2.62	2.62	2.61	-	2.92	2.92	2.92	-	3.28	3.28	3.28	-	
	Amps	6.94	6.94	6.92	-	7.92	7.92	7.90	-	9.02	9.01	8.99	-	10.20	10.20	10.18	-	11.53	11.52	11.50	-	13.08	13.07	13.05	-	
	Hi PR	259	260	262	-	299	300	302	-	342	343	345	-	387	388	390	-	436	437	439	-	489	490	491	-	
Lo PR	129	130	134	-	136	138	141	-	143	145	148	-	149	150	154	-	154	156	159	-	161	163	166	-		
75	875	MBh	29.9	30.3	31.2	32.6	29.6	30.1	31.0	32.3	28.9	29.3	30.2	31.6	27.5	27.9	28.8	30.2	25.9	26.3	27.2	28.6	24.4	24.8	25.7	27.1
		S/T	0.72	0.64	0.50	0.4	0.72	0.65	0.51	0.4	1.00	0.67	0.54	0.4	1.00	0.69	0.56	0.4	1.00	0.71	0.58	0.4	1.00	1.00	0.63	0.5
		ΔT	20.78	19.21	16.28	13.2	20.74	19.17	16.24	13.2	20.96	19.39	16.46	13.4	20.72	19.15	16.22	13.2	20.51	18.94	16.01	13.0	21.49	19.92	16.99	14.0
		kW	1.84	1.84	1.84	1.9	2.07	2.07	2.07	2.1	2.32	2.32	2.32	2.3	2.60	2.59	2.59	2.6	2.90	2.90	2.90	2.9	3.26	3.26	3.25	3.3
		Amps	6.84	6.83	6.82	6.9	7.82	7.82	7.80	7.9	8.92	8.91	8.89	9.0	10.10	10.09	10.08	10.2	11.42	11.42	11.40	11.5	12.98	12.97	12.95	13.0
		Hi PR	255	256	258	262.5	295	297	298	302.8	338	339	341	345.1	383	384	386	390.6	432	433	435	439.6	485	486	488	492.0
	Lo PR	125	127	130	135.3	133	134	138	143.0	140	141	144	149.7	145	147	150	155.3	151	152	156	160.9	158	159	162	167.9	
	1050	MBh	30.4	30.8	31.7	33.1	30.2	30.6	31.5	32.8	29.4	29.8	30.7	32.1	28.0	28.4	29.3	30.7	26.4	26.8	27.7	29.1	24.9	25.3	26.2	27.6
		S/T	0.81	0.73	0.59	0.4	1.00	0.74	0.60	0.5	1.00	0.76	0.62	0.5	1.00	0.78	0.64	0.5	1.00	1.00	0.67	0.5	1.00	1.00	0.72	0.6
		ΔT	19.47	17.90	14.97	11.9	19.42	17.85	14.93	11.9	19.64	18.08	15.15	12.1	19.41	17.84	14.91	11.9	19.20	17.63	14.70	11.7	20.18	18.61	15.68	12.6
		kW	1.86	1.86	1.86	1.9	2.09	2.09	2.08	2.1	2.34	2.34	2.33	2.4	2.61	2.61	2.61	2.6	2.92	2.92	2.91	2.9	3.27	3.27	3.27	3.3
		Amps	6.91	6.91	6.89	7.0	7.89	7.89	7.87	7.9	8.99	8.98	8.96	9.0	10.17	10.16	10.15	10.2	11.49	11.49	11.47	11.5	13.05	13.04	13.02	13.1
Hi PR		258	259	261	265.4	298	299	301	305.8	341	342	344	348.0	386	387	389	393.5	435	436	438	442.6	488	489	490	494.9	
Lo PR	128	129	132	137.8	135	137	140	145.4	142	144	147	152.1	148	149	152	157.8	153	155	158	163.3	160	162	165	170.3		
1125	MBh	30.7	31.1	32.0	33.4	30.4	30.8	31.7	33.1	29.6	30.1	31.0	32.3	28.3	28.7	29.6	31.0	26.6	27.1	28.0	29.3	25.1	25.6	26.5	27.8	
	S/T	0.83	0.75	0.61	0.5	1.00	0.76	0.62	0.5	1.00	0.78	0.65	0.5	1.00	0.80	0.67	0.5	1.00	1.00	0.69	0.5	1.00	1.00	0.74	0.6	
	ΔT	19.00	17.43	14.50	11.5	18.95	17.38	14.46	11.4	19.17	17.61	14.68	11.6	18.94	17.37	14.44	11.4	18.73	17.16	14.23	11.2	19.71	18.14	15.21	12.2	
	kW	1.87	1.87	1.86	1.9	2.09	2.09	2.09	2.1	2.35	2.34	2.34	2.4	2.62	2.62	2.61	2.6	2.92	2.92	2.92	2.9	3.28	3.28	3.27	3.3	
	Amps	6.94	6.93	6.91	7.0	7.92	7.91	7.89	8.0	9.01	9.00	8.99	9.1	10.20	10.19	10.17	10.2	11.52	11.51	11.50	11.6	13.07	13.06	13.05	13.1	
	Hi PR	259	260	262	266.6	300	301	302	307.0	342	343	345	349.2	387	388	390	394.7	436	438	439	443.8	489	490	492	496.2	
Lo PR	129	130	134	138.9	136	138	141	146.5	143	145	148	153.2	149	150	154	158.9	154	156	159	164.5	161	163	166	171.4		

IDB: Entering Indoor Dry Bulb Temperature  
 High and low pressures are measured at the liquid and suction access fittings.  
 Design Subcooling 8 ±2 °F @ the liquid access fitting connection AHR1 95 test conditions. Design Superheat 15 ±2 °F @ the compressor suction access fitting connection.  
 Shaded area reflects ACCA (TVA) conditions.  
 kW = Total system power  
 Amps = outdoor unit amps (comp. +fan)



EXPANDED COOLING DATA — DP5HM3041\*\* (HIGH STAGE) (CONT.)

IDB	AIRFLOW	OUTDOOR AMBIENT TEMPERATURE												105°F												115°F															
		65°F						75°F						85°F						95°F						105°F						115°F									
		59	63	67	71	75	79	59	63	67	71	75	79	59	63	67	71	75	79	59	63	67	71	75	79	59	63	67	71	75	79	59	63	67	71	75	79				
80	MBh	30.1	30.5	31.4	32.8	29.8	30.2	31.1	32.5	29.0	29.4	30.3	31.7	27.7	28.1	29.0	30.4	26.0	26.4	27.3	28.7	24.5	24.9	25.8	27.2	26.0	26.4	27.3	28.7	24.5	24.9	25.8	27.2	24.5	24.9	25.8	27.2	24.5	24.9	25.8	27.2
	S/T	1.00	0.77	0.63	0.5	1.00	0.80	0.66	0.5	1.00	0.80	0.66	0.5	1.00	1.00	0.68	0.5	1.00	1.00	0.70	0.6	1.00	1.00	0.76	0.6	1.00	1.00	0.70	0.6	1.00	1.00	0.76	0.6	1.00	1.00	0.76	0.6	1.00	1.00	0.76	0.6
	ΔT	24.25	22.68	19.75	16.7	24.21	22.64	19.71	16.7	24.43	22.86	19.93	16.9	24.19	22.62	19.69	16.7	23.98	22.41	19.48	16.4	24.97	23.40	20.47	17.4	23.98	22.41	19.48	16.4	24.97	23.40	20.47	17.4	24.97	23.40	20.47	17.4	24.97	23.40	20.47	17.4
	kW	1.85	1.85	1.84	1.9	2.07	2.07	2.07	2.1	2.33	2.32	2.32	2.3	2.60	2.60	2.59	2.6	2.90	2.90	2.90	2.9	3.26	3.26	3.25	3.3	2.90	2.90	2.90	2.9	3.26	3.26	3.25	3.3	3.26	3.26	3.25	3.3	3.26	3.26	3.25	3.3
	Amps	6.85	6.84	6.82	6.9	7.83	7.82	7.80	7.9	8.92	8.91	8.90	9.0	10.11	10.10	10.08	10.2	11.43	11.42	11.41	11.5	12.98	12.97	12.96	13.0	11.43	11.42	11.41	11.5	12.98	12.97	12.96	13.0	12.98	12.97	12.96	13.0	12.98	12.97	12.96	13.0
	Hi PR	256	257	258	262.9	296	297	299	303.3	338	339	341	345.5	384	385	387	391.1	433	434	436	440.1	485	486	488	492.5	433	434	436	440.1	485	486	488	492.5	485	486	488	492.5	485	486	488	492.5
	Lo PR	126	127	131	135.9	133	135	138	143.5	140	142	145	150.2	146	147	151	155.9	151	153	156	161.4	158	160	163	168.4	151	153	156	161.4	158	160	163	168.4	158	160	163	168.4	158	160	163	168.4
	MBh	30.6	31.0	31.9	33.3	30.3	30.7	31.6	33.0	29.5	30.0	30.8	32.2	28.2	28.6	29.5	30.9	26.5	27.0	27.9	29.2	25.0	25.5	26.3	27.7	26.5	27.0	27.9	29.2	25.0	25.5	26.3	27.7	25.0	25.5	26.3	27.7	25.0	25.5	26.3	27.7
	S/T	1.00	0.86	0.72	0.6	1.00	0.86	0.73	0.6	1.00	0.89	0.75	0.6	1.00	1.00	0.77	0.6	1.00	1.00	0.79	0.6	1.00	1.00	0.84	0.7	1.00	1.00	0.79	0.6	1.00	1.00	0.84	0.7	1.00	1.00	0.84	0.7	1.00	1.00	0.84	0.7
	ΔT	22.94	21.37	18.44	15.4	22.90	21.33	18.40	15.4	23.12	21.55	18.62	15.6	22.88	21.31	18.38	15.3	22.67	21.10	18.17	15.1	23.65	22.08	19.15	16.1	22.67	21.10	18.17	15.1	23.65	22.08	19.15	16.1	23.65	22.08	19.15	16.1	23.65	22.08	19.15	16.1
kW	1.86	1.86	1.86	1.9	2.09	2.09	2.08	2.1	2.34	2.34	2.34	2.4	2.61	2.61	2.61	2.6	2.92	2.92	2.91	2.9	3.28	3.27	3.27	3.3	2.92	2.92	2.91	2.9	3.28	3.27	3.27	3.3	3.28	3.27	3.27	3.3	3.28	3.27	3.27	3.3	
Amps	6.92	6.91	6.89	7.0	7.90	7.89	7.87	7.9	8.99	8.98	8.97	9.0	10.18	10.17	10.15	10.2	11.50	11.49	11.48	11.6	13.05	13.04	13.03	13.1	11.50	11.49	11.48	11.6	13.05	13.04	13.03	13.1	13.05	13.04	13.03	13.1	13.05	13.04	13.03	13.1	
Hi PR	259	260	261	265.9	299	300	302	306.2	341	342	344	348.5	387	388	390	394.0	436	437	439	443.1	488	489	491	495.4	341	342	344	348.5	436	437	439	443.1	488	489	491	495.4	488	489	491	495.4	
Lo PR	128	130	133	138.3	136	137	141	146.0	143	144	147	152.7	148	150	153	158.3	154	155	159	163.9	161	162	165	170.9	143	144	147	152.7	161	162	165	170.9	161	162	165	170.9	161	162	165	170.9	
MBh	30.8	31.3	32.2	33.5	30.6	31.0	31.9	33.3	29.8	30.2	31.1	32.5	28.4	28.9	29.8	31.1	26.8	27.2	28.1	29.5	25.3	25.7	26.6	28.0	26.8	27.2	28.1	29.5	25.3	25.7	26.6	28.0	25.3	25.7	26.6	28.0	25.3	25.7	26.6	28.0	
S/T	1.00	0.88	0.74	0.6	1.00	0.89	0.75	0.6	1.00	0.91	0.77	0.6	1.00	1.00	0.79	0.6	1.00	1.00	0.82	0.7	1.00	1.00	0.87	0.7	1.00	1.00	0.82	0.7	1.00	1.00	0.87	0.7	1.00	1.00	0.87	0.7	1.00	1.00	0.87	0.7	
ΔT	22.47	20.90	17.97	14.9	22.43	20.86	17.93	14.9	22.65	21.08	18.15	15.1	22.41	20.84	17.91	14.9	22.20	20.63	17.70	14.7	23.18	21.61	18.68	15.7	22.20	20.63	17.70	14.7	23.18	21.61	18.68	15.7	23.18	21.61	18.68	15.7	23.18	21.61	18.68	15.7	
kW	1.87	1.87	1.86	1.9	2.10	2.09	2.09	2.1	2.35	2.35	2.34	2.4	2.62	2.62	2.61	2.6	2.92	2.92	2.92	2.9	3.28	3.28	3.28	3.3	2.92	2.92	2.92	2.9	3.28	3.28	3.28	3.3	3.28	3.28	3.28	3.3	3.28	3.28	3.28	3.3	
Amps	6.94	6.94	6.92	7.0	7.92	7.92	7.90	8.0	9.02	9.01	8.99	9.1	10.20	10.19	10.18	10.3	11.53	11.52	11.50	11.6	13.08	13.07	13.05	13.1	11.53	11.52	11.50	11.6	13.08	13.07	13.05	13.1	13.08	13.07	13.05	13.1	13.08	13.07	13.05	13.1	
Hi PR	260	261	263	267.1	300	301	303	307.4	342	343	345	349.7	388	389	391	395.2	437	438	440	444.3	489	490	492	496.6	342	343	345	349.7	437	438	440	444.3	489	490	492	496.6	489	490	492	496.6	
Lo PR	129	131	134	139.4	137	139	142	147.1	144	145	148	153.8	149	151	154	159.5	155	156	160	165.0	162	163	167	172.0	144	145	148	153.8	162	163	167	172.0	162	163	167	172.0	162	163	167	172.0	
85	MBh	30.6	31.0	31.9	33.3	30.3	30.7	31.6	33.0	29.5	29.9	30.8	32.2	28.2	28.6	29.5	30.9	26.5	26.9	27.8	29.2	25.0	25.4	26.3	27.7	26.5	26.9	27.8	29.2	25.0	25.4	26.3	27.7	25.0	25.4	26.3	27.7	25.0	25.4	26.3	27.7
	S/T	1.00	0.87	0.73	0.6	1.00	1.00	0.74	0.6	1.00	1.00	0.77	0.6	1.00	1.00	0.78	0.6	1.00	1.00	0.81	0.7	1.00	1.00	0.87	0.7	1.00	1.00	0.81	0.7	1.00	1.00	0.87	0.7	1.00	1.00	0.87	0.7	1.00	1.00	0.87	0.7
	ΔT	27.33	25.76	22.83	19.8	27.29	25.72	22.79	19.8	27.51	25.94	23.01	20.0	27.27	25.70	22.77	19.7	27.06	25.49	22.57	19.5	28.05	26.48	23.55	20.5	27.06	25.49	22.57	19.5	28.05	26.48	23.55	20.5	28.05	26.48	23.55	20.5	28.05	26.48	23.55	20.5
	kW	1.85	1.85	1.85	1.9	2.08	2.08	2.07	2.1	2.33	2.33	2.32	2.3	2.60	2.60	2.60	2.6	2.91	2.90	2.90	2.9	3.26	3.26	3.26	3.3	2.91	2.90	2.90	2.9	3.26	3.26	3.26	3.3	3.26	3.26	3.26	3.3	3.26	3.26	3.26	3.3
	Amps	6.87	6.86	6.84	6.9	7.85	7.84	7.82	7.9	8.94	8.93	8.92	9.0	10.13	10.12	10.10	10.2	11.45	11.44	11.42	11.5	13.00	12.99	12.98	13.1	11.45	11.44	11.42	11.5	13.00	12.99	12.98	13.1	13.00	12.99	12.98	13.1	13.00	12.99	12.98	13.1
	Hi PR	257	258	260	264.1	297	298	300	304.5	339	340	342	346.7	385	386	388	392.3	434	435	437	441.3	486	487	489	493.7	339	340	342	346.7	434	435	437	441.3	486	487	489	493.7	486	487	489	493.7
	Lo PR	128	129	132	137.8	135	137	140	145.4	142	144	147	152.1	148	149	152	157.8	153	155	158	163.3	160	162	165	170.3	142	144	147	152.1	160	162	165	170.3	160	162	165	170.3	160	162	165	170.3
	MBh	31.1	31.5	32.4	33.8	30.8	31.2	32.1	33.5	30.0	30.5	31.4	32.7	28.7	29.1	30.0	31.4	27.0	27.5	28.4	29.7	25.5	26.0	26.9	28.2	27.0	27.5	28.4	29.7	25.5	26.0	26.9	28.2	25.5	26.0	26.9	28.2	25.5	26.0	26.9	28.2
	S/T	1.00	0.96	0.82	0.7	1.00	1.00	0.83	0.7	1.00	1.00	0.85	0.7	1.00	1.00	0.87	0.7	1.00	1.00	0.80	0.8	1.00	1.00	0.87	0.7	1.00	1.00	0.80	0.8	1.00	1.00	0.87	0.7	1.00	1.00	0.87	0.7	1.00	1.00	0.87	0.7
	ΔT	26.02	24.45	21.52	18.5	25.98	24.41	21.48	18.4	26.20	24.63	21.70	18.7	25.96	24.39	21.46	18.4	25.75	24.18	21.25	18.2	26.73	25.16	22.24	19.2	25.75	24.18	21.25	18.2	26.73	25.16	22.24	19.2	26.73	25.16	22.24	19.2	26.73	25.16	22.24	19.2
kW	1.87	1.87	1.87	1.9	2.09	2.09	2.09	2.1	2.35	2.34	2.34	2.4	2.62	2.62	2.61	2.6	2.92</																								

EXPANDED COOLING DATA — DP5HM3041\*\* (LOW STAGE)

IDB	AIRFLOW	OUTDOOR AMBIENT TEMPERATURE												105°F												115°F											
		65°F						75°F						85°F						95°F						105°F						115°F					
		59	63	67	71	59	63	67	71	59	63	67	71	59	63	67	71	59	63	67	71	59	63	67	71	59	63	67	71	59	63	67	71				
70	604	MBh	21.5	21.8	22.5	23.4	21.3	21.6	22.3	23.2	20.8	21.1	21.7	22.7	19.8	20.1	20.7	21.7	19.8	20.1	20.7	21.7	18.6	18.9	19.5	20.5	17.5	17.8	18.5	19.5							
		S/T	0.74	0.66	0.52	0.4	1.00	0.66	0.52	0.4	1.00	0.69	0.55	0.4	1.00	0.71	0.57	0.4	1.00	0.71	0.57	0.4	1.00	1.00	0.60	0.59	0.4	1.00	1.00	0.65	0.5						
		ΔT	20.05	18.54	15.71	12.8	20.01	18.50	15.67	12.7	20.22	18.71	15.88	13.0	19.99	18.48	15.65	12.7	19.79	18.28	15.45	12.5	20.74	19.23	16.40	13.5	20.74	19.23	16.40	13.5							
		kW	1.16	1.16	1.16	1.2	1.30	1.30	1.30	1.3	1.46	1.46	1.46	1.5	1.63	1.63	1.63	1.6	1.82	1.82	1.82	1.8	2.05	2.05	2.05	2.1	2.05	2.05	2.05	2.1							
		Amps	4.30	4.30	4.29	4.3	4.92	4.92	4.91	5.0	5.61	5.60	5.59	5.6	6.35	6.35	6.34	6.4	7.19	7.18	7.17	7.2	8.16	8.16	8.15	8.2	8.16	8.16	8.15	8.2							
		Hi PR	244	245	246	246	282	283	285	285	323	324	324	325	329.9	366	367	369	373.4	413	414	416	420.3	463	464	466	470.4	463	464	466	470.4						
	Lo PR	129	130	134	134	137	138	141	141	146	148	151	152	153.9	149	151	154	159.7	155	157	160	165.4	162	164	167	172.6	162	164	167	172.6							
	775	MBh	21.9	22.2	22.8	23.0	21.7	22.0	22.6	23.6	21.1	21.4	22.1	23.1	20.1	20.5	21.1	22.1	19.0	19.3	19.9	20.9	17.9	18.2	18.8	19.8	17.9	18.2	18.8	19.8							
		S/T	0.72	0.64	0.50	0.50	0.72	0.64	0.50	0.50	1.00	0.67	0.53	0.5	1.00	0.69	0.55	0.5	1.00	0.71	0.57	0.5	1.00	1.00	0.63	0.5	1.00	1.00	0.63	0.5							
		ΔT	15.00	13.49	10.66	10.66	14.96	13.45	10.62	10.62	15.17	13.66	10.83	10.83	14.95	13.43	10.61	10.61	14.74	13.23	10.40	10.40	15.69	14.18	11.35	11.35	15.69	14.18	11.35	11.35							
		kW	1.18	1.18	1.17	1.17	1.31	1.31	1.31	1.31	1.48	1.48	1.47	1.47	1.65	1.65	1.64	1.64	1.84	1.84	1.84	1.84	2.06	2.06	2.06	2.06	2.06	2.06	2.06	2.06							
		Amps	4.35	4.35	4.34	4.34	4.97	4.96	4.95	4.95	5.66	5.65	5.64	5.64	6.40	6.40	6.39	6.39	7.23	7.23	7.23	7.23	8.21	8.21	8.20	8.20	8.21	8.21	8.20	8.20							
Hi PR		246	248	249	249	285	286	288	288	325	327	328	328	329	370	371	372	373.4	416	417	419	420.3	466	467	469	474.3	466	467	469	474.3							
Lo PR	131	133	136	136	139	141	144	144	146	148	151	152	153.9	149	151	154	159.7	155	157	160	165.4	162	164	167	172.6	162	164	167	172.6								
75	604	MBh	21.5	21.8	22.5	23.4	21.3	21.6	22.3	23.2	20.8	21.1	21.7	22.7	19.8	20.1	20.7	21.7	19.8	20.1	20.7	21.7	18.6	18.9	19.5	20.5	17.5	17.8	18.5	19.5							
		S/T	0.74	0.66	0.52	0.4	1.00	0.66	0.52	0.4	1.00	0.69	0.55	0.4	1.00	0.71	0.57	0.4	1.00	0.71	0.57	0.4	1.00	1.00	0.60	0.59	0.4	1.00	1.00	0.65	0.5						
		ΔT	20.05	18.54	15.71	12.8	20.01	18.50	15.67	12.7	20.22	18.71	15.88	13.0	19.99	18.48	15.65	12.7	19.79	18.28	15.45	12.5	20.74	19.23	16.40	13.5	20.74	19.23	16.40	13.5							
		kW	1.16	1.16	1.16	1.2	1.30	1.30	1.30	1.3	1.46	1.46	1.46	1.5	1.63	1.63	1.63	1.6	1.82	1.82	1.82	1.8	2.05	2.05	2.05	2.1	2.05	2.05	2.05	2.1							
		Amps	4.30	4.30	4.29	4.3	4.92	4.92	4.91	5.0	5.61	5.60	5.59	5.6	6.35	6.35	6.34	6.4	7.19	7.18	7.17	7.2	8.16	8.16	8.15	8.2	8.16	8.16	8.15	8.2							
		Hi PR	244	245	246	246	282	283	285	285	323	324	324	325	329.9	366	367	369	373.4	413	414	416	420.3	463	464	466	470.4	463	464	466	470.4						
	Lo PR	129	130	134	134	137	138	141	141	146	148	151	152	153.9	149	151	154	159.7	155	157	160	165.4	162	164	167	172.6	162	164	167	172.6							
	775	MBh	21.9	22.2	22.8	23.0	21.7	22.0	22.6	23.6	21.1	21.4	22.1	23.1	20.1	20.5	21.1	22.1	19.0	19.3	19.9	20.9	17.9	18.2	18.8	19.8	17.9	18.2	18.8	19.8							
		S/T	0.83	0.75	0.61	0.5	1.00	0.76	0.61	0.5	1.00	0.78	0.64	0.5	1.00	0.80	0.66	0.5	1.00	0.80	0.66	0.5	1.00	1.00	0.74	0.6	1.00	1.00	0.74	0.6							
		ΔT	18.79	17.27	14.44	11.5	18.74	17.23	14.40	11.5	18.96	17.44	14.62	11.7	18.73	17.21	14.39	11.5	18.53	17.01	14.19	11.3	19.47	17.96	15.13	12.2	19.47	17.96	15.13	12.2							
		kW	1.17	1.17	1.17	1.2	1.31	1.31	1.31	1.3	1.47	1.47	1.47	1.5	1.64	1.64	1.64	1.64	1.83	1.83	1.83	1.83	2.06	2.06	2.06	2.1	2.06	2.06	2.06	2.1							
		Amps	4.35	4.34	4.33	4.4	4.96	4.96	4.95	5.0	5.65	5.65	5.64	5.7	6.40	6.39	6.38	6.38	7.23	7.23	7.23	7.23	8.21	8.20	8.19	8.2	8.21	8.20	8.19	8.2							
Hi PR		247	248	249	253.7	285	286	288	292.3	326	327	328	332.7	369	370	372	376.2	416	417	419	423.1	466	467	469	473.2	466	467	469	473.2								
Lo PR	131	133	136	141.6	139	141	144	149.5	146	148	151	156.4	152	153	157	162.2	158	159	162	167.9	165	166	167	172.6	165	166	167	172.6									
777	MBh	22.1	22.4	23.0	24.0	21.9	22.2	22.8	23.8	21.3	21.6	22.3	23.2	20.3	20.6	21.3	22.3	19.2	19.5	20.1	21.1	18.1	18.4	19.0	20.0	18.1	18.4	19.0	20.0								
	S/T	0.85	0.77	0.63	0.5	1.00	0.78	0.64	0.5	1.00	0.80	0.66	0.5	1.00	0.82	0.68	0.5	1.00	0.82	0.68	0.5	1.00	1.00	0.76	0.6	1.00	1.00	0.76	0.6								
	ΔT	18.33	16.82	13.99	11.1	18.29	16.78	13.95	11.0	18.50	16.99	14.16	11.2	18.27	16.76	13.93	11.0	18.07	16.56	13.73	10.8	19.02	17.51	14.68	11.8	19.02	17.51	14.68	11.8								
	kW	1.18	1.17	1.17	1.2	1.32	1.32	1.31	1.3	1.48	1.47	1.47	1.5	1.65	1.65	1.64	1.64	1.84	1.84	1.84	1.83	2.06	2.06	2.06	2.1	2.06	2.06	2.06	2.1								
	Amps	4.36	4.36	4.35	4.4	4.98	4.98	4.97	5.0	5.67	5.66	5.65	5.7	6.41	6.41	6.40	6.40	7.25	7.24	7.23	7.23	8.22	8.22	8.21	8.3	8.22	8.22	8.21	8.3								
	Hi PR	248	249	251	254.9	286	287	289	293.4	327	328	330	333.9	370	371	373	377.4	417	418	420	424.3	467	468	470	474.3	467	468	470	474.3								
Lo PR	132	134	137	142.8	140	142	145	150.6	147	149	152	157.5	153	155	158	163.4	159	160	164	169.1	166	167	171	176.2	166	167	171	176.2									

IDB: Entering Indoor Dry Bulb Temperature  
 High and low pressures are measured at the liquid and suction access fittings.  
 Design Subcooling 8 ± 2 °F @ the liquid access fitting connection AHR1 95 test conditions. Design Superheat 15 ± 2 °F @ the compressor suction access fitting connection.  
 Shaded area reflects ACCA (TVA) conditions.  
 kW = Total system power  
 Amps = outdoor unit amps (comp. + fan)



EXPANDED COOLING DATA — DP5HM3641\*\* (HIGH STAGE)

IDB	AIRFLOW	OUTDOOR AMBIENT TEMPERATURE												ENTERING INDOOR WET BULB TEMPERATURE												
		65°F				75°F				85°F				95°F				105°F				115°F				
		59	63	67	71	59	63	67	71	59	63	67	71	59	63	67	71	59	63	67	71	59	63	67	71	
70	1050	MBh	34.6	35.1	36.1	-	34.3	34.8	35.8	-	33.4	33.9	34.9	-	31.8	32.3	33.3	-	29.9	30.4	31.4	-	28.2	28.7	29.7	-
		S/T	0.61	0.54	0.40	-	0.62	0.54	0.41	-	1.00	0.57	0.43	-	1.00	0.59	0.45	-	1.00	0.61	0.47	-	1.00	1.00	0.53	-
		ΔT	11.50	10.43	8.45	-	11.47	10.40	8.42	-	11.62	10.55	8.57	-	11.46	10.39	8.41	-	11.31	10.25	8.27	-	11.98	10.92	8.93	-
		kW	2.14	2.14	2.14	-	2.40	2.40	2.39	-	2.69	2.69	2.68	-	3.00	3.00	2.99	-	3.35	3.34	3.34	-	3.75	3.75	3.75	-
		Amps	7.94	7.93	7.92	-	9.06	9.05	9.04	-	10.31	10.30	10.29	-	11.67	11.66	11.64	-	13.18	13.17	13.15	-	14.95	14.94	14.92	-
		Hi PR	250	251	253	-	289	290	292	-	331	332	333	-	375	376	378	-	423	424	426	-	474	475	477	-
	Lo PR	129	130	134	-	137	138	141	-	143	145	148	-	149	151	154	-	155	157	160	-	162	164	167	-	
	1200	MBh	35.0	35.5	36.6	-	34.7	35.2	36.3	-	33.8	34.3	35.4	-	32.3	32.8	33.8	-	30.4	30.9	31.9	-	28.6	29.1	30.2	-
		S/T	0.68	0.60	0.46	-	0.68	0.60	0.47	-	1.00	0.63	0.49	-	1.00	0.65	0.51	-	1.00	0.67	0.53	-	1.00	1.00	0.59	-
		ΔT	10.85	9.79	7.80	-	10.82	9.76	7.78	-	10.97	9.91	7.93	-	10.81	9.75	7.76	-	10.67	9.61	7.62	-	11.34	10.27	8.29	-
		kW	2.16	2.15	2.15	-	2.41	2.41	2.41	-	2.70	2.70	2.69	-	3.01	3.01	3.01	-	3.36	3.36	3.35	-	3.77	3.77	3.76	-
		Amps	8.00	7.99	7.97	-	9.12	9.11	9.09	-	10.37	10.36	10.34	-	11.72	11.71	11.70	-	13.23	13.23	13.21	-	15.01	15.00	14.98	-
Hi PR		252	253	255	-	291	293	294	-	333	334	336	-	377	378	380	-	425	426	428	-	476	477	479	-	
Lo PR	133	134	138	-	138	140	143	-	145	147	150	-	151	153	156	-	157	158	162	-	164	166	169	-		
1350	MBh	35.6	36.1	37.1	-	35.3	35.8	36.8	-	34.4	34.9	35.9	-	32.8	33.3	34.3	-	30.9	31.4	32.4	-	29.2	29.7	30.7	-	
	S/T	0.71	0.63	0.50	-	0.72	0.64	0.50	-	1.00	0.66	0.53	-	1.00	0.68	0.55	-	1.00	0.71	0.57	-	1.00	1.00	0.62	-	
	ΔT	10.31	9.25	7.26	-	10.28	9.22	7.24	-	10.43	9.37	7.38	-	10.27	9.21	7.22	-	10.13	9.07	7.08	-	10.80	9.73	7.75	-	
	kW	2.17	2.17	2.16	-	2.43	2.42	2.42	-	2.71	2.71	2.71	-	3.02	3.02	3.02	-	3.37	3.37	3.36	-	3.78	3.78	3.77	-	
	Amps	8.05	8.04	8.02	-	9.17	9.16	9.14	-	10.42	10.41	10.39	-	11.77	11.76	11.74	-	13.28	13.27	13.26	-	15.06	15.05	15.03	-	
	Hi PR	254	255	257	-	294	295	296	-	335	336	338	-	379	380	382	-	427	428	430	-	478	480	481	-	
Lo PR	133	134	138	-	141	142	145	-	147	149	152	-	153	155	158	-	159	161	164	-	166	168	171	-		
75	1050	MBh	34.6	35.1	36.1	37.7	34.3	34.8	35.8	37.4	33.4	33.9	34.9	36.5	31.8	32.3	33.4	34.9	29.9	30.4	31.5	33.0	28.2	28.7	29.7	31.3
		S/T	0.75	0.67	0.53	0.4	1.00	0.67	0.54	0.4	1.00	0.70	0.56	0.4	1.00	0.72	0.58	0.4	1.00	1.00	0.60	0.5	1.00	1.00	0.66	0.5
		ΔT	13.83	12.77	10.78	8.7	13.80	12.74	10.76	8.7	13.95	12.89	10.90	8.8	13.79	12.73	10.74	8.7	13.65	12.59	10.60	8.5	14.32	13.25	11.27	9.2
		kW	2.14	2.14	2.13	2.2	2.40	2.40	2.39	2.4	2.69	2.68	2.68	2.7	3.00	3.00	2.99	3.0	3.34	3.34	3.34	3.4	3.75	3.75	3.75	3.8
		Amps	7.94	7.93	7.91	8.0	9.06	9.05	9.03	9.1	10.31	10.30	10.28	10.4	11.66	11.65	11.63	11.7	13.17	13.16	13.14	13.2	14.94	14.93	14.91	15.0
		Hi PR	250	251	253	257.3	290	291	292	296.8	331	332	334	338.1	375	376	378	382.5	423	424	426	430.5	474	476	477	481.7
	Lo PR	129	130	134	139.1	137	138	141	147.0	143	145	148	153.8	149	151	154	159.6	155	157	160	165.3	162	164	167	172.5	
	1200	MBh	35.1	35.6	36.6	38.2	34.8	35.2	36.3	37.9	33.9	34.3	35.4	37.0	32.3	32.8	33.8	35.4	30.4	30.9	31.9	33.5	28.7	29.2	30.2	31.8
		S/T	0.81	0.73	0.59	0.4	1.00	0.74	0.60	0.5	1.00	0.76	0.62	0.5	1.00	0.78	0.64	0.5	1.00	1.00	0.67	0.5	1.00	1.00	0.72	0.6
		ΔT	13.19	12.13	10.14	8.1	13.16	12.10	10.11	8.1	13.31	12.25	10.26	8.2	13.15	12.09	10.10	8.0	13.01	11.95	9.96	7.9	13.67	12.61	10.63	8.6
		kW	2.15	2.15	2.15	2.2	2.41	2.41	2.41	2.4	2.70	2.70	2.69	2.7	3.01	3.01	3.00	3.0	3.36	3.36	3.35	3.4	3.77	3.76	3.76	3.8
		Amps	7.99	7.99	7.97	8.1	9.11	9.11	9.09	9.2	10.36	10.36	10.34	10.4	11.72	11.71	11.69	11.8	13.23	13.22	13.20	13.3	15.00	14.99	14.97	15.1
Hi PR		252	253	255	259.4	292	293	295	298.9	333	334	336	340.2	377	379	380	384.7	425	427	428	432.6	477	478	479	483.8	
Lo PR	131	132	136	141.0	139	140	143	148.9	145	147	150	155.7	151	153	156	161.5	157	158	162	167.2	164	166	169	174.4		
1350	MBh	35.6	36.1	37.1	38.7	35.3	35.8	36.8	38.4	34.4	34.9	35.9	37.5	32.8	33.3	34.4	35.9	30.9	31.4	32.5	34.0	29.2	29.7	30.7	32.3	
	S/T	0.84	0.76	0.63	0.5	1.00	0.77	0.63	0.5	1.00	0.80	0.66	0.5	1.00	1.00	0.68	0.5	1.00	1.00	0.70	0.6	1.00	1.00	0.75	0.6	
	ΔT	12.65	11.59	9.60	7.5	12.62	11.56	9.57	7.5	12.77	11.71	9.72	7.7	12.61	11.55	9.56	7.5	12.47	11.40	9.42	7.4	13.13	12.07	10.09	8.0	
	kW	2.17	2.16	2.16	2.2	2.42	2.42	2.42	2.4	2.71	2.71	2.70	2.7	3.02	3.02	3.02	3.0	3.37	3.37	3.36	3.4	3.78	3.78	3.77	3.8	
	Amps	8.04	8.03	8.02	8.1	9.16	9.15	9.13	9.2	10.41	10.40	10.38	10.5	11.77	11.76	11.74	11.8	13.28	13.27	13.25	13.3	15.05	15.04	15.02	15.1	
	Hi PR	254	255	257	261.5	294	295	297	300.9	335	336	338	342.2	380	381	382	386.7	427	429	430	434.7	479	480	482	485.9	
Lo PR	133	134	138	143.1	141	142	145	151.0	147	149	152	157.8	153	155	158	163.6	159	161	164	169.3	166	168	171	176.5		

IDB: Entering Indoor Dry Bulb Temperature  
 High and low pressures are measured at the liquid and suction access fittings.  
 Design Subcooling 8 ±2 °F @ the liquid access fitting connection AHR1 95 test conditions. Design Superheat 15 ±2 °F @ the compressor suction access fitting connection.  
 Shaded area reflects ACCA (TVA) conditions.  
 kW = Total system power  
 Amps = outdoor unit amps (comp. +fan)

EXPANDED COOLING DATA — DP5HM3641\*\* (HIGH STAGE) (CONT.)

IDB	AIRFLOW	OUTDOOR AMBIENT TEMPERATURE												105°F												115°F											
		65°F						75°F						85°F						95°F						105°F						115°F					
		59	63	67	71	75	79	59	63	67	71	75	79	59	63	67	71	75	79	59	63	67	71	75	79	59	63	67	71	75	79	59	63	67	71	75	79
80	1050	MBh	34.8	35.3	36.3	37.9	34.5	35.0	36.0	37.6	33.6	34.1	35.1	36.7	32.0	32.5	33.5	35.1	30.1	30.6	31.6	33.2	28.4	28.9	29.9	31.5											
		S/T	1.00	0.80	0.66	0.5	1.00	0.80	0.66	0.5	1.00	1.00	0.69	0.5	1.00	1.00	0.71	0.6	1.00	1.00	0.73	0.6	1.00	1.00	1.00	0.6											
		ΔT	16.19	15.12	13.14	11.1	16.16	15.09	13.11	11.1	16.31	15.24	13.26	11.2	16.15	15.08	13.10	11.0	16.00	14.94	12.96	10.9	16.67	15.61	13.62	11.6											
		kW	2.14	2.14	2.14	2.2	2.40	2.40	2.39	2.4	2.69	2.69	2.68	2.7	3.00	3.00	2.99	3.0	3.35	3.34	3.34	3.4	3.75	3.75	3.75	3.8											
		Amps	7.94	7.93	7.91	8.0	9.06	9.05	9.03	9.1	10.31	10.30	10.28	10.4	11.66	11.66	11.64	11.7	13.18	13.17	13.15	13.2	14.95	14.94	14.92	15.0											
		Hi PR	251	252	253	257.8	290	291	293	297.2	331	332	334	338.5	376	377	379	383.0	424	425	427	431.0	475	476	478	482.2											
		Lo PR	129	131	134	139.7	137	139	142	147.6	144	146	149	154.4	150	151	155	160.2	156	157	160	165.9	163	164	168	173.0											
		MBh	35.2	35.7	36.8	38.3	34.9	35.4	36.5	38.0	34.0	34.5	35.6	37.1	32.5	33.0	34.0	35.6	30.6	31.1	32.1	33.7	28.8	29.3	30.4	31.9											
		S/T	1.00	0.86	0.72	0.6	1.00	0.86	0.73	0.6	1.00	1.00	0.75	0.6	1.00	1.00	0.77	0.6	1.00	1.00	0.79	0.6	1.00	1.00	1.00	0.7											
		ΔT	15.54	14.48	12.50	10.4	15.51	14.45	12.47	10.4	15.66	14.60	12.62	10.6	15.50	14.44	12.46	10.4	15.36	14.30	12.31	10.3	16.03	14.96	12.98	10.9											
kW	2.16	2.15	2.15	2.2	2.41	2.41	2.41	2.4	2.70	2.70	2.69	2.7	3.01	3.01	3.01	3.0	3.36	3.36	3.35	3.4	3.77	3.77	3.76	3.8													
Amps	8.00	7.99	7.97	8.1	9.12	9.11	9.09	9.2	10.37	10.36	10.34	10.4	11.72	11.71	11.69	11.8	13.23	13.22	13.21	13.3	15.01	15.00	14.98	15.1													
Hi PR	253	254	256	259.9	292	293	295	299.3	333	335	336	340.6	378	379	381	385.1	426	427	429	433.1	477	478	480	484.3													
Lo PR	131	133	136	141.6	139	141	144	149.4	146	148	151	156.3	152	153	157	162.1	157	159	162	167.8	165	166	169	174.9													
85	1050	MBh	35.8	36.3	37.3	38.9	35.5	36.0	37.0	38.6	34.6	35.1	36.1	37.7	33.0	33.5	34.5	36.1	31.1	31.6	32.6	34.2	29.4	29.9	30.9	32.5											
		S/T	1.00	0.89	0.75	0.6	1.00	0.90	0.76	0.6	1.00	1.00	0.78	0.6	1.00	1.00	0.80	0.7	1.00	1.00	0.83	0.7	1.00	1.00	1.00	0.7											
		ΔT	15.00	13.94	11.95	9.9	14.97	13.91	11.93	9.9	15.12	14.06	12.08	10.0	14.96	13.90	11.92	9.9	14.82	13.76	11.77	9.7	15.49	14.42	12.44	10.4											
		kW	2.17	2.17	2.16	2.2	2.42	2.42	2.42	2.4	2.71	2.71	2.71	2.7	3.02	3.02	3.02	3.0	3.37	3.37	3.36	3.4	3.78	3.78	3.77	3.8											
		Amps	8.05	8.04	8.02	8.1	9.17	9.16	9.14	9.2	10.42	10.41	10.39	10.5	11.77	11.76	11.74	11.8	13.28	13.27	13.25	13.3	15.06	15.05	15.03	15.1											
		Hi PR	255	256	258	262.0	294	295	297	301.4	336	337	338	342.7	380	381	383	387.2	428	429	431	435.2	479	480	482	486.3											
		Lo PR	133	135	138	143.7	141	143	146	151.5	148	150	153	158.4	154	155	159	164.2	160	161	164	169.9	167	168	172	177.0											
		85	1200	MBh	35.4	35.9	36.9	38.5	35.1	35.6	36.6	38.2	34.2	34.6	35.7	37.3	32.6	33.1	34.1	35.7	30.7	31.2	32.2	33.8	29.0	29.5	30.5	32.1									
				S/T	1.00	0.90	0.76	0.6	1.00	1.00	0.77	0.6	1.00	1.00	0.79	0.6	1.00	1.00	0.81	0.7	1.00	1.00	1.00	0.7	1.00	1.00	1.00	0.7									
				ΔT	18.27	17.21	15.23	13.2	18.24	17.18	15.20	13.1	18.39	17.33	15.35	13.3	18.23	17.17	15.19	13.1	18.09	17.03	15.04	13.0	18.76	17.69	15.71	13.7									
kW	2.15			2.15	2.14	2.2	2.41	2.40	2.40	2.4	2.69	2.69	2.69	2.7	3.00	3.00	3.00	3.0	3.35	3.35	3.34	3.4	3.76	3.76	3.75	3.8											
Amps	7.96			7.95	7.94	8.0	9.08	9.07	9.06	9.1	10.33	10.32	10.31	10.4	11.69	11.68	11.66	11.7	13.20	13.19	13.17	13.3	14.97	14.96	14.94	15.0											
Hi PR	252			253	255	259.0	291	292	294	298.4	333	334	335	339.7	377	378	380	384.2	425	426	428	432.1	476	477	479	483.3											
Lo PR	131			133	136	141.6	139	141	144	149.5	146	148	151	156.3	152	153	157	162.1	157	159	162	167.8	165	166	169	175.0											
85	1350			MBh	35.8	36.3	37.3	38.9	35.5	36.0	37.0	38.6	34.6	35.1	36.1	37.7	33.1	33.5	34.6	36.2	31.2	31.7	32.7	34.3	29.4	29.9	30.9	32.5									
				S/T	1.00	0.96	0.82	0.7	1.00	1.00	0.83	0.7	1.00	1.00	0.85	0.7	1.00	1.00	1.00	0.7	1.00	1.00	1.00	0.8	1.00	1.00	1.00	0.8									
				ΔT	17.63	16.57	14.58	12.5	17.60	16.54	14.55	12.5	17.75	16.69	14.70	12.6	17.59	16.53	14.54	12.5	17.45	16.39	14.40	12.3	18.11	17.05	15.07	13.0									
		kW	2.16	2.16	2.15	2.2	2.42	2.42	2.41	2.4	2.71	2.70	2.70	2.7	3.02	3.02	3.01	3.0	3.36	3.36	3.36	3.4	3.77	3.77	3.77	3.8											
		Amps	8.02	8.01	7.99	8.1	9.14	9.13	9.11	9.2	10.39	10.38	10.36	10.4	11.74	11.73	11.72	11.8	13.25	13.25	13.23	13.3	15.03	15.02	15.00	15.1											
		Hi PR	254	255	257	261.1	293	294	296	300.5	335	336	337	341.8	379	380	382	386.3	427	428	430	434.3	478	479	481	485.5											
		Lo PR	133	135	138	143.5	141	143	146	151.4	148	149	153	158.2	154	155	159	164.0	159	161	164	169.7	167	168	171	176.9											
		85	1350	MBh	36.4	36.9	37.9	39.5	36.1	36.6	37.6	39.2	35.2	35.6	36.7	38.3	33.6	34.1	35.1	36.7	31.7	32.2	33.2	34.8	30.0	30.5	31.5	33.1									
				S/T	1.00	1.00	0.86	0.7	1.00	1.00	0.86	0.7	1.00	1.00	0.89	0.7	1.00	1.00	1.00	0.8	1.00	1.00	1.00	0.8	1.00	1.00	1.00	0.8									
				ΔT	17.09	16.03	14.04	12.0	17.06	16.00	14.01	12.0	17.21	16.15	14.16	12.1	17.05	15.99	14.00	11.9	16.91	15.85	13.86	11.8	17.57	16.51	14.53	12.5									
kW	2.17			2.17	2.17	2.2	2.43	2.43	2.42	2.4	2.72	2.72	2.71	2.7	3.03	3.03	3.02	3.0	3.38	3.37	3.37	3.4	3.78	3.78	3.78	3.8											
Amps	8.07			8.06	8.04	8.1	9.19	9.18	9.16	9.2	10.44	10.43	10.41	10.5	11.79	11.78	11.76	11.9	13.30	13.29	13.28	13.4	15.08	15.07	15.05	15.1											
Hi PR	256			257	259	263.1	295	296	298	302.6	337	338	340	343.9	381	382	384	388.4	429	430	432	436.3	480	481	483	487.5											
Lo PR	135			137	140	145.6	143	145	148	153.5	150	152	155	160.3	156	157	161	166.1	161	163	166	171.8	169	170	173	179.0											

IDB: Entering Indoor Dry Bulb Temperature  
 High and low pressures are measured at the liquid and suction access fittings.  
 Design Subcooling 8 ±2 °F @ the liquid access fitting connection AHRI 95 test conditions. Design Superheat 15 ±2 °F @ the compressor suction access fitting connection.  
 Shaded area reflects AHRI conditions.  
 kW = Total system power  
 Amps = outdoor unit amps (comp.+fan)

EXPANDED COOLING DATA — DP5HM3641\*\* (LOW STAGE)

IDB		OUTDOOR AMBIENT TEMPERATURE																																									
		65°F							75°F							85°F							95°F							105°F							115°F						
		59	63	67	71	59	63	67	71	59	63	67	71	59	63	67	71	59	63	67	71	59	63	67	71	59	63	67	71	59	63	67	71										
70	722	MBh	24.9	25.2	26.0	-	24.6	25.0	25.7	-	24.0	24.4	25.1	-	22.9	23.2	24.0	-	21.5	21.9	22.6	-	20.3	20.6	21.4	-	21.5	21.9	22.6	-	20.6	20.9	21.7	-									
		S/T	0.63	0.55	0.41	-	0.64	0.56	0.42	-	1.00	0.58	0.44	-	1.00	0.60	0.46	-	1.00	0.63	0.49	-	1.00	1.00	0.54	-	1.00	0.63	0.49	-	1.00	1.00	0.60	-									
		ΔT	11.09	10.07	8.15	-	11.06	10.04	8.12	-	11.21	10.18	8.27	-	11.05	10.03	8.11	-	10.92	9.89	7.98	-	11.56	10.53	8.62	-	10.92	9.89	7.98	-	10.94	9.91	8.00	-									
		kW	1.35	1.35	1.34	-	1.51	1.51	1.51	-	1.69	1.69	1.69	-	1.89	1.89	1.88	-	2.11	2.11	2.10	-	2.36	2.36	2.36	-	2.11	2.11	2.11	-	2.37	2.37	2.37	-									
		Amps	5.00	4.99	4.98	-	5.70	5.70	5.68	-	6.49	6.48	6.47	-	7.34	7.33	7.32	-	8.29	8.28	8.27	-	9.40	9.40	9.39	-	8.29	8.28	8.27	-	9.44	9.43	9.42	-									
	Hi-PR	239	240	242	-	277	278	279	-	316	317	319	-	359	360	361	-	404	406	407	-	453	454	456	-	404	406	407	-	455	456	458	-										
	Lo-PR	132	134	137	-	140	142	145	-	147	149	152	-	153	155	158	-	159	161	164	-	167	168	172	-	159	161	164	-	169	170	174	-										
	MBh	25.2	25.5	26.3	-	25.0	25.3	26.1	-	24.3	24.7	25.4	-	23.2	23.6	24.3	-	21.8	22.2	22.9	-	20.6	20.9	21.7	-	21.8	22.2	22.9	-	20.6	20.9	21.7	-										
	S/T	0.69	0.61	0.47	-	0.70	0.62	0.48	-	1.00	0.65	0.51	-	1.00	0.67	0.53	-	1.00	0.69	0.55	-	1.00	1.00	0.60	-	1.00	0.69	0.55	-	1.00	1.00	0.60	-										
	ΔT	10.47	9.45	7.53	-	10.45	9.42	7.50	-	10.59	9.56	7.65	-	10.43	9.41	7.49	-	10.30	9.27	7.36	-	10.94	9.91	8.00	-	10.30	9.27	7.36	-	10.94	9.91	8.00	-										
kW	1.36	1.36	1.35	-	1.52	1.52	1.51	-	1.70	1.70	1.70	-	1.89	1.89	1.89	-	2.11	2.11	2.11	-	2.37	2.37	2.37	-	2.11	2.11	2.11	-	2.37	2.37	2.37	-											
Amps	5.03	5.03	5.02	-	5.74	5.73	5.72	-	6.52	6.52	6.51	-	7.37	7.37	7.36	-	8.32	8.32	8.31	-	9.44	9.43	9.42	-	8.32	8.32	8.31	-	9.44	9.43	9.42	-											
Hi-PR	241	242	244	-	279	280	281	-	318	319	321	-	361	362	363	-	407	408	409	-	455	456	458	-	407	408	409	-	455	456	458	-											
Lo-PR	134	136	139	-	142	144	147	-	149	151	154	-	155	157	160	-	161	163	166	-	169	170	174	-	161	163	166	-	169	170	174	-											
MBh	25.6	25.9	26.7	-	25.4	25.7	26.5	-	24.7	25.1	25.8	-	23.6	24.0	24.7	-	22.2	22.6	23.3	-	21.0	21.3	22.1	-	22.2	22.6	23.3	-	21.0	21.3	22.1	-											
S/T	0.73	0.65	0.51	-	1.00	0.66	0.51	-	1.00	0.68	0.54	-	1.00	0.70	0.56	-	1.00	1.00	0.58	-	1.00	1.00	0.64	-	1.00	1.00	0.58	-	1.00	1.00	0.64	-											
ΔT	9.95	8.93	7.01	-	9.92	8.90	6.98	-	10.07	9.04	7.13	-	9.91	8.89	6.97	-	9.78	8.75	6.83	-	10.42	9.39	7.48	-	9.78	8.75	6.83	-	10.42	9.39	7.48	-											
kW	1.36	1.36	1.36	-	1.53	1.52	1.52	-	1.71	1.70	1.70	-	1.90	1.90	1.90	-	2.12	2.12	2.12	-	2.38	2.38	2.37	-	2.12	2.12	2.12	-	2.38	2.38	2.37	-											
Amps	5.06	5.06	5.05	-	5.77	5.76	5.75	-	6.55	6.55	6.54	-	7.40	7.40	7.39	-	8.36	8.35	8.34	-	9.47	9.46	9.45	-	8.36	8.35	8.34	-	9.47	9.46	9.45	-											
Hi-PR	243	244	246	-	281	282	283	-	320	321	323	-	363	364	365	-	408	410	411	-	457	458	460	-	408	410	411	-	457	458	460	-											
Lo-PR	136	138	141	-	145	146	150	-	152	153	157	-	158	159	163	-	163	165	168	-	171	172	176	-	163	165	168	-	171	172	176	-											
75	722	MBh	24.9	25.2	26.0	27.1	24.7	25.0	25.8	26.9	24.0	24.4	25.1	26.2	22.9	23.2	24.0	25.1	21.5	21.9	22.6	23.8	20.3	20.6	21.4	22.5	21.5	21.9	22.6	23.8	20.6	21.0	21.7	22.8									
		S/T	0.77	0.69	0.55	0.4	1.00	0.69	0.55	0.4	1.00	0.72	0.58	0.4	1.00	1.00	0.60	0.4	1.00	1.00	0.62	0.5	1.00	1.00	0.67	0.5	1.00	1.00	0.62	0.5	1.00	1.00	0.74	0.6									
		ΔT	13.35	12.32	10.41	8.4	13.32	12.29	10.38	8.4	13.46	12.44	10.52	8.5	13.31	12.28	10.37	8.4	13.17	12.15	10.23	8.2	13.82	12.79	10.87	8.9	13.17	12.15	10.23	8.2	13.20	12.17	10.25	8.3									
		kW	1.35	1.35	1.34	1.4	1.51	1.51	1.50	1.5	1.69	1.69	1.69	1.7	1.89	1.88	1.88	1.9	2.10	2.10	2.10	2.1	2.36	2.36	2.36	2.4	2.10	2.10	2.10	2.1	2.36	2.36	2.36	2.4									
		Amps	4.99	4.99	4.97	5.0	5.70	5.69	5.68	5.7	6.48	6.48	6.46	6.5	7.33	7.33	7.32	7.4	8.28	8.28	8.27	8.3	9.40	9.39	9.38	9.4	8.28	8.28	8.27	8.3	9.40	9.39	9.38	9.4									
	Hi-PR	239	240	242	246.0	277	278	280	283.7	316	317	319	323.2	359	360	362	365.7	405	406	407	411.6	454	455	456	460.5	405	406	407	411.6	454	455	456	460.5										
	Lo-PR	132	134	137	143.0	140	142	145	151.1	148	149	153	158.2	153	155	158	164.1	159	161	164	170.0	167	168	172	177.3	159	161	164	170.0	167	168	172	177.3										
	MBh	25.2	25.6	26.3	27.4	25.0	25.3	26.1	27.2	24.3	24.7	25.4	26.6	23.2	<b>23.6</b>	24.3	25.5	23.6	21.9	22.2	23.0	24.1	20.6	21.0	21.7	22.8	21.9	22.2	23.0	24.1	20.6	21.0	21.7	22.8									
	S/T	1.00	0.75	0.61	0.5	1.00	0.76	0.61	0.5	1.00	0.78	0.64	0.5	1.00	<b>1.00</b>	0.66	0.5	1.00	1.00	0.68	0.5	1.00	1.00	0.74	0.6	1.00	1.00	0.68	0.5	1.00	1.00	0.74	0.6										
	ΔT	12.73	11.70	9.79	7.8	12.70	11.67	9.76	7.8	12.84	11.82	9.90	7.9	12.69	<b>11.66</b>	9.75	7.8	12.55	11.53	9.61	7.6	13.20	12.17	10.25	8.3	12.55	11.53	9.61	7.6	13.20	12.17	10.25	8.3										
kW	1.36	1.35	1.35	1.4	1.52	1.52	1.51	1.5	1.70	1.70	1.69	1.7	1.89	<b>1.89</b>	1.89	1.9	2.11	2.11	2.11	2.1	2.37	2.37	2.36	2.4	2.11	2.11	2.11	2.1	2.37	2.37	2.36	2.4											
Amps	5.03	5.02	5.01	5.1	5.73	5.73	5.72	5.8	6.52	6.51	6.50	6.6	7.37	<b>7.36</b>	7.35	7.4	8.32	8.31	8.30	8.4	9.44	9.43	9.42	9.5	8.32	8.31	8.30	8.4	9.44	9.43	9.42	9.5											
Hi-PR	241	242	244	248.0	279	280	282	285.7	318	319	321	325.2	361	<b>362</b>	364	367.7	407	408	409	413.6	456	457	458	462.5	407	408	409	413.6	456	457	458	462.5											
Lo-PR	134	136	139	145.0	142	144	147	153.0	149	151	154	160.1	155	<b>157</b>	160	166.1	161	163	166	171.9	169	170	174	179.2	161	163	166	171.9	169	170	174	179.2											
MBh	25.6	26.0	26.7	27.8	25.4	25.7	26.5	27.6	24.7	25.1	25.8	27.0	23.6	24.0	24.7	25.8	22.2	22.6	23.3	24.5	21.0	21.4	22.1	23.2	22.2	22.6	23.3	24.5	21.0	21.4	22.1	23.2											
S/T	1.00	0.78	0.64	0.5	1.00	0.79	0.65	0.5	1.00	0.82	0.68	0.5	1.00	1.00	0.70	0.5	1.00	1.00	0.72	0.6	1.00	1.00	0.74	0.6	1.00	1.00	0.72	0.6	1.00	1.00	0.74	0.6											
ΔT	12.21	11.18	9.27	7.3	12.18	11.15	9.24	7.3	12.32	11.30	9.38	7.4	12.17	<b>11.14</b>	9.23	7.2	12.03	11.01	9.09	7.1	12.67	11.65	9.73	7.7	12.03	11.01	9.09	7.1	12.67	11.65	9.73	7.7											
kW	1.36	1.36	1.36	1.4	1.52	1.52	1.52	1.5	1.71	1.70	1.70	1.7	1.90	1.90	1.90	1.9	2.12	2.12	2.12	2.1	2.38	2.37	2.37	2.4	2.12	2.12	2.12	2.1	2.38	2.37	2.37	2.4											
Amps	5.06	5.05	5.04	5.1	5.76	5.76	5.75	5.8	6.55	6.54	6.53	6.6	7.40	7.39	7.38	7.4	8.35	8.35	8.33	8.4	9.47	9.46	9.45	9.5	8.35	8.35	8.33	8.4	9.47	9.46	9.45	9.5											
Hi-PR	243	244	246	250.0	281	282	284	287.7	320	321	323	327.2	363	<b>364</b>	366	369.7	409	410	411	415.6	458	459	460	464.5	409	410	411	415.6	458	459	460	464.5											
Lo-PR	137	138	142	147.1	145	146	150	155.2	152	153	157	162.3	158	<b>159</b>	163	168.2	163	165	168	174.1	171	172	176	181.4	163	165	168	174.1	171	172	176	181.4											



EXPANDED COOLING DATA — DP5HM3641\*\* (LOW STAGE) (CONT.)

IDB	AIRFLOW	OUTDOOR AMBIENT TEMPERATURE												105°F												115°F											
		65°F				75°F				85°F				95°F				105°F				115°F															
		59	63	67	71	59	63	67	71	59	63	67	71	59	63	67	71	59	63	67	71	59	63	67	71												
80	722	MBh	25.0	25.4	26.1	27.2	24.8	25.1	25.9	26.2	27.3	24.5	24.8	25.6	26.7	23.0	23.4	24.1	25.3	21.7	22.0	22.8	23.9	20.4	20.8	21.5	22.6										
		S/T	1.00	0.82	0.68	0.5	1.00	0.82	0.68	0.5	1.00	0.82	0.68	0.5	1.00	0.82	0.68	0.5	1.00	0.82	0.68	0.5	1.00	0.82	0.68	0.5	1.00	0.82	0.68	0.5							
		ΔT	15.62	14.59	12.68	10.7	15.59	14.57	12.65	10.7	15.74	14.71	12.79	10.8	15.58	14.55	12.64	10.7	15.44	14.42	12.50	10.5	16.09	15.06	13.14	11.2	16.09	15.06	13.14	11.2							
		kW	1.35	1.35	1.34	1.4	1.51	1.51	1.51	1.5	1.69	1.69	1.69	1.7	1.89	1.88	1.88	1.9	2.10	2.10	2.10	2.1	2.36	2.36	2.36	2.4	2.36	2.36	2.36	2.4							
		Amps	5.00	4.99	4.98	5.0	5.70	5.69	5.68	5.7	6.49	6.48	6.47	6.5	7.34	7.33	7.32	7.4	8.29	8.28	8.27	8.3	9.40	9.40	9.40	9.4	9.40	9.40	9.40	9.4							
		Hi PR	240	241	242	246.4	277	278	280	284.1	317	318	319	323.6	359	360	362	366.2	405	406	408	412.0	454	455	457	460.9	454	455	457	460.9							
	Lo PR	133	135	138	143.6	141	143	146	151.7	148	150	153	158.7	154	156	159	164.7	160	162	165	170.6	167	169	172	177.9	167	169	172	177.9								
	825	MBh	25.3	25.7	26.4	27.6	25.1	25.5	26.2	27.3	24.5	24.8	25.6	26.7	23.4	23.7	24.4	25.6	21.7	22.0	22.3	23.1	24.2	20.7	21.1	21.8	23.0										
		S/T	1.00	0.88	0.74	0.6	1.00	0.89	0.74	0.6	1.00	0.90	0.77	0.6	1.00	0.88	0.77	0.6	1.00	0.88	0.77	0.6	1.00	0.88	0.77	0.6	1.00	0.88	0.77	0.6							
		ΔT	15.00	13.97	12.06	10.1	14.97	13.95	12.03	10.0	15.12	14.09	12.17	10.2	14.96	13.94	12.02	10.0	14.82	13.80	11.88	9.9	15.47	14.44	12.52	10.5	15.47	14.44	12.52	10.5							
		kW	1.36	1.35	1.35	1.4	1.52	1.52	1.51	1.5	1.70	1.70	1.69	1.7	1.89	1.89	1.89	1.9	2.11	2.11	2.11	2.1	2.37	2.37	2.37	2.4	2.37	2.37	2.37	2.4							
		Amps	5.03	5.03	5.01	5.1	5.74	5.73	5.72	5.8	6.52	6.52	6.50	6.6	7.37	7.37	7.36	7.4	8.32	8.32	8.31	8.4	9.44	9.44	9.44	9.5	9.44	9.44	9.44	9.5							
Hi PR		242	243	244	248.5	279	280	282	286.2	319	320	321	325.7	361	362	364	368.2	407	408	410	414.0	456	457	459	463.0	456	457	459	463.0								
Lo PR	135	137	140	145.6	143	145	148	153.6	150	152	155	160.7	156	158	161	166.6	162	163	167	172.5	169	171	174	179.8	169	171	174	179.8									
928	MBh	25.7	26.1	26.8	28.0	25.5	25.9	26.6	27.7	24.9	25.2	26.0	27.1	23.7	24.1	24.8	26.0	22.4	22.7	23.5	24.6	21.1	21.5	22.2	23.4												
	S/T	1.00	0.91	0.77	0.6	1.00	0.90	0.78	0.6	1.00	0.91	0.81	0.7	1.00	0.90	0.83	0.7	1.00	0.90	0.81	0.7	1.00	0.90	0.81	0.7	1.00	0.90	0.81	0.7								
	ΔT	14.48	13.45	11.54	9.6	14.45	13.42	11.51	9.5	14.59	13.57	11.65	9.7	14.44	13.41	11.50	9.5	14.30	13.28	11.36	9.4	14.94	13.92	12.00	10.0	14.94	13.92	12.00	10.0								
	kW	1.36	1.36	1.36	1.4	1.53	1.52	1.52	1.5	1.71	1.70	1.70	1.7	1.90	1.90	1.90	1.9	2.12	2.12	2.12	2.1	2.38	2.38	2.38	2.4	2.38	2.38	2.38	2.4								
	Amps	5.06	5.06	5.05	5.1	5.77	5.76	5.75	5.8	6.55	6.55	6.54	6.6	7.40	7.40	7.39	7.4	8.35	8.35	8.34	8.4	9.47	9.46	9.46	9.5	9.47	9.46	9.46	9.5								
	Hi PR	244	245	246	250.4	281	282	284	288.1	321	322	323	327.6	363	364	366	370.2	409	410	412	416.0	458	459	461	464.9	458	459	461	464.9								
Lo PR	137	139	142	147.7	145	147	150	155.8	152	154	157	162.8	158	160	163	168.8	164	166	169	174.7	171	173	176	182.0	171	173	176	182.0									
85	722	MBh	25.4	25.8	26.5	27.7	25.2	25.6	26.3	27.4	24.6	24.9	25.7	26.8	23.4	23.8	24.5	25.7	22.1	22.4	23.2	24.3	20.8	21.2	21.9	23.1											
		S/T	1.00	0.88	0.74	0.6	1.00	0.89	0.74	0.6	1.00	0.90	0.77	0.6	1.00	0.88	0.77	0.6	1.00	0.88	0.77	0.6	1.00	0.88	0.77	0.6	1.00	0.88	0.77	0.6							
		ΔT	17.63	16.61	14.69	12.7	17.61	16.58	14.66	12.7	17.75	16.72	14.81	12.8	17.60	16.57	14.65	12.7	17.46	16.43	14.52	12.5	18.10	17.07	15.16	13.2	18.10	17.07	15.16	13.2							
		kW	1.35	1.35	1.35	1.4	1.51	1.51	1.51	1.5	1.69	1.69	1.69	1.7	1.89	1.89	1.89	1.9	2.11	2.11	2.11	2.1	2.36	2.36	2.36	2.4	2.36	2.36	2.36	2.4							
		Amps	5.01	5.00	4.99	5.0	5.71	5.71	5.70	5.7	6.50	6.49	6.48	6.5	7.35	7.34	7.33	7.4	8.30	8.30	8.28	8.3	9.42	9.41	9.40	9.5	9.42	9.41	9.40	9.5							
		Hi PR	241	242	243	247.6	278	279	281	285.3	318	319	321	324.8	360	361	363	367.3	406	407	409	413.1	455	456	458	462.1	455	456	458	462.1							
	Lo PR	135	137	140	145.6	143	145	148	153.7	150	152	155	160.7	156	158	161	166.7	162	164	167	172.5	169	171	174	179.9	169	171	174	179.9								
	825	MBh	25.8	26.1	26.9	28.0	25.5	25.9	26.6	27.8	24.9	25.2	26.0	27.1	23.8	24.1	24.9	26.0	22.4	22.8	23.5	24.6	21.2	21.5	22.3	23.4											
		S/T	1.00	0.90	0.84	0.7	1.00	0.91	0.85	0.7	1.00	0.92	0.81	0.7	1.00	0.90	0.83	0.7	1.00	0.90	0.81	0.7	1.00	0.90	0.81	0.7	1.00	0.90	0.81	0.7							
		ΔT	17.01	15.99	14.07	12.1	16.99	15.96	14.04	12.1	17.13	16.10	14.19	12.2	16.98	15.95	14.03	12.0	16.84	15.81	13.90	11.9	17.48	16.45	14.54	12.6	17.48	16.45	14.54	12.6							
		kW	1.36	1.36	1.36	1.4	1.52	1.52	1.52	1.5	1.70	1.70	1.70	1.7	1.90	1.90	1.89	1.9	2.12	2.12	2.12	2.1	2.37	2.37	2.37	2.4	2.37	2.37	2.37	2.4							
		Amps	5.05	5.04	5.03	5.1	5.75	5.74	5.73	5.8	6.54	6.53	6.52	6.6	7.39	7.38	7.37	7.4	8.34	8.33	8.32	8.4	9.45	9.45	9.45	9.5	9.45	9.45	9.45	9.5							
Hi PR		243	244	245	249.6	280	281	283	287.3	320	321	323	326.8	362	363	365	369.3	408	409	411	415.2	457	458	460	464.1	457	458	460	464.1								
Lo PR	137	139	142	147.6	145	147	150	155.6	152	154	157	162.7	158	160	163	168.6	164	166	169	174.5	171	173	176	181.8	171	173	176	181.8									
928	MBh	26.2	26.5	27.2	28.4	25.9	26.3	27.0	28.2	25.3	25.6	26.4	27.5	24.2	24.5	25.3	26.4	22.8	23.1	23.9	25.0	21.6	21.9	22.6	23.8												
	S/T	1.00	0.90	0.88	0.7	1.00	0.91	0.89	0.7	1.00	0.92	0.81	0.7	1.00	0.90	0.83	0.7	1.00	0.90	0.81	0.7	1.00	0.90	0.81	0.7	1.00	0.90	0.81	0.7								
	ΔT	16.49	15.47	13.55	11.6	16.46	15.44	13.52	11.5	16.61	15.58	13.67	11.7	16.45	15.43	13.51	11.5	16.32	15.29	13.38	11.4	16.96	15.93	14.02	12.0	16.96	15.93	14.02	12.0								
	kW	1.37	1.37	1.36	1.4	1.53	1.53	1.52	1.5	1.71	1.71	1.71	1.7	1.90	1.90	1.90	1.9	2.12	2.12	2.12	2.1	2.38	2.38	2.38	2.4	2.38	2.38	2.38	2.4								
	Amps	5.08	5.07	5.06	5.1	5.78	5.77	5.76	5.8	6.57	6.56	6.55	6.6	7.42	7.41	7.40	7.5	8.37	8.36	8.35	8.4	9.48	9.48	9.48	9.5	9.48	9.48	9.48	9.5								
	Hi PR	245	246	247	251.6	282	283	285	289.3	322	323	325	328.8	364	365	367	371.3	410	411	413	417.1	459	460	462	466.1	459	460	462	466.1								
Lo PR	139	141	144	149.7	147	149	152	157.8	154	156	159	164.8	160	162	165	170.8	166	168	171	176.6	173	175	178	184.0	173	175	178	184.0									

IDB: Entering Indoor Dry Bulb Temperature  
 High and low pressures are measured at the liquid and suction access fittings.  
 Shaded area reflects AHRI conditions.  
 kW = Total system power  
 Amps = outdoor unit amps (comp.+fan)



EXPANDED COOLING DATA — DP5HM4241\*\* (HIGH STAGE)

IDB		OUTDOOR AMBIENT TEMPERATURE																								
		65°F				75°F				85°F				95°F				105°F				115°F				
		59	63	67	71	59	63	67	71	59	63	67	71	59	63	67	71	59	63	67	71	59	63	67	71	
70	1225	MBh	42.0	42.6	43.8	-	41.6	42.2	43.5	-	40.5	41.1	42.4	-	38.7	39.2	40.5	-	36.4	37.0	38.2	-	34.3	34.9	36.1	-
		S/T	0.63	0.56	0.42	-	0.64	0.56	0.43	-	0.66	0.59	0.46	-	1.00	0.61	0.48	-	1.00	0.63	0.50	-	1.00	0.68	0.55	-
		ΔT	12.03	10.88	8.74	-	12.00	10.85	8.71	-	12.16	11.01	8.87	-	11.99	10.84	8.69	-	11.83	10.69	8.54	-	12.55	11.41	9.26	-
		kW	2.56	2.56	2.55	-	2.88	2.88	2.87	-	3.24	3.24	3.23	-	3.63	3.62	3.62	-	4.06	4.06	4.05	-	4.56	4.56	4.56	-
		Amps	9.63	9.62	9.60	-	11.03	11.01	10.99	-	12.58	12.57	12.54	-	14.26	14.25	14.22	-	16.14	16.13	16.10	-	18.34	18.33	18.30	-
		Hi PR	261	262	264	-	302	303	305	-	345	346	348	-	391	392	394	-	441	442	444	-	494	495	497	-
	Lo PR	126	128	131	-	134	135	139	-	141	142	145	-	146	148	151	-	152	153	156	-	159	160	163	-	
	MBh	42.3	42.8	44.1	-	41.9	42.5	43.7	-	40.8	41.4	42.6	-	38.9	39.5	40.8	-	36.6	37.2	38.5	-	34.5	35.1	36.4	-	
	S/T	0.66	0.58	0.45	-	0.66	0.59	0.45	-	0.69	0.61	0.48	-	1.00	0.63	0.50	-	1.00	0.65	0.52	-	1.00	0.71	0.57	-	
	ΔT	11.73	10.58	8.43	-	11.70	10.55	8.40	-	11.86	10.71	8.56	-	11.69	10.54	8.39	-	11.53	10.38	8.24	-	12.25	11.10	8.96	-	
	kW	2.57	2.57	2.56	-	2.89	2.89	2.88	-	3.25	3.24	3.24	-	3.63	3.63	3.63	-	4.07	4.06	4.06	-	4.57	4.57	4.56	-	
	Amps	9.67	9.66	9.63	-	11.06	11.05	11.02	-	12.61	12.60	12.58	-	14.29	14.28	14.26	-	16.17	16.16	16.13	-	18.37	18.36	18.34	-	
Hi PR	262	263	265	-	303	304	306	-	346	347	349	-	392	393	395	-	442	443	445	-	495	496	498	-		
Lo PR	127	129	132	-	135	136	139	-	141	143	146	-	147	149	152	-	153	154	157	-	160	161	164	-		
MBh	43.5	44.0	45.3	-	43.1	43.7	44.9	-	42.0	42.6	43.8	-	40.1	40.7	41.9	-	37.8	38.4	39.7	-	35.7	36.3	37.6	-		
S/T	0.70	0.63	0.49	-	0.71	0.63	0.50	-	1.00	0.66	0.52	-	1.00	0.68	0.54	-	1.00	0.70	0.56	-	1.00	1.00	0.61	-		
ΔT	10.78	9.63	7.49	-	10.75	9.60	7.45	-	10.91	9.76	7.62	-	10.74	9.59	7.44	-	10.58	9.43	7.29	-	11.30	10.15	8.01	-		
kW	2.59	2.59	2.58	-	2.91	2.91	2.90	-	3.27	3.27	3.26	-	3.66	3.65	3.65	-	4.09	4.09	4.08	-	4.59	4.59	4.59	-		
Amps	9.76	9.75	9.73	-	11.16	11.14	11.12	-	12.71	12.70	12.67	-	14.39	14.38	14.35	-	16.27	16.25	16.23	-	18.47	18.46	18.43	-		
Hi PR	265	267	268	-	306	308	309	-	349	350	352	-	396	397	399	-	445	447	448	-	499	500	502	-		
Lo PR	131	132	135	-	138	140	143	-	145	147	150	-	151	152	155	-	156	158	161	-	163	165	168	-		
75	1225	MBh	42.0	42.6	43.9	45.8	41.6	42.2	43.5	45.4	40.6	41.1	42.4	44.3	38.7	39.3	40.5	42.4	36.4	37.0	38.2	40.1	34.3	34.9	36.1	38.0
		S/T	0.76	0.69	0.55	0.41	1.00	0.69	0.56	0.42	1.00	0.72	0.58	0.44	1.00	0.74	0.60	0.46	1.00	0.76	0.62	0.48	1.00	1.00	0.68	0.53
		ΔT	14.56	13.41	11.26	9.04	14.53	13.38	11.23	9.01	14.69	13.54	11.39	9.17	14.51	13.37	11.22	9.00	14.36	13.21	11.07	8.84	15.08	13.93	11.79	9.56
		kW	2.56	2.56	2.55	2.58	2.88	2.88	2.87	2.90	3.24	3.24	3.23	3.25	3.62	3.62	3.62	3.64	4.06	4.05	4.05	4.07	4.56	4.56	4.55	4.58
		Amps	9.63	9.61	9.59	9.70	11.02	11.01	10.98	11.09	12.57	12.56	12.53	12.64	14.25	14.24	14.21	14.32	16.13	16.12	16.09	16.20	18.33	18.32	18.30	18.40
		Hi PR	261	262	264	269	302	303	305	309	345	346	348	352	391	392	394	399	441	442	444	448	494	495	497	502
	Lo PR	126	128	131	136	134	135	139	144	141	142	145	151	146	148	151	156	152	153	156	162	159	160	163	169	
	MBh	42.3	42.9	44.1	46.0	41.9	42.5	43.7	45.7	40.8	41.4	42.7	44.6	46.6	38.9	39.5	40.8	42.7	36.7	37.2	38.5	40.4	34.6	35.2	36.4	38.3
	S/T	0.79	0.71	0.58	0.44	1.00	0.72	0.58	0.44	1.00	0.74	0.61	0.47	1.00	0.76	0.63	0.49	1.00	0.78	0.65	0.51	0.51	1.00	1.00	0.70	0.56
	ΔT	14.25	13.11	10.96	8.74	14.22	13.07	10.93	8.71	14.38	13.24	11.09	8.87	14.21	13.06	10.92	8.69	14.06	12.91	10.76	8.54	14.78	13.63	11.48	9.26	
	kW	2.57	2.57	2.56	2.58	2.89	2.89	2.88	2.90	3.25	3.24	3.24	3.26	3.63	3.63	3.62	3.65	4.06	4.06	4.06	4.08	4.57	4.57	4.56	4.59	
	Amps	9.66	9.65	9.62	9.73	11.05	11.04	11.01	11.12	12.60	12.59	12.57	12.67	14.28	14.27	14.25	14.35	16.16	16.15	16.12	16.23	18.36	18.35	18.33	18.43	
Hi PR	262	263	265	270	303	304	306	310	346	347	349	353	392	393	395	400	442	443	445	449	495	496	498	503		
Lo PR	127	129	132	137	135	136	139	145	141	142	146	151	147	149	152	157	153	154	157	163	160	161	164	170		
MBh	43.5	44.1	45.3	47.2	43.1	43.7	44.9	46.8	42.0	42.6	43.8	45.8	48.1	40.1	40.7	42.0	43.9	37.8	38.4	39.7	41.6	35.8	36.3	37.6	39.5	
S/T	0.83	0.75	0.62	0.48	1.00	0.76	0.63	0.48	1.00	0.78	0.65	0.51	1.00	0.80	0.67	0.53	1.00	1.00	0.69	0.55	1.00	1.00	0.74	0.60		
ΔT	13.31	12.16	10.01	7.79	13.27	12.13	9.98	7.76	13.44	12.29	10.14	7.92	13.26	12.11	9.97	7.75	13.11	11.96	9.82	7.59	13.83	12.68	10.53	8.31		
kW	2.59	2.59	2.58	2.61	2.91	2.91	2.90	2.93	3.27	3.27	3.26	3.28	3.65	3.65	3.65	3.67	4.09	4.08	4.08	4.10	4.59	4.59	4.58	4.61		
Amps	9.76	9.74	9.72	9.83	11.15	11.14	11.11	11.22	12.70	12.69	12.66	12.77	14.38	14.37	14.34	14.45	16.26	16.25	16.22	16.33	18.46	18.45	18.42	18.53		
Hi PR	266	267	269	273	307	308	310	314	350	351	353	357	396	397	399	403	446	447	449	453	499	500	502	506		
Lo PR	131	132	135	141	138	140	143	148	145	147	150	155	151	152	155	161	156	158	161	166	163	165	168	173		

IDB: Entering Indoor Dry Bulb Temperature  
 High and low pressures are measured at the liquid and suction access fittings.  
 Design Subcooling 8 ± 2 °F @ the liquid access fitting connection AHR1 95 test conditions. Design Superheat 15 ± 2 °F @ the compressor suction access fitting connection.  
 Shaded area reflects ACCA (TVA) conditions.  
 kW = Total system power  
 Amps = outdoor unit amps (comp.+fan)

EXPANDED COOLING DATA — DP5HM4241\*\* (HIGH STAGE) (CONT.)

IDB	AIRFLOW	OUTDOOR AMBIENT TEMPERATURE																							
		65°F				75°F				85°F				95°F				105°F				115°F			
		59	63	67	71	59	63	67	71	59	63	67	71	59	63	67	71	59	63	67	71	59	63	67	71
80	MBh	42.24	42.83	44.07	45.97	41.86	42.45	43.70	45.60	40.77	41.36	42.61	44.51	38.90	39.49	40.73	42.64	36.61	37.20	38.44	40.35	34.52	35.11	36.35	38.26
	S/T	1.00	0.81	0.68	0.54	1.00	0.82	0.68	0.54	1.00	0.84	0.71	0.57	1.00	1.00	0.73	0.59	1.00	1.00	0.75	0.61	1.00	1.00	0.80	0.66
	ΔT	17.10	15.95	13.81	11.58	17.07	15.92	13.78	11.55	17.23	16.08	13.94	11.71	17.06	15.91	13.76	11.54	16.90	15.75	13.61	11.39	17.62	16.47	14.33	12.11
	kW	2.56	2.56	2.55	2.58	2.88	2.88	2.87	2.90	3.24	3.24	3.23	3.26	3.63	3.62	3.62	3.64	4.06	4.06	4.05	4.07	4.56	4.56	4.56	4.58
	Amps	9.63	9.62	9.60	9.70	11.02	11.01	10.99	11.10	12.58	12.57	12.54	12.65	14.26	14.25	14.22	14.33	16.13	16.12	16.10	16.21	18.34	18.33	18.30	18.41
	Hi PR	261.53	262.65	264.48	269.00	302.49	303.62	305.44	309.97	345.41	346.54	348.36	352.89	391.62	392.75	394.58	399.10	441.45	442.58	444.40	448.93	494.62	495.75	497.57	502.10
	Lo PR	126.82	128.36	131.55	136.89	134.44	135.99	139.18	144.51	141.11	142.66	145.85	151.18	146.76	148.30	151.49	156.83	152.29	153.84	157.03	162.37	159.23	160.78	163.97	169.30
	MBh	42.50	43.09	44.34	46.24	42.13	42.72	43.96	45.87	41.04	41.63	42.87	44.78	39.16	39.75	41.00	42.90	36.87	37.46	38.71	40.61	34.78	35.37	36.62	38.52
	S/T	1.00	0.83	0.70	0.56	1.00	0.84	0.71	0.57	1.00	0.86	0.73	0.59	1.00	1.00	0.75	0.61	1.00	1.00	0.77	0.63	1.00	1.00	0.82	0.68
	ΔT	16.80	15.65	13.50	11.28	16.77	15.62	13.47	11.25	16.93	15.78	13.63	11.41	16.75	15.61	13.46	11.24	16.60	15.45	13.31	11.08	17.32	16.17	14.03	11.80
kW	2.57	2.57	2.56	2.59	2.89	2.89	2.88	2.91	3.25	3.24	3.24	3.26	3.63	3.63	3.63	3.65	4.07	4.06	4.06	4.08	4.57	4.57	4.56	4.59	
Amps	9.66	9.65	9.63	9.74	11.06	11.04	11.02	11.13	12.61	12.60	12.57	12.68	14.29	14.28	14.25	14.36	16.17	16.15	16.13	16.24	18.37	18.36	18.33	18.44	
Hi PR	262.53	263.65	265.48	270.00	303.49	304.62	306.44	310.97	346.41	347.54	349.36	353.89	392.62	393.75	395.58	400.10	442.45	443.58	445.40	449.93	495.62	496.75	498.58	503.10	
Lo PR	127.69	129.23	132.42	137.76	135.31	136.85	140.04	145.38	141.98	143.53	146.72	152.05	147.63	149.17	152.36	157.70	153.16	154.71	157.90	163.24	160.10	161.65	164.84	170.17	
MBh	43.69	44.28	45.53	47.43	43.32	43.91	45.15	47.06	42.23	42.82	44.06	45.97	40.35	40.94	42.19	44.09	38.06	38.65	39.90	41.80	35.97	36.56	37.81	39.71	
S/T	1.00	0.88	0.74	0.60	1.00	0.88	0.75	0.61	1.00	1.00	0.77	0.63	1.00	1.00	0.79	0.65	1.00	1.00	0.82	0.67	1.00	1.00	1.00	0.73	
ΔT	15.85	14.70	12.56	10.33	15.82	14.67	12.52	10.30	15.98	14.83	12.69	10.46	15.81	14.66	12.51	10.29	15.65	14.50	12.36	10.14	16.37	15.22	13.08	10.86	
kW	2.59	2.59	2.58	2.61	2.91	2.91	2.90	2.93	3.27	3.27	3.26	3.29	3.66	3.65	3.65	3.67	4.09	4.09	4.08	4.10	4.59	4.59	4.59	4.61	
Amps	9.76	9.75	9.73	9.83	11.15	11.14	11.12	11.23	12.71	12.70	12.67	12.78	14.39	14.38	14.35	14.46	16.26	16.25	16.23	16.34	18.47	18.46	18.43	18.54	
Hi PR	266.17	267.30	269.13	273.65	307.14	308.27	310.09	314.62	350.06	351.19	353.01	357.54	396.27	397.40	399.22	403.75	446.10	447.22	449.05	453.58	499.27	500.40	502.22	506.75	
Lo PR	131.30	132.85	136.04	141.37	138.92	140.47	143.66	148.99	145.60	147.14	150.33	155.67	151.24	152.79	155.98	161.31	156.78	158.32	161.51	166.85	163.71	165.26	168.45	173.78	

1225	MBh	42.9	43.5	44.8	46.7	42.6	43.2	44.4	46.3	41.5	42.1	43.3	45.2	39.6	40.2	41.4	43.3	37.3	37.9	39.1	41.1	35.2	35.8	37.1	39.0
	S/T	1.00	0.91	0.78	0.64	1.00	1.00	0.78	0.64	1.00	1.00	0.81	0.67	1.00	1.00	0.83	0.69	1.00	1.00	0.80	0.71	1.00	1.00	1.00	0.76
	ΔT	19.36	18.21	16.06	13.84	19.32	18.18	16.03	13.81	19.49	18.34	16.19	13.97	19.31	18.16	16.02	13.80	19.16	18.01	15.87	13.64	19.88	18.73	16.58	14.36
	kW	2.57	2.57	2.56	2.59	2.89	2.89	2.88	2.91	3.25	3.24	3.24	3.26	3.63	3.63	3.62	3.65	4.06	4.06	4.06	4.08	4.57	4.57	4.56	4.59
	Amps	9.66	9.65	9.62	9.73	11.05	11.04	11.02	11.12	12.60	12.59	12.57	12.67	14.28	14.27	14.25	14.36	16.16	16.15	16.13	16.23	18.36	18.35	18.33	18.44
	Hi PR	263	264	266	270	304	305	307	311	347	348	350	354	393	394	396	400	443	444	446	450	496	497	499	503
	Lo PR	129	130	133	139	136	138	141	146	143	145	148	153	149	150	153	159	154	156	159	164	161	163	166	171
	MBh	43.2	43.8	45.0	46.9	42.8	43.4	44.7	46.6	41.7	42.3	43.6	45.5	39.9	40.5	41.7	43.6	37.6	38.2	39.4	41.3	35.5	36.1	37.3	39.2
	S/T	1.00	0.93	0.80	0.66	1.00	1.00	0.81	0.67	1.00	1.00	0.83	0.69	1.00	1.00	0.85	0.71	1.00	1.00	0.80	0.73	1.00	1.00	1.00	0.78
	ΔT	19.05	17.90	15.76	13.54	19.02	17.87	15.73	13.51	19.18	18.03	15.89	13.67	19.01	17.86	15.72	13.49	18.86	17.71	15.56	13.34	19.58	18.43	16.28	14.06
kW	2.58	2.57	2.57	2.59	2.90	2.89	2.89	2.91	3.25	3.25	3.24	3.27	3.64	3.64	3.63	3.66	4.07	4.07	4.06	4.09	4.58	4.58	4.57	4.59	
Amps	9.69	9.68	9.66	9.76	11.08	11.07	11.05	11.15	12.63	12.62	12.60	12.71	14.32	14.30	14.28	14.39	16.19	16.18	16.16	16.26	18.40	18.38	18.36	18.47	
Hi PR	264	265	267	271	305	306	308	312	348	349	351	355	394	395	397	401	444	445	447	451	497	498	500	504	
Lo PR	130	131	134	140	137	139	142	147	144	145	149	154	150	151	154	160	155	157	160	165	162	164	167	172	
1300	MBh	44.4	45.0	46.2	48.1	44.0	44.6	45.9	47.8	42.9	43.5	44.8	46.7	41.1	41.6	42.9	44.8	38.8	39.4	40.6	42.5	36.7	37.3	38.5	40.4
	S/T	1.00	0.98	0.84	0.70	1.00	1.00	0.85	0.71	1.00	1.00	0.87	0.73	1.00	1.00	0.89	0.75	1.00	1.00	0.80	0.77	1.00	1.00	1.00	0.83
	ΔT	18.10	16.96	14.81	12.59	18.07	16.92	14.78	12.56	18.23	17.09	14.94	12.72	18.06	16.91	14.77	12.55	17.91	16.76	14.61	12.39	18.63	17.48	15.33	13.11
	kW	2.60	2.60	2.59	2.61	2.92	2.92	2.91	2.93	3.28	3.27	3.27	3.29	3.66	3.66	3.65	3.68	4.09	4.09	4.09	4.11	4.60	4.60	4.59	4.62
	Amps	9.79	9.78	9.75	9.86	11.18	11.17	11.15	11.25	12.73	12.72	12.70	12.80	14.41	14.40	14.38	14.48	16.29	16.28	16.26	16.36	18.49	18.48	18.46	18.56
	Hi PR	267	269	270	275	308	309	311	316	351	352	354	359	397	399	400	405	447	448	450	455	500	502	503	508
	Lo PR	133	135	138	143	141	142	146	151	147	149	152	158	153	155	158	163	159	160	163	169	166	167	170	176

IDB: Entering Indoor Dry Bulb Temperature  
 High and low pressures are measured at the liquid and suction access fittings.  
 Shaded area reflects AHRI conditions.  
 kW = Total system power  
 Amps = outdoor unit amps (comp.+fan)

EXPANDED COOLING DATA — DP5HM4241\*\* (LOW STAGE)

IDB		OUTDOOR AMBIENT TEMPERATURE																																			
		65°F						75°F						85°F						95°F						105°F						115°F					
		AIRFLOW		59	63	67	71	59		63	67	71	59		63	67	71	59		63	67	71	59		63	67	71	59		63	67	71					
<b>70</b>	<b>989</b>	MBh	30.2	30.6	31.5	-	29.9	30.4	31.2	-	29.1	29.6	30.5	-	27.8	28.2	29.1	-	26.1	26.6	27.5	-	24.6	25.1	26.0	-	21.1	21.6	22.5	-	19.6	20.1	21.0	-			
		S/T	0.65	0.57	0.44	-	0.66	0.58	0.44	-	1.00	0.61	0.47	-	1.00	0.63	0.49	-	1.00	0.65	0.51	-	1.00	0.65	0.51	-	1.00	0.65	0.51	-	1.00	0.65	0.51	-			
		ΔT	11.61	10.50	8.43	-	11.58	10.47	8.40	-	11.74	10.63	8.56	-	11.57	10.46	8.39	-	11.42	10.31	8.24	-	12.11	11.01	8.94	-	12.11	11.01	8.94	-	12.11	11.01	8.94	-			
		kW	1.61	1.61	1.61	-	1.81	1.81	1.81	-	2.04	2.04	2.03	-	2.28	2.28	2.28	-	2.55	2.55	2.55	-	2.87	2.87	2.87	-	3.11	3.11	3.11	-	3.35	3.35	3.35	-			
		Amps	6.06	6.05	6.04	-	6.94	6.93	6.91	-	7.91	7.90	7.89	-	8.97	8.96	8.95	-	10.15	10.14	10.13	-	11.54	11.53	11.51	-	13.01	12.99	12.97	-	14.58	14.56	14.54	-			
	Hi PR	249	250	252	-	289	290	291	-	330	331	332	-	374	375	377	-	421	422	424	-	472	473	475	-	523	524	525	-	574	575	576	-				
	Lo PR	130	131	135	-	138	139	142	-	144	146	149	-	150	152	155	-	156	158	161	-	163	165	168	-	170	171	173	-	176	177	179	-				
	MBh	30.4	30.8	31.7	-	30.1	30.5	31.4	-	29.3	29.8	30.7	-	28.0	28.4	29.3	-	26.3	26.8	27.7	-	24.8	25.3	26.2	-	21.3	21.8	22.7	-	20.8	21.3	22.2	-				
	S/T	0.68	0.60	0.46	-	0.68	0.60	0.47	-	1.00	0.63	0.49	-	1.00	0.65	0.51	-	1.00	0.67	0.53	-	1.00	0.67	0.53	-	1.00	0.67	0.53	-	1.00	0.67	0.53	-				
	ΔT	11.32	10.21	8.14	-	11.29	10.18	8.11	-	11.44	10.33	8.26	-	11.28	10.17	8.10	-	11.13	10.02	7.95	-	11.82	10.71	8.64	-	11.82	10.71	8.64	-	11.82	10.71	8.64	-				
kW	1.62	1.62	1.61	-	1.82	1.82	1.81	-	2.04	2.04	2.04	-	2.29	2.28	2.28	-	2.56	2.56	2.55	-	2.88	2.87	2.87	-	3.20	3.19	3.18	-	3.52	3.51	3.50	-					
Amps	6.08	6.07	6.06	-	6.95	6.95	6.93	-	7.93	7.92	7.91	-	8.99	8.98	8.97	-	10.17	10.16	10.15	-	11.55	11.55	11.53	-	13.02	13.01	12.99	-	14.59	14.58	14.56	-					
Hi PR	250	251	253	-	289	291	292	-	330	332	333	-	375	376	377	-	422	423	425	-	473	474	476	-	524	525	526	-	575	576	577	-					
Lo PR	131	132	136	-	138	140	143	-	145	147	150	-	151	153	156	-	157	158	162	-	164	166	169	-	171	172	174	-	177	178	180	-					
MBh	31.2	31.7	32.6	-	31.0	31.4	32.3	-	30.2	30.6	31.5	-	28.8	29.3	30.2	-	27.2	27.6	28.5	-	25.7	26.1	27.0	-	22.2	22.7	23.6	-	21.7	22.2	23.1	-					
S/T	0.72	0.64	0.51	-	0.73	0.65	0.51	-	1.00	0.67	0.54	-	1.00	0.69	0.56	-	1.00	0.72	0.58	-	1.00	0.72	0.58	-	1.00	0.72	0.58	-	1.00	0.72	0.58	-					
ΔT	10.40	9.29	7.22	-	10.37	9.26	7.19	-	10.53	9.42	7.35	-	10.36	9.25	7.18	-	10.21	9.10	7.03	-	10.91	9.80	7.73	-	10.91	9.80	7.73	-	10.91	9.80	7.73	-					
kW	1.63	1.63	1.63	-	1.83	1.83	1.83	-	2.06	2.06	2.05	-	2.30	2.30	2.29	-	2.57	2.57	2.57	-	2.89	2.89	2.89	-	3.21	3.20	3.19	-	3.53	3.52	3.51	-					
Amps	6.14	6.13	6.12	-	7.02	7.01	6.99	-	7.99	7.99	7.97	-	9.05	9.04	9.03	-	10.23	10.22	10.21	-	11.62	11.61	11.59	-	13.09	13.08	13.06	-	14.66	14.65	14.63	-					
Hi PR	254	255	257	-	293	294	296	-	334	335	337	-	378	379	381	-	426	427	429	-	477	478	479	-	528	529	530	-	579	580	581	-					
Lo PR	134	136	139	-	142	144	147	-	149	151	154	-	155	156	160	-	161	162	165	-	168	169	173	-	174	175	178	-	181	182	185	-					
<b>75</b>	<b>989</b>	MBh	30.2	30.6	31.5	32.9	29.9	30.4	31.3	32.6	29.2	29.6	30.5	31.8	27.8	28.2	29.1	30.5	26.2	26.6	27.5	28.9	24.7	25.1	26.0	27.4											
		S/T	0.78	0.70	0.57	0.42	1.00	0.71	0.57	0.43	1.00	0.74	0.60	0.45	1.00	0.76	0.62	0.48	1.00	0.78	0.64	0.52	1.00	0.80	0.66	0.53											
		ΔT	14.05	12.94	10.87	8.72	14.02	12.91	10.84	8.69	14.17	13.06	10.99	8.85	14.01	12.90	10.83	8.68	13.86	12.75	10.68	8.54	14.55	13.44	11.37	9.23											
		kW	1.61	1.61	1.61	1.62	1.81	1.81	1.81	1.82	2.04	2.04	2.03	2.05	2.28	2.28	2.27	2.29	2.55	2.55	2.55	2.56	2.87	2.87	2.87	2.88											
		Amps	6.05	6.05	6.03	6.10	6.93	6.92	6.91	6.97	7.91	7.90	7.88	7.95	8.96	8.96	8.94	9.01	10.14	10.14	10.12	10.19	11.53	11.52	11.51	11.57											
	Hi PR	250	251	252	257	289	290	292	296	330	331	333	337	374	375	377	381	422	423	424	429	472	473	475	480												
	Lo PR	130	131	135	140	138	139	143	148	144	146	149	155	150	152	155	161	156	158	161	166	163	165	168	173												
	MBh	30.4	30.8	31.7	33.1	30.1	30.6	31.5	32.8	29.4	29.8	30.7	32.0	28.0	28.4	29.3	30.7	26.4	26.8	27.7	29.0	24.9	25.3	26.2	27.5												
	S/T	0.81	0.73	0.59	0.45	1.00	0.74	0.60	0.45	1.00	0.76	0.62	0.48	1.00	0.78	0.64	0.50	1.00	0.80	0.66	0.52	1.00	0.82	0.68	0.54												
	ΔT	13.76	12.65	10.58	8.43	13.72	12.62	10.55	8.40	13.88	12.77	10.70	8.56	13.71	12.60	10.53	8.39	13.57	12.46	10.39	8.24	14.26	13.15	11.08	8.94												
kW	1.62	1.61	1.61	1.63	1.82	1.81	1.81	1.83	2.04	2.04	2.04	2.05	2.28	2.28	2.28	2.29	2.56	2.55	2.55	2.57	2.87	2.87	2.87	2.88													
Amps	6.07	6.07	6.05	6.12	6.95	6.94	6.93	6.99	7.93	7.92	7.90	7.97	8.98	8.98	8.96	9.03	10.16	10.16	10.14	10.21	11.55	11.54	11.53	11.59													
Hi PR	251	252	253	258	290	291	293	297	331	332	334	338	375	376	378	382	423	424	425	430	473	474	476	481													
Lo PR	131	132	136	141	139	140	143	149	145	147	150	156	151	153	156	162	157	158	162	167	164	166	169	174													
MBh	31.3	31.7	32.6	33.9	31.0	31.4	32.3	33.7	30.2	30.6	31.5	32.9	28.9	29.3	30.2	31.5	27.2	27.6	28.5	29.9	25.7	26.1	27.0	28.4													
S/T	1.00	0.77	0.64	0.49	1.00	0.78	0.64	0.50	1.00	0.81	0.67	0.52	1.00	0.83	0.69	0.54	1.00	0.85	0.71	0.57	1.00	0.87	0.73	0.59													
ΔT	12.84	11.73	9.66	7.52	12.81	11.70	9.63	7.49	12.97	11.86	9.79	7.64	12.80	11.69	9.62	7.48	12.65	11.54	9.47	7.33	13.34	12.24	10.17	8.02													
kW	1.63	1.63	1.62	1.64	1.83	1.83	1.83	1.84	2.06	2.05	2.05	2.07	2.30	2.30	2.29	2.31	2.57	2.57	2.57	2.58	2.89	2.89	2.88	2.90													
Amps	6.14	6.13	6.11	6.18	7.01	7.00	6.99	7.06	7.99	7.98	7.97	8.03	9.04	9.04	9.02	9.09	10.23	10.22	10.20	10.27	11.61	11.60	11.59	11.66													
Hi PR	254	255	257	261	293	294	296	300	334	335	337	341	378	379	381	386	426	427	429	433	477	478	480	484													
Lo PR	134	136	139	145	142	144	147	153	149	151	154	159	155	156	160	165	161	162	165	171	168	169	173	178													

IDB: Entering Indoor Dry Bulb Temperature  
 High and low pressures are measured at the liquid and suction access fittings.  
 Design Subcooling 8 ± 2 °F @ the liquid access fitting connection AHR1 95 test conditions. Design Superheat 15 ± 2 °F @ the compressor suction access fitting connection.  
 Shaded area reflects ACCA (TVA) conditions.  
 kW = Total system power  
 Amps = outdoor unit amps (comp.+fan)

EXPANDED COOLING DATA — DP5HM4241\*\* (LOW STAGE) (CONT.)

IDB	AIRFLOW	OUTDOOR AMBIENT TEMPERATURE												105°F												115°F											
		65°F				75°F				85°F				95°F				105°F				115°F															
		59	63	67	71	59	63	67	71	59	63	67	71	59	63	67	71	59	63	67	71	59	63	67	71												
80	989	MBh	30.4	30.8	31.7	33.1	30.1	30.5	31.4	32.8	29.3	29.7	30.6	32.0	28.0	28.4	29.3	30.7	26.3	26.7	27.6	29.0	24.8	25.2	26.1	27.5											
		S/T	1.00	0.83	0.69	0.55	1.00	0.84	0.70	0.56	1.00	1.00	0.73	0.58	1.00	1.00	0.75	0.60	1.00	1.00	0.77	0.62	1.00	1.00	0.77	0.62											
		ΔT	16.50	15.39	13.32	11.18	16.47	15.36	13.29	11.15	16.63	15.52	13.45	11.30	16.46	15.35	13.28	11.14	16.31	15.20	13.13	10.99	17.01	15.90	13.83	11.68											
		kW	1.61	1.61	1.61	1.62	1.81	1.81	1.81	1.82	2.04	2.04	2.03	2.05	2.28	2.28	2.28	2.29	2.55	2.55	2.55	2.56	2.87	2.87	2.87	2.88											
		Amps	6.06	6.05	6.04	6.10	6.93	6.93	6.91	6.98	7.91	7.90	7.89	7.96	8.97	8.96	8.95	9.01	10.15	10.14	10.13	10.19	11.53	11.53	11.51	11.58											
		Hi PR	250	251	253	257	289	290	292	296	330	331	333	337	374	375	377	382	422	423	425	429	473	474	476	480											
	Lo PR	130	132	135	141	138	140	143	149	145	147	150	155	151	152	156	161	157	158	161	167	164	165	169	174												
	MBh	30.6	31.0	31.9	33.2	30.3	30.7	31.6	33.0	29.5	29.9	30.8	32.2	28.2	28.6	29.5	30.8	26.5	26.9	27.8	29.2	25.0	25.4	26.3	27.7												
	S/T	1.00	0.86	0.72	0.57	1.00	0.86	0.73	0.58	1.00	1.00	0.75	0.61	1.00	1.00	0.77	0.63	1.00	1.00	0.79	0.65	1.00	1.00	0.77	0.63												
	ΔT	16.21	15.10	13.03	10.89	16.18	15.07	13.00	10.86	16.33	15.23	13.16	11.01	16.17	15.06	12.99	10.84	16.02	14.91	12.84	10.70	16.71	15.60	13.54	11.39												
	kW	1.62	1.61	1.61	1.63	1.82	1.82	1.81	1.83	2.04	2.04	2.04	2.05	2.29	2.28	2.28	2.30	2.56	2.56	2.55	2.57	2.88	2.87	2.87	2.89												
	Amps	6.08	6.07	6.06	6.12	6.95	6.95	6.93	7.00	7.93	7.92	7.91	7.98	8.99	8.98	8.97	9.03	10.17	10.16	10.15	10.21	11.55	11.55	11.53	11.60												
Hi PR	251	252	254	258	290	291	293	297	331	332	334	338	375	376	378	382	423	424	426	430	474	475	477	481													
Lo PR	131	133	136	142	139	141	144	149	146	148	151	156	152	153	157	162	157	159	162	168	165	166	169	175													
MBh	31.4	31.8	32.7	34.1	31.1	31.6	32.5	33.8	30.4	30.8	31.7	33.1	29.0	29.4	30.3	31.7	27.4	27.8	28.7	30.1	25.9	26.3	27.2	28.6													
S/T	1.00	0.90	0.76	0.62	1.00	0.91	0.77	0.62	1.00	1.00	0.80	0.65	1.00	1.00	0.82	0.67	1.00	1.00	0.84	0.69	1.00	1.00	0.77	0.63													
ΔT	15.29	14.19	12.12	9.97	15.26	14.16	12.09	9.94	15.42	14.31	12.24	10.10	15.25	14.14	12.07	9.93	15.10	14.00	11.93	9.78	15.80	14.69	12.62	10.48													
kW	1.63	1.63	1.63	1.64	1.83	1.83	1.83	1.84	2.06	2.05	2.05	2.07	2.30	2.30	2.29	2.31	2.57	2.57	2.57	2.58	2.89	2.89	2.88	2.90													
Amps	6.14	6.13	6.12	6.19	7.02	7.01	6.99	7.06	7.99	7.99	7.97	8.04	9.05	9.04	9.03	9.09	10.23	10.22	10.21	10.28	11.62	11.61	11.59	11.66													
Hi PR	254	256	257	262	294	295	296	301	335	336	337	342	379	380	382	386	426	428	429	434	477	478	480	484													
Lo PR	135	137	140	145	143	144	148	153	150	151	155	160	155	157	160	166	161	163	166	172	168	170	173	179													
85	989	MBh	30.9	31.3	32.2	33.6	30.6	31.0	31.9	33.3	29.8	30.2	31.1	32.5	28.5	28.9	29.8	31.2	26.8	27.3	28.1	29.5	25.3	25.7	26.6	28.0											
		S/T	1.00	0.93	0.80	0.65	1.00	1.00	0.80	0.66	1.00	1.00	0.83	0.68	1.00	1.00	0.85	0.70	1.00	1.00	0.73	1.00	1.00	0.73	0.58												
		ΔT	18.68	17.57	15.50	13.36	18.65	17.54	15.47	13.33	18.80	17.70	15.63	13.48	18.64	17.53	15.46	13.31	18.49	17.38	15.31	13.17	19.18	18.07	16.00	13.86											
		kW	1.62	1.61	1.61	1.63	1.82	1.82	1.81	1.83	2.04	2.04	2.04	2.05	2.28	2.28	2.28	2.30	2.56	2.55	2.55	2.57	2.87	2.87	2.87	2.89											
		Amps	6.08	6.07	6.05	6.12	6.95	6.94	6.93	7.00	7.93	7.92	7.91	7.97	8.98	8.98	8.96	9.03	10.17	10.16	10.14	10.21	11.55	11.54	11.53	11.60											
		Hi PR	251	252	254	258	290	291	293	297	331	332	334	339	376	377	378	383	423	424	426	430	474	475	477	481											
	Lo PR	132	134	137	143	140	142	145	150	147	149	152	157	153	154	158	163	158	160	163	169	166	167	170	176												
	MBh	31.1	31.5	32.4	33.8	30.8	31.2	32.1	33.5	30.0	30.4	31.3	32.7	28.7	29.1	30.0	31.4	27.0	27.4	28.3	29.7	25.5	25.9	26.8	28.2												
	S/T	1.00	0.96	0.82	0.68	1.00	1.00	0.83	0.68	1.00	1.00	0.85	0.71	1.00	1.00	0.87	0.73	1.00	1.00	0.75	1.00	1.00	0.75	0.58													
	ΔT	18.39	17.28	15.21	13.06	18.36	17.25	15.18	13.03	18.51	17.40	15.33	13.19	18.34	17.24	15.17	13.02	18.20	17.09	15.02	12.87	18.89	17.78	15.71	13.57												
	kW	1.62	1.62	1.62	1.63	1.82	1.82	1.82	1.83	2.05	2.04	2.04	2.06	2.29	2.29	2.28	2.30	2.56	2.56	2.56	2.57	2.88	2.88	2.87	2.89												
	Amps	6.10	6.09	6.07	6.14	6.97	6.96	6.95	7.02	7.95	7.94	7.93	7.99	9.00	9.00	8.98	9.05	10.19	10.18	10.16	10.23	11.57	11.56	11.55	11.62												
Hi PR	252	253	255	259	291	292	294	298	332	333	335	339	377	378	379	384	424	425	427	431	475	476	478	482													
Lo PR	133	135	138	144	141	143	146	151	148	149	153	158	154	155	159	164	159	161	164	170	167	168	171	177													
MBh	31.9	32.3	33.2	34.6	31.7	32.1	33.0	34.3	30.9	31.3	32.2	33.6	29.5	29.9	30.8	32.2	27.9	28.3	29.2	30.6	26.4	26.8	27.7	29.1													
S/T	1.00	1.00	0.87	0.72	1.00	1.00	0.87	0.73	1.00	1.00	0.90	0.75	1.00	1.00	0.88	0.77	1.00	1.00	0.80	1.00	1.00	0.80	0.58														
ΔT	17.47	16.36	14.29	12.15	17.44	16.33	14.26	12.12	17.60	16.49	14.42	12.27	17.43	16.32	14.25	12.11	17.28	16.17	14.10	11.96	17.98	16.87	14.80	12.65													
kW	1.63	1.63	1.63	1.64	1.84	1.83	1.83	1.85	2.06	2.06	2.06	2.07	2.30	2.30	2.30	2.31	2.58	2.57	2.57	2.59	2.89	2.89	2.89	2.90													
Amps	6.16	6.15	6.14	6.20	7.03	7.03	7.01	7.08	8.01	8.00	7.99	8.05	9.07	9.06	9.04	9.11	10.25	10.24	10.22	10.29	11.63	11.63	11.61	11.68													
Hi PR	256	257	258	263	295	296	298	302	336	337	339	343	380	381	383	387	428	429	430	435	478	480	481	486													
Lo PR	137	138	142	147	145	146	150	155	152	153	156	162	157	159	162	168	163	165	168	173	170	172	175	181													

IDB: Entering Indoor Dry Bulb Temperature  
 High and low pressures are measured at the liquid and suction access fittings.  
 Shaded area reflects AHRI conditions.  
 kW = Total system power  
 Amps = outdoor unit amps (comp.+fan)

EXPANDED COOLING DATA — DP5HM4841\*\* (HIGH STAGE)

IDB	AIRFLOW	OUTDOOR AMBIENT TEMPERATURE																									
		65°F				75°F				85°F				95°F				105°F				115°F					
		59	63	67	71	59	63	67	71	59	63	67	71	59	63	67	71	59	63	67	71	59	63	67	71		
70	1400	MBh	47.31	47.98	49.39	-	46.88	47.55	48.97	-	45.65	46.32	47.73	-	43.52	44.19	45.61	-	40.93	41.59	43.01	-	38.56	39.22	40.64	-	
		S/T	0.62	0.54	0.41	-	0.63	0.55	0.41	-	0.65	0.58	0.44	-	1.00	0.60	0.46	-	1.00	0.62	0.48	-	1.00	0.67	0.53	-	
		ΔT	13.44	12.20	9.88	-	13.41	12.16	9.84	-	13.58	12.34	10.02	-	13.40	12.15	9.83	-	13.23	11.99	9.66	-	14.01	12.76	10.44	-	
	1600	kW	2.97	2.97	2.97	-	3.34	3.33	3.33	-	3.74	3.74	3.73	-	4.18	4.17	4.17	-	4.66	4.66	4.65	-	5.23	5.23	5.23	-	
		Amps	10.73	10.72	10.69	-	12.30	12.29	12.26	-	14.05	14.04	14.01	-	15.95	15.94	15.91	-	18.07	18.06	18.03	-	20.55	20.54	20.52	-	
		Hi PR	270.85	272.02	273.93	-	313.58	314.76	316.66	-	358.36	359.53	361.44	-	406.57	407.75	409.65	-	458.56	459.73	461.63	-	514.03	515.20	517.11	-	
	1800	Lo PR	124.09	125.62	128.78	-	131.64	133.18	136.33	-	138.25	139.79	142.95	-	143.84	145.38	148.54	-	149.33	150.87	154.02	-	156.20	157.74	160.90	-	
		MBh	47.93	48.60	50.01	-	47.51	48.17	49.59	-	46.27	46.94	48.35	-	44.15	44.81	46.23	-	41.55	42.22	43.63	-	39.18	39.85	41.26	-	
		S/T	0.68	0.61	0.47	-	0.69	0.61	0.47	-	0.72	0.64	0.50	-	1.00	0.66	0.52	-	1.00	0.68	0.54	-	1.00	0.73	0.59	-	
	75	1400	ΔT	12.69	11.45	9.13	-	12.66	11.41	9.09	-	12.83	11.59	9.27	-	12.64	11.40	9.08	-	12.48	11.24	8.91	-	13.26	12.01	9.69	-
			kW	2.99	2.99	2.98	-	3.35	3.35	3.35	-	3.76	3.75	3.75	-	4.19	4.19	4.18	-	4.68	4.68	4.67	-	5.25	5.25	5.24	-
			Amps	10.81	10.80	10.77	-	12.38	12.37	12.34	-	14.13	14.12	14.09	-	16.03	16.02	15.99	-	18.15	18.14	18.11	-	20.64	20.62	20.60	-
1600		Hi PR	273.15	274.32	276.23	-	315.89	317.06	318.97	-	360.66	361.84	363.74	-	408.87	410.05	411.95	-	460.86	462.03	463.94	-	516.33	517.51	519.41	-	
		Lo PR	125.92	127.45	130.61	-	133.47	135.00	138.16	-	140.08	141.61	144.77	-	145.67	147.20	150.36	-	151.16	152.69	155.85	-	158.03	159.56	162.72	-	
		MBh	48.68	49.34	50.76	-	48.25	48.92	50.33	-	47.02	47.69	49.10	-	44.89	45.56	46.97	-	42.29	42.96	44.38	-	39.92	40.59	42.00	-	
1800		S/T	0.72	0.64	0.50	-	0.73	0.65	0.51	-	0.75	0.67	0.53	-	1.00	0.69	0.55	-	1.00	0.72	0.58	-	1.00	0.77	0.63	-	
		ΔT	12.06	10.82	8.49	-	12.02	10.78	8.46	-	12.20	10.96	8.64	-	12.01	10.77	8.45	-	11.85	10.60	8.28	-	12.62	11.38	9.06	-	
		kW	3.01	3.01	3.00	-	3.37	3.37	3.36	-	3.77	3.77	3.76	-	4.21	4.21	4.20	-	4.70	4.69	4.69	-	5.27	5.27	5.26	-	
1400		Amps	10.88	10.86	10.84	-	12.45	12.44	12.41	-	14.20	14.19	14.16	-	16.10	16.09	16.06	-	18.22	18.21	18.18	-	20.70	20.69	20.67	-	
		Hi PR	275.38	276.55	278.46	-	318.12	319.29	321.20	-	362.89	364.07	365.97	-	411.11	412.28	414.19	-	463.09	464.26	466.17	-	518.56	519.74	521.64	-	
		Lo PR	127.94	129.47	132.63	-	135.49	137.02	140.18	-	142.10	143.63	146.79	-	147.69	149.22	152.38	-	153.18	154.71	157.87	-	160.05	161.58	164.74	-	
75	1400	MBh	47.34	48.00	49.42	51.58	46.91	47.58	48.99	51.15	45.68	46.35	47.76	49.92	43.55	44.22	45.63	47.79	40.95	41.62	43.04	45.19	38.58	39.25	40.66	42.82	
		S/T	0.76	0.68	0.54	0.39	0.76	0.68	0.54	0.40	1.00	0.71	0.57	0.42	1.00	0.73	0.59	0.44	1.00	0.75	0.61	0.47	1.00	1.00	0.67	0.52	
		ΔT	16.18	14.93	12.61	10.21	16.14	14.90	12.58	10.17	16.32	15.07	12.75	10.35	16.13	14.89	12.56	10.16	15.96	14.72	12.40	9.99	16.74	15.50	13.18	10.77	
	1600	kW	2.97	2.97	2.96	2.99	3.33	3.33	3.32	3.35	3.74	3.73	3.73	3.76	4.17	4.17	4.16	4.19	4.66	4.66	4.65	4.68	5.23	5.23	5.22	5.25	
		Amps	10.72	10.70	10.68	10.80	12.29	12.28	12.25	12.37	14.04	14.03	14.00	14.12	15.94	15.93	15.90	16.02	18.06	18.05	18.02	18.14	20.54	20.53	20.51	20.63	
		Hi PR	271.09	272.26	274.16	278.89	313.82	315.00	316.90	321.62	358.60	359.77	361.68	366.40	406.81	407.99	409.89	414.61	458.79	459.97	461.87	466.59	514.27	515.44	517.35	522.07	
	1800	Lo PR	124.12	125.65	128.81	134.10	131.67	133.20	136.36	141.65	138.28	139.82	142.98	148.26	143.87	145.41	148.57	153.85	149.36	150.89	154.05	159.34	156.23	157.76	160.92	166.21	
		MBh	47.96	48.63	50.04	52.20	47.53	48.20	49.62	51.77	46.30	46.97	48.38	50.54	44.17	44.84	46.25	48.41	41.58	42.24	43.66	45.82	39.20	39.87	41.29	43.44	
		S/T	0.82	0.74	0.60	0.45	1.00	0.74	0.61	0.46	1.00	0.77	0.63	0.48	1.00	0.79	0.65	0.50	1.00	0.81	0.67	0.53	1.00	1.00	0.73	0.58	
	1400	ΔT	15.42	14.18	11.86	9.46	15.39	14.15	11.83	9.42	15.56	14.32	12.00	9.60	15.38	14.13	11.81	9.41	15.21	13.97	11.65	9.24	15.99	14.75	12.43	10.02	
		kW	2.99	2.99	2.98	3.01	3.35	3.35	3.34	3.37	3.76	3.75	3.75	3.77	4.19	4.19	4.18	4.21	4.68	4.68	4.67	4.70	5.25	5.25	5.24	5.27	
		Amps	10.80	10.79	10.76	10.88	12.37	12.36	12.33	12.45	14.12	14.11	14.08	14.20	16.02	16.01	15.98	16.10	18.14	18.13	18.10	18.22	20.63	20.61	20.59	20.71	
1600	Hi PR	273.39	274.56	276.47	281.19	316.13	317.30	319.20	323.93	360.90	362.08	363.98	368.70	409.11	410.29	412.19	416.91	461.10	462.27	464.17	468.90	516.57	517.74	519.65	524.37		
	Lo PR	125.95	127.48	130.64	135.92	133.50	135.03	138.19	143.47	140.11	141.64	144.80	150.09	145.70	147.23	150.39	155.68	151.19	152.72	155.88	161.16	158.06	159.59	162.75	168.03		
	MBh	48.70	49.37	50.79	52.94	48.28	48.95	50.36	52.52	47.05	47.71	49.13	51.29	44.92	45.59	47.00	49.16	42.32	42.99	44.40	46.56	39.95	40.62	42.03	44.19		
1800	S/T	0.85	0.77	0.63	0.49	1.00	0.78	0.64	0.49	1.00	0.81	0.67	0.52	1.00	0.83	0.69	0.54	1.00	1.00	0.71	0.56	1.00	1.00	0.76	0.61		
	ΔT	14.79	13.55	11.23	8.82	14.76	13.51	11.19	8.79	14.93	13.69	11.37	8.96	14.75	13.50	11.18	8.78	14.58	13.34	11.01	8.61	15.36	14.11	11.79	9.39		
	kW	3.01	3.00	3.00	3.03	3.37	3.36	3.36	3.39	3.77	3.77	3.76	3.79	4.21	4.20	4.20	4.23	4.69	4.69	4.69	4.71	5.27	5.26	5.26	5.29		
1400	Amps	10.87	10.85	10.83	10.95	12.44	12.43	12.40	12.52	14.19	14.18	14.15	14.27	16.09	16.08	16.05	16.17	18.21	18.20	18.17	18.29	20.69	20.68	20.66	20.78		
	Hi PR	275.62	276.79	278.70	283.42	318.36	319.53	321.44	326.16	363.13	364.31	366.21	370.93	411.35	412.52	414.43	419.15	463.33	464.50	466.41	471.13	518.80	519.98	521.88	526.60		
	Lo PR	127.97	129.50	132.66	137.94	135.52	137.05	140.21	145.50	142.13	143.66	146.82	152.11	147.72	149.25	152.41	157.70	153.21	154.74	157.90	163.19	160.08	161.61	164.77	170.06		

IDB: Entering Indoor Dry Bulb Temperature  
 High and low pressures are measured at the liquid and suction access fittings.  
 Design Subcooling 8 ±2 °F @ the liquid access fitting connection AHR1 95 test conditions. Design Superheat 15 ±2 °F @ the compressor suction access fitting connection.  
 Shaded area reflects ACCA (TVA) conditions.  
 kW = Total system power  
 Amps = outdoor unit amps (comp.+fan)

EXPANDED COOLING DATA — DP5HM4841\*\* (HIGH STAGE) (CONT.)

IDB		OUTDOOR AMBIENT TEMPERATURE																																			
		65°F						75°F						85°F						95°F						105°F						115°F					
		59	63	67	71	59	63	67	71	59	63	67	71	59	63	67	71	59	63	67	71	59	63	67	71	59	63	67	71								
		ENTERING INDOOR WET BULB TEMPERATURE																																			
AIRFLOW																																					
1400	MBh	47.6	48.2	49.7	51.8	47.2	47.8	49.2	51.4	45.9	46.6	48.0	50.2	43.8	44.5	45.9	48.0	41.2	41.9	43.3	45.4	38.8	39.5	40.9	43.1	38.8	39.5	40.9	43.1								
	S/T	1.00	0.81	0.67	0.52	1.00	0.81	0.67	0.53	1.00	0.84	0.70	0.55	1.00	1.00	0.72	0.57	1.00	1.00	0.74	0.59	1.00	1.00	0.79	0.65	1.00	1.00	0.79	0.65								
	ΔT	18.93	17.68	15.36	12.96	18.89	17.65	15.33	12.92	19.07	17.82	15.50	13.10	18.88	17.64	15.32	12.91	18.71	17.47	15.15	12.75	19.49	18.25	15.93	13.52	19.49	18.25	15.93	13.52								
	kW	2.97	2.97	2.96	2.99	3.34	3.33	3.33	3.35	3.74	3.74	3.73	3.76	4.17	4.17	4.17	4.19	4.66	4.66	4.65	4.68	5.23	5.23	5.23	5.25	5.23	5.23	5.23	5.25								
	Amps	10.73	10.71	10.69	10.81	12.30	12.28	12.26	12.38	14.05	14.04	14.01	14.13	15.95	15.93	15.91	16.03	18.07	18.05	18.03	18.15	20.55	20.54	20.51	20.63	20.55	20.54	20.51	20.63								
	Hi PR	272	273	275	279	314	315	317	322	359	360	362	367	407	408	410	415	459	460	462	467	515	516	518	523	515	516	518	523								
Lo PR	125	126	129	135	132	134	137	142	139	140	144	149	144	146	149	154	150	151	155	160	157	158	161	167	157	158	161	167									
80	MBh	48.2	48.9	50.3	52.4	47.8	48.4	49.9	52.0	46.5	47.2	48.6	50.8	44.4	45.1	46.5	48.7	41.8	42.5	43.9	46.1	39.4	40.1	41.5	43.7	39.4	40.1	41.5	43.7								
	S/T	1.00	0.87	0.73	0.58	1.00	0.87	0.73	0.59	1.00	0.90	0.76	0.61	1.00	1.00	0.78	0.63	1.00	1.00	0.80	0.66	1.00	1.00	0.86	0.71	1.00	1.00	0.86	0.71								
	ΔT	18.18	16.93	14.61	12.21	18.14	16.90	14.58	12.17	18.32	17.07	14.75	12.35	18.13	16.89	14.57	12.16	17.96	16.72	14.40	11.99	18.74	17.50	15.18	12.77	18.74	17.50	15.18	12.77								
	kW	2.99	2.99	2.98	3.01	3.35	3.35	3.34	3.37	3.76	3.75	3.75	3.78	4.19	4.19	4.18	4.21	4.68	4.68	4.67	4.70	5.25	5.25	5.24	5.27	5.25	5.25	5.24	5.27								
	Amps	10.81	10.79	10.77	10.89	12.38	12.37	12.34	12.46	14.13	14.12	14.09	14.21	16.03	16.02	15.99	16.11	18.15	18.14	18.11	18.23	20.63	20.62	20.60	20.72	20.63	20.62	20.60	20.72								
	Hi PR	274	275	277	282	317	318	320	324	361	363	364	369	410	411	413	417	462	463	465	469	517	518	520	525	517	518	520	525								
Lo PR	126	128	131	136	134	136	139	144	141	142	145	151	146	148	151	156	152	153	156	162	159	160	163	169	159	160	163	169									
1800	MBh	48.9	49.6	51.0	53.2	48.5	49.2	50.6	52.8	47.3	48.0	49.4	51.5	45.2	45.8	47.2	49.4	42.6	43.2	44.6	46.8	40.2	40.9	42.3	44.4	40.2	40.9	42.3	44.4								
	S/T	1.00	0.90	0.76	0.62	1.00	0.91	0.77	0.62	1.00	0.93	0.80	0.65	1.00	1.00	0.82	0.67	1.00	1.00	0.84	0.69	1.00	1.00	0.89	0.74	1.00	1.00	0.89	0.74								
	ΔT	17.54	16.30	13.98	11.57	17.51	16.27	13.95	11.54	17.68	16.44	14.12	11.72	17.50	16.25	13.93	11.53	17.33	16.09	13.77	11.36	18.11	16.87	14.55	12.14	18.11	16.87	14.55	12.14								
	kW	3.01	3.01	3.00	3.03	3.37	3.37	3.36	3.39	3.77	3.77	3.76	3.79	4.21	4.21	4.20	4.23	4.70	4.69	4.69	4.72	5.27	5.27	5.26	5.29	5.27	5.27	5.26	5.29								
	Amps	10.88	10.86	10.84	10.96	12.45	12.43	12.41	12.53	14.20	14.19	14.16	14.28	16.10	16.08	16.06	16.18	18.22	18.20	18.18	18.30	20.70	20.69	20.66	20.78	20.70	20.69	20.66	20.78								
	Hi PR	276	277	279	284	319	320	322	327	364	365	367	371	412	413	415	420	464	465	467	472	519	520	522	527	519	520	522	527								
Lo PR	129	130	133	138	136	138	141	146	143	144	147	153	148	150	153	158	154	155	158	164	161	162	165	171	161	162	165	171									
1400	MBh	48.4	49.0	50.5	52.6	48.0	48.6	50.0	52.2	46.7	47.4	48.8	51.0	44.6	45.3	46.7	48.8	42.0	42.7	44.1	46.2	39.6	40.3	41.7	43.9	39.6	40.3	41.7	43.9								
	S/T	1.00	0.91	0.77	0.62	1.00	1.00	0.78	0.63	1.00	1.00	0.80	0.66	1.00	1.00	0.82	0.68	1.00	1.00	0.85	0.70	1.00	1.00	1.00	0.75	1.00	1.00	1.00	0.75								
	ΔT	21.37	20.12	17.80	15.40	21.33	20.09	17.77	15.36	21.51	20.27	17.94	15.54	21.32	20.08	17.76	15.35	21.15	19.91	17.59	15.19	21.93	20.69	18.37	15.96	21.93	20.69	18.37	15.96								
	kW	2.98	2.98	2.97	3.00	3.34	3.34	3.33	3.36	3.75	3.74	3.74	3.76	4.18	4.18	4.17	4.20	4.67	4.67	4.66	4.69	5.24	5.24	5.23	5.26	5.24	5.24	5.23	5.26								
	Amps	10.76	10.74	10.72	10.84	12.33	12.31	12.29	12.41	14.08	14.07	14.04	14.16	15.98	15.96	15.94	16.06	18.10	18.08	18.06	18.18	20.58	20.57	20.54	20.66	20.58	20.57	20.54	20.66								
	Hi PR	273	274	276	281	316	317	319	323	360	362	363	368	409	410	412	416	461	462	464	468	516	517	519	524	516	517	519	524								
Lo PR	127	128	131	137	134	136	139	144	141	142	145	151	146	148	151	156	152	153	156	162	159	160	163	169	159	160	163	169									
85	MBh	49.0	49.7	51.1	53.2	48.6	49.2	50.7	52.8	47.3	48.0	49.4	51.6	45.2	45.9	47.3	49.5	42.6	43.3	44.7	46.9	40.2	40.9	42.3	44.5	40.2	40.9	42.3	44.5								
	S/T	1.00	0.97	0.83	0.69	1.00	1.00	0.84	0.69	1.00	1.00	0.86	0.72	1.00	1.00	0.88	0.74	1.00	1.00	0.91	0.76	1.00	1.00	1.00	0.81	1.00	1.00	1.00	0.81								
	ΔT	20.62	19.37	17.05	14.65	20.58	19.34	17.02	14.61	20.76	19.51	17.19	14.79	20.57	19.33	17.01	14.60	20.40	19.16	16.84	14.44	21.18	19.94	17.62	15.21	21.18	19.94	17.62	15.21								
	kW	3.00	3.00	2.99	3.02	3.36	3.36	3.35	3.38	3.76	3.76	3.75	3.78	4.20	4.20	4.19	4.22	4.69	4.69	4.68	4.71	5.26	5.26	5.25	5.28	5.26	5.26	5.25	5.28								
	Amps	10.84	10.82	10.80	10.92	12.41	12.40	12.37	12.49	14.16	14.15	14.12	14.24	16.06	16.05	16.02	16.14	18.18	18.17	18.14	18.26	20.66	20.65	20.63	20.75	20.66	20.65	20.63	20.75								
	Hi PR	275	276	278	283	318	319	321	326	363	364	366	370	411	412	414	419	463	464	466	471	518	520	521	526	518	520	521	526								
Lo PR	128	130	133	138	136	137	141	146	143	144	147	153	148	150	153	158	154	155	158	164	160	162	165	170	160	162	165	170									
1600	MBh	49.7	50.4	51.8	54.0	49.3	50.0	51.4	53.6	48.1	48.8	50.2	52.3	46.0	46.6	48.0	50.2	43.4	44.0	45.4	47.6	41.0	41.7	43.1	45.2	41.0	41.7	43.1	45.2								
	S/T	1.00	1.00	0.87	0.72	1.00	1.00	0.87	0.73	1.00	1.00	0.90	0.75	1.00	1.00	0.92	0.77	1.00	1.00	1.00	0.80	1.00	1.00	1.00	0.85	1.00	1.00	1.00	0.85								
	ΔT	19.98	18.74	16.42	14.02	19.95	18.71	16.39	13.98	20.13	18.88	16.56	14.16	19.94	18.69	16.37	13.97	19.77	18.53	16.21	13.80	20.55	19.31	16.99	14.58	20.55	19.31	16.99	14.58								
	kW	3.02	3.01	3.01	3.03	3.38	3.37	3.37	3.40	3.78	3.78	3.77	3.80	4.22	4.21	4.21	4.23	4.70	4.70	4.69	4.72	5.28	5.27	5.27	5.29	5.28	5.27	5.27	5.29								
	Amps	10.91	10.89	10.87	10.99	12.48	12.46	12.44	12.56	14.23	14.22	14.19	14.31	16.13	16.11	16.09	16.21	18.25	18.23	18.21	18.33	20.73	20.72	20.69	20.81	20.73	20.72	20.69	20.81								
	Hi PR	277	279	280	285	320	321	323	328	365	366	368	373	413	414	416	421	465	466	468	473	521	522	524	528	521	522	524	528								
Lo PR	130	132	135	140	138	139	143	148	145	146	149	155	150	152	155	160	156	157	160	166	162	164	167	172	162	164	167	172									

IDB: Entering Indoor Dry Bulb Temperature  
 High and low pressures are measured at the liquid and suction access fittings.  
 Shaded area reflects AHRI conditions.  
 kW = Total system power  
 Amps = outdoor unit amps (comp.+fan)



EXPANDED COOLING DATA — DP5HM4841\*\* (LOW STAGE)

IDB		OUTDOOR AMBIENT TEMPERATURE																																			
		65°F						75°F						85°F						95°F						105°F						115°F					
		59	63	67	71	59	63	67	71	59	63	67	71	59	63	67	71	59	63	67	71	59	63	67	71	59	63	67	71								
70	1006	MBh	34.0	34.5	35.5	-	33.7	34.2	35.2	-	32.8	33.3	34.3	-	31.3	31.8	32.8	-	29.4	29.9	30.9	-	27.7	28.2	29.2	-	27.7	28.2	29.2	-							
		S/T	0.64	0.56	0.42	-	0.65	0.57	0.42	-	0.67	0.59	0.45	-	1.00	0.61	0.47	-	1.00	0.64	0.49	-	1.00	0.69	0.55	-	1.00	0.69	0.55	-							
		ΔT	12.97	11.77	9.53	-	12.94	11.74	9.50	-	13.11	11.91	9.67	-	12.93	11.73	9.49	-	12.77	11.57	9.33	-	13.52	12.32	10.08	-	13.52	12.32	10.08	-							
		kW	1.87	1.87	1.87	-	2.10	2.10	2.09	-	2.35	2.35	2.35	-	2.63	2.62	2.62	-	2.93	2.93	2.93	-	3.29	3.29	3.29	-	3.29	3.29	3.29	-							
		Amps	6.75	6.74	6.72	-	7.74	7.73	7.71	-	8.84	8.83	8.81	-	10.03	10.02	10.01	-	11.36	11.36	11.34	-	12.93	12.92	12.90	-	12.93	12.92	12.90	-							
	Hi-PR	259	260	262	-	300	301	303	-	343	344	346	-	389	390	392	-	438	440	441	-	491	493	494	-	491	493	494	-								
	Lo-PR	128	129	132	-	135	137	140	-	142	144	147	-	148	149	153	-	154	155	158	-	161	162	165	-	161	162	165	-								
	MBh	34.5	34.9	36.0	-	34.2	34.6	35.7	-	33.3	33.7	34.8	-	31.7	32.2	33.2	-	29.9	30.4	31.4	-	28.2	28.6	29.7	-	28.2	28.6	29.7	-								
	S/T	0.70	0.62	0.48	-	0.71	0.63	0.49	-	1.00	0.66	0.51	-	1.00	0.68	0.53	-	1.00	0.70	0.56	-	1.00	1.00	1.00	-	1.00	1.00	1.00	-								
	ΔT	12.25	11.05	8.81	-	12.21	11.01	8.77	-	12.38	11.18	8.94	-	12.20	11.00	8.76	-	12.04	10.84	8.60	-	12.79	11.59	9.35	-	12.79	11.59	9.35	-								
kW	1.88	1.88	1.88	-	2.11	2.11	2.10	-	2.36	2.36	2.36	-	2.64	2.64	2.63	-	2.94	2.94	2.94	-	3.30	3.30	3.30	-	3.30	3.30	3.30	-									
Amps	6.80	6.79	6.77	-	7.79	7.78	7.76	-	8.89	8.88	8.86	-	10.08	10.07	10.06	-	11.42	11.41	11.39	-	12.98	12.97	12.96	-	12.98	12.97	12.96	-									
Hi-PR	261	262	264	-	302	303	305	-	345	346	348	-	391	392	394	-	441	442	444	-	494	495	497	-	494	495	497	-									
Lo-PR	129	131	134	-	137	139	142	-	144	146	149	-	150	151	155	-	155	157	160	-	162	164	167	-	162	164	167	-									
MBh	35.0	35.5	36.5	-	34.7	35.2	36.2	-	33.8	34.3	35.3	-	32.3	32.8	33.8	-	30.4	30.9	31.9	-	28.7	29.2	30.2	-	28.7	29.2	30.2	-									
S/T	0.74	0.66	0.52	-	0.74	0.66	0.52	-	1.00	0.69	0.55	-	1.00	0.71	0.57	-	1.00	0.73	0.59	-	1.00	1.00	1.00	-	1.00	1.00	1.00	-									
ΔT	11.64	10.44	8.20	-	11.60	10.40	8.16	-	11.77	10.57	8.33	-	11.59	10.39	8.15	-	11.43	10.23	7.99	-	12.18	10.98	8.74	-	12.18	10.98	8.74	-									
kW	1.89	1.89	1.89	-	2.12	2.12	2.11	-	2.37	2.37	2.37	-	2.65	2.65	2.64	-	2.95	2.95	2.95	-	3.31	3.31	3.31	-	3.31	3.31	3.31	-									
Amps	6.84	6.83	6.82	-	7.83	7.82	7.80	-	8.93	8.92	8.91	-	10.13	10.12	10.10	-	11.46	11.45	11.43	-	13.02	13.02	13.00	-	13.02	13.02	13.00	-									
Hi-PR	263	264	266	-	304	305	307	-	347	348	350	-	393	394	396	-	443	444	446	-	496	497	499	-	496	497	499	-									
Lo-PR	132	133	136	-	139	141	144	-	146	148	151	-	152	153	157	-	157	159	162	-	165	166	169	-	165	166	169	-									
75	1006	MBh	34.0	34.5	35.5	37.1	33.7	34.2	35.2	36.8	32.8	33.3	34.3	35.9	31.3	31.8	32.8	34.4	29.4	29.9	30.9	32.5	27.7	28.2	29.2	30.8											
		S/T	0.78	0.70	0.55	0.40	1.00	0.70	0.56	0.41	1.00	0.73	0.59	0.43	1.00	0.75	0.61	0.45	1.00	1.00	1.00	0.63	0.48	1.00	1.00	1.00	0.68	0.53									
		ΔT	15.61	14.41	12.17	9.85	15.58	14.38	12.14	9.82	15.74	14.55	12.31	9.98	15.56	14.36	12.12	9.80	15.40	14.20	11.96	9.64	16.15	14.96	12.72	10.39	16.15	14.96	12.72	10.39							
		kW	1.87	1.87	1.86	1.88	2.10	2.09	2.09	2.11	2.35	2.35	2.34	2.36	2.62	2.62	2.62	2.64	2.93	2.93	2.93	2.94	3.29	3.29	3.29	3.30	3.29	3.29	3.29	3.30							
		Amps	6.74	6.73	6.72	6.79	7.73	7.72	7.70	7.78	8.83	8.82	8.81	8.88	10.03	10.02	10.00	10.08	11.36	11.35	11.33	11.41	12.92	12.91	12.90	12.97	12.92	12.91	12.90	12.97							
	Hi-PR	259	260	262	267	300	301	303	307	343	344	346	350	389	390	392	396	439	440	442	446	492	493	495	499	492	493	495	499								
	Lo-PR	128	129	132	138	135	137	140	146	142	144	147	152	148	149	153	158	154	155	158	164	161	162	165	171	161	162	165	171								
	MBh	34.48	35.0	36.0	37.5	34.2	34.7	35.7	37.2	33.3	33.8	34.8	36.3	31.8	32.2	33.3	34.8	29.9	30.4	31.4	32.9	28.2	28.7	29.7	31.2	28.2	28.7	29.7	31.2								
	S/T	0.84	0.76	0.62	0.46	1.00	0.77	0.62	0.47	1.00	0.79	0.65	0.50	1.00	0.81	0.67	0.52	1.00	1.00	1.00	0.69	0.54	1.00	1.00	1.00	0.75	0.60										
	ΔT	14.88	13.68	11.44	9.12	14.85	13.65	11.41	9.09	15.02	13.82	11.58	9.26	14.84	13.64	11.40	9.08	14.68	13.48	11.24	8.92	15.43	14.23	11.99	9.67	15.43	14.23	11.99	9.67								
kW	1.88	1.88	1.88	1.89	2.11	2.11	2.10	2.12	2.36	2.36	2.36	2.37	2.64	2.63	2.63	2.65	2.94	2.94	2.94	2.95	3.30	3.30	3.30	3.31	3.30	3.30	3.30	3.31									
Amps	6.79	6.78	6.77	6.84	7.78	7.77	7.76	7.83	8.88	8.88	8.86	8.93	10.08	10.07	10.05	10.13	11.41	11.40	11.38	11.46	12.97	12.97	12.95	13.02	12.97	12.97	12.95	13.02									
Hi-PR	261	262	264	269	302	303	305	310	345	346	348	352	391	392	394	399	441	442	444	448	494	495	497	501	494	495	497	501									
Lo-PR	129	131	134	140	137	139	142	147	144	146	149	154	150	151	155	160	155	157	160	166	162	164	167	173	162	164	167	173									
MBh	35.0	35.5	36.5	38.1	34.7	35.2	36.2	37.8	33.8	34.3	35.3	36.9	32.3	32.8	33.8	35.3	30.4	30.9	31.9	33.5	28.7	29.2	30.2	31.8	28.7	29.2	30.2	31.8									
S/T	0.87	0.79	0.65	0.50	1.00	0.80	0.66	0.51	1.00	0.83	0.68	0.53	1.00	0.85	0.70	0.55	1.00	1.00	1.00	0.73	0.58	1.00	1.00	1.00	0.78	0.63											
ΔT	14.27	13.07	10.83	8.51	14.24	13.04	10.80	8.48	14.41	13.21	10.97	8.65	14.23	13.03	10.79	8.47	14.07	12.87	10.63	8.31	14.82	13.62	11.38	9.06	14.82	13.62	11.38	9.06									
kW	1.89	1.89	1.89	1.90	2.12	2.12	2.11	2.13	2.37	2.37	2.37	2.38	2.65	2.64	2.64	2.66	2.95	2.95	2.95	2.96	3.31	3.31	3.31	3.32	3.31	3.31	3.31	3.32									
Amps	6.84	6.83	6.81	6.89	7.82	7.82	7.80	7.87	8.93	8.92	8.90	8.98	10.12	10.11	10.09	10.17	11.45	11.44	11.43	11.50	13.02	13.01	12.99	13.07	13.02	13.01	12.99	13.07									
Hi-PR	263	265	266	271	304	305	307	312	347	348	350	355	393	394	396	401	443	444	446	450	496	497	499	503	496	497	499	503									
Lo-PR	132	133	136	142	139	141	144	150	146	148	151	156	152	153	157	162	157	159	162	168	165	166	169	175	165	166	169	175									

IDB: Entering Indoor Dry Bulb Temperature  
 High and low pressures are measured at the liquid and suction access fittings.  
 Design Subcooling 8 ±2 °F @ the liquid access fitting connection AHR1 95 test conditions. Design Superheat 15 ±2 °F @ the compressor suction access fitting connection.  
 Shaded area reflects ACCA (TVA) conditions.  
 kW = Total system power  
 Amps = outdoor unit amps (comp.+fan)





EXPANDED COOLING DATA — DP5HM6041\*\* (HIGH STAGE)

IDB	AIRFLOW	OUTDOOR AMBIENT TEMPERATURE																								
		65°F				75°F				85°F				95°F				105°F				115°F				
		59	63	67	71	59	63	67	71	59	63	67	71	59	63	67	71	59	63	67	71	59	63	67	71	
70	1750	MBh	57.99	58.81	60.54	-	57.47	58.29	60.02	-	55.96	56.78	58.51	-	53.35	54.17	55.90	-	50.17	50.99	52.72	-	47.26	48.08	49.81	-
		S/T	0.63	0.55	0.41	-	0.63	0.55	0.41	-	0.66	0.58	0.44	-	0.68	0.60	0.46	-	1.00	0.62	0.48	-	1.00	0.68	0.54	-
		ΔT	10.85	9.84	7.97	-	10.82	9.82	7.94	-	10.96	9.96	8.08	-	10.81	9.81	7.93	-	10.67	9.67	7.80	-	11.30	10.30	8.43	-
		kW	3.69	3.69	3.68	-	4.12	4.12	4.11	-	4.60	4.60	4.59	-	5.12	5.11	5.11	-	5.69	5.69	5.68	-	6.37	6.37	6.36	-
		Amps	13.02	13.00	12.97	-	14.88	14.86	14.83	-	16.95	16.94	16.91	-	19.20	19.18	19.15	-	21.71	21.70	21.66	-	24.65	24.64	24.61	-
		Hi PR	264.37	265.52	267.38	-	306.09	307.23	309.09	-	349.79	350.94	352.80	-	396.85	398.00	399.86	-	447.59	448.74	450.60	-	501.74	502.89	504.75	-
	Lo PR	121.67	123.17	126.27	-	129.07	130.58	133.68	-	135.56	137.06	140.16	-	141.04	142.54	145.64	-	146.42	147.92	151.02	-	153.16	154.66	157.76	-	
	MBh	58.75	59.57	61.30	-	58.23	59.05	60.79	-	56.72	57.54	59.27	-	54.11	54.93	56.67	-	50.93	51.75	53.48	-	48.02	48.84	50.57	-	
	S/T	0.69	0.61	0.47	-	0.69	0.62	0.48	-	0.72	0.64	0.50	-	0.74	0.66	0.52	-	1.00	0.69	0.54	-	1.00	0.74	0.60	-	
	ΔT	10.24	9.24	7.36	-	10.21	9.21	7.34	-	10.35	9.35	7.48	-	10.20	9.20	7.33	-	10.07	9.07	7.19	-	10.70	9.69	7.82	-	
	kW	3.72	3.71	3.71	-	4.14	4.14	4.13	-	4.62	4.62	4.61	-	5.14	5.14	5.13	-	5.72	5.71	5.71	-	6.39	6.39	6.38	-	
	Amps	13.11	13.10	13.07	-	14.97	14.96	14.93	-	17.05	17.03	17.00	-	19.30	19.28	19.25	-	21.81	21.79	21.76	-	24.75	24.74	24.70	-	
Hi PR	266.62	267.76	269.62	-	308.33	309.48	311.34	-	352.04	353.19	355.04	-	399.10	400.25	402.10	-	449.84	450.98	452.84	-	503.99	505.13	506.99	-		
Lo PR	123.46	124.96	128.06	-	130.86	132.37	135.47	-	137.35	138.85	141.95	-	142.83	144.33	147.43	-	148.21	149.71	152.81	-	154.95	156.45	159.55	-		
MBh	59.67	60.49	62.22	-	59.15	59.97	61.70	-	57.63	58.45	60.19	-	55.03	55.85	57.58	-	51.84	52.66	54.40	-	48.94	49.76	51.49	-		
S/T	0.72	0.64	0.50	-	0.73	0.65	0.51	-	0.76	0.68	0.54	-	1.00	0.70	0.56	-	1.00	0.72	0.58	-	1.00	0.77	0.63	-		
ΔT	9.73	8.73	6.85	-	9.70	8.70	6.83	-	9.84	8.84	6.97	-	9.69	8.69	6.82	-	9.56	8.56	6.68	-	10.19	9.18	7.31	-		
kW	3.74	3.73	3.73	-	4.16	4.16	4.15	-	4.64	4.64	4.63	-	5.16	5.15	5.15	-	5.74	5.73	5.72	-	6.41	6.41	6.40	-		
Amps	13.19	13.18	13.15	-	15.05	15.04	15.01	-	17.13	17.12	17.08	-	19.38	19.36	19.33	-	21.89	21.87	21.84	-	24.83	24.82	24.79	-		
Hi PR	268.80	269.94	271.80	-	310.51	311.66	313.52	-	354.22	355.36	357.22	-	401.28	402.43	404.28	-	452.02	453.16	455.02	-	506.16	507.31	509.17	-		
Lo PR	125.44	126.95	130.04	-	132.85	134.35	137.45	-	139.33	140.83	143.93	-	144.81	146.31	149.41	-	150.19	151.69	154.79	-	156.93	158.43	161.53	-		
75	1750	MBh	58.02	58.84	60.58	63.22	57.51	58.32	60.06	62.70	55.99	56.81	58.54	61.19	53.39	54.21	55.94	58.58	50.20	51.02	52.75	55.40	47.30	48.11	49.85	52.49
		S/T	0.76	0.68	0.54	0.39	0.77	0.69	0.55	0.40	1.00	0.71	0.57	0.43	1.00	0.73	0.59	0.45	1.00	0.76	0.62	0.47	1.00	1.00	0.67	0.52
		ΔT	13.05	12.05	10.18	8.24	13.02	12.02	10.15	8.21	13.17	12.16	10.29	8.35	13.01	12.01	10.14	8.20	12.88	11.88	10.00	8.06	13.51	12.50	10.63	8.69
		kW	3.69	3.69	3.68	3.71	4.12	4.12	4.11	4.14	4.60	4.59	4.59	4.62	5.11	5.11	5.10	5.14	5.69	5.69	5.68	5.71	6.37	6.37	6.36	6.39
		Amps	13.01	12.99	12.96	13.10	14.86	14.85	14.82	14.96	16.94	16.93	16.89	17.04	19.19	19.17	19.14	19.28	21.70	21.68	21.65	21.79	24.64	24.63	24.60	24.74
		Hi PR	264.60	265.75	267.61	272.22	306.32	307.47	309.33	313.94	350.03	351.17	353.03	357.64	397.09	398.23	400.09	404.70	447.83	448.97	450.83	455.44	501.97	503.12	504.98	509.59
	Lo PR	121.70	123.20	126.30	131.48	129.10	130.61	133.70	138.89	135.59	137.09	140.19	145.37	141.07	142.57	145.67	150.85	146.45	147.95	151.05	156.23	153.18	154.69	157.79	162.97	
	MBh	58.79	59.61	61.34	63.98	58.27	59.09	60.82	63.47	56.75	57.57	59.30	61.95	54.15	54.97	56.70	59.35	50.96	51.78	53.52	56.16	48.06	48.88	50.61	53.25	
	S/T	0.82	0.74	0.60	0.46	0.83	0.75	0.61	0.46	1.00	0.78	0.64	0.49	1.00	0.80	0.66	0.51	1.00	0.82	0.68	0.53	1.00	1.00	0.73	0.58	
	ΔT	12.45	11.44	9.57	7.63	12.42	11.42	9.54	7.60	12.56	11.56	9.68	7.74	12.41	11.40	9.53	7.59	12.27	11.27	9.40	7.46	12.90	11.90	10.03	8.09	
	kW	3.71	3.71	3.70	3.74	4.14	4.14	4.13	4.16	4.62	4.62	4.61	4.64	5.14	5.13	5.13	5.16	5.71	5.71	5.70	5.74	6.39	6.39	6.38	6.41	
	Amps	13.10	13.09	13.06	13.20	14.96	14.95	14.91	15.06	17.04	17.02	16.99	17.13	19.28	19.27	19.24	19.38	21.79	21.78	21.75	21.89	24.74	24.72	24.69	24.83	
Hi PR	266.85	268.00	269.86	274.46	308.57	309.71	311.57	316.18	352.27	353.42	355.28	359.89	399.33	400.48	402.34	406.95	450.07	451.22	453.08	457.69	504.22	505.37	507.23	511.83		
Lo PR	123.49	124.99	128.09	133.27	130.89	132.40	135.49	140.68	137.38	138.88	141.98	147.16	142.86	144.36	147.46	152.64	148.24	149.74	152.84	158.02	154.97	156.48	159.58	164.76		
MBh	59.70	60.52	62.25	64.90	59.18	60.00	61.73	64.38	57.67	58.49	60.22	62.87	55.06	55.88	57.61	60.26	51.88	52.70	54.43	57.08	48.97	49.79	51.52	54.17		
S/T	0.86	0.78	0.64	0.49	0.86	0.78	0.64	0.50	1.00	0.81	0.67	0.52	1.00	0.83	0.69	0.54	1.00	0.85	0.71	0.57	1.00	1.00	0.77	0.62		
ΔT	11.94	10.93	9.06	7.12	11.91	10.91	9.03	7.09	12.05	11.05	9.17	7.23	11.90	10.89	9.02	7.08	11.76	10.76	8.89	6.95	12.39	11.39	9.52	7.58		
kW	3.73	3.73	3.72	3.75	4.16	4.16	4.15	4.18	4.64	4.63	4.63	4.66	5.15	5.15	5.14	5.18	5.73	5.73	5.72	5.75	6.41	6.41	6.40	6.43		
Amps	13.18	13.17	13.14	13.28	15.04	15.03	15.00	15.14	17.12	17.10	17.07	17.21	19.36	19.35	19.32	19.46	21.87	21.86	21.83	21.97	24.82	24.81	24.77	24.92		
Hi PR	269.03	270.18	272.04	276.64	310.75	311.89	313.75	318.36	354.45	355.60	357.46	362.07	401.51	402.66	404.52	409.13	452.25	453.40	455.26	459.86	506.40	507.55	509.40	514.01		
Lo PR	125.47	126.98	130.07	135.25	132.87	134.38	137.48	142.66	139.36	140.86	143.96	149.14	144.84	146.34	149.44	154.62	150.22	151.72	154.82	160.00	156.96	158.46	161.56	166.74		

IDB: Entering Indoor Dry Bulb Temperature  
 High and low pressures are measured at the liquid and suction access fittings.  
 Design Subcooling 8 ±2 °F @ the liquid access fitting connection AHR1 95 test conditions. Design Superheat 15 ±2 °F @ the compressor suction access fitting connection.  
 Shaded area reflects ACCA (TVA) conditions.  
 kW = Total system power  
 Amps = outdoor unit amps (comp.+fan)

EXPANDED COOLING DATA — DP5HM6041\*\* (HIGH STAGE) (CONT.)

IDB	AIRFLOW	OUTDOOR AMBIENT TEMPERATURE												115°F											
		65°F				75°F				85°F				95°F				105°F				115°F			
		59	63	67	71	59	63	67	71	59	63	67	71	59	63	67	71	59	63	67	71	59	63	67	71
		ENTERING INDOOR WET BULB TEMPERATURE																							
		58.33	59.14	60.88	63.52	57.81	58.63	60.36	63.00	56.29	57.11	58.84	61.49	53.69	54.51	56.24	58.88	50.50	51.32	53.05	55.70	47.60	48.41	50.15	52.79
	S/T	0.89	0.81	0.67	0.52	1.00	0.82	0.68	0.53	1.00	0.84	0.70	0.56	1.00	0.86	0.72	0.58	1.00	1.00	0.75	0.60	1.00	1.00	0.80	0.65
	ΔT	15.27	14.27	12.40	10.46	15.24	14.24	12.37	10.43	15.39	14.38	12.51	10.57	15.23	14.23	12.36	10.42	15.10	14.10	12.22	10.28	15.73	14.73	12.85	10.91
	kW	3.69	3.69	3.68	3.72	4.12	4.12	4.11	4.14	4.60	4.60	4.59	4.62	5.12	5.11	5.11	5.14	5.69	5.69	5.68	5.72	6.37	6.37	6.36	6.39
	Amps	13.01	13.00	12.97	13.11	14.87	14.86	14.83	14.97	16.95	16.94	16.90	17.05	19.20	19.18	19.15	19.29	21.71	21.69	21.66	21.80	24.65	24.64	24.61	24.75
	Hi PR	265.09	266.24	268.10	272.70	306.81	307.96	309.81	314.42	350.51	351.66	353.52	358.13	397.57	398.72	400.58	405.19	448.31	449.46	451.32	455.93	502.46	503.61	505.47	510.07
	Lo PR	122.24	123.74	126.84	132.02	129.64	131.14	134.24	139.42	136.12	137.63	140.73	145.91	141.61	143.11	146.21	151.39	146.99	148.49	151.59	156.77	153.72	155.23	158.32	163.51
		59.09	59.91	61.64	64.28	58.57	59.39	61.12	63.77	57.05	57.87	59.60	62.25	54.45	55.27	57.00	59.65	51.26	52.08	53.82	56.46	48.36	49.18	50.91	53.56
	S/T	1.00	0.87	0.73	0.59	1.00	0.88	0.74	0.59	1.00	0.91	0.77	0.62	1.00	0.93	0.79	0.64	1.00	1.00	0.81	0.66	1.00	1.00	0.86	0.71
	ΔT	14.67	13.66	11.79	9.85	14.64	13.64	11.76	9.82	14.78	13.78	11.90	9.96	14.63	13.63	11.75	9.81	14.49	13.49	11.62	9.68	15.12	14.12	12.25	10.31
	kW	3.72	3.71	3.71	3.74	4.14	4.14	4.13	4.17	4.62	4.62	4.61	4.64	5.14	5.14	5.13	5.16	5.72	5.71	5.71	5.74	6.39	6.39	6.38	6.42
	Amps	13.11	13.10	13.06	13.21	14.97	14.96	14.92	15.07	17.05	17.03	17.00	17.14	19.29	19.28	19.25	19.39	21.80	21.79	21.76	21.90	24.75	24.73	24.70	24.84
	Hi PR	267.34	268.48	270.34	274.95	309.05	310.20	312.06	316.67	352.76	353.91	355.76	360.37	399.82	400.97	402.83	407.43	450.56	451.71	453.56	458.17	504.71	505.85	507.71	512.32
	Lo PR	124.03	125.53	128.63	133.81	131.43	132.93	136.03	141.21	137.91	139.42	142.52	147.70	143.40	144.90	148.00	153.18	148.78	150.28	153.38	158.56	155.51	157.02	160.11	165.30
		60.00	60.82	62.55	65.20	59.48	60.30	62.03	64.68	57.97	58.79	60.52	63.17	55.36	56.18	57.91	60.56	52.18	53.00	54.73	57.38	49.27	50.09	51.82	54.47
	S/T	1.00	0.91	0.77	0.62	1.00	0.91	0.77	0.63	1.00	0.94	0.80	0.65	1.00	1.00	0.82	0.67	1.00	1.00	0.84	0.70	1.00	1.00	0.90	0.75
	ΔT	14.16	13.15	11.28	9.34	14.13	13.13	11.25	9.31	14.27	13.27	11.39	9.45	14.12	13.12	11.24	9.30	13.98	12.98	11.11	9.17	14.61	13.61	11.74	9.80
	kW	3.74	3.73	3.72	3.76	4.16	4.16	4.15	4.18	4.64	4.64	4.63	4.66	5.16	5.15	5.15	5.18	5.73	5.73	5.72	5.76	6.41	6.41	6.40	6.43
	Amps	13.19	13.18	13.15	13.29	15.05	15.04	15.01	15.15	17.13	17.11	17.08	17.22	19.37	19.36	19.33	19.47	21.88	21.87	21.84	21.98	24.83	24.82	24.78	24.93
	Hi PR	269.52	270.66	272.52	277.13	311.23	312.38	314.24	318.85	354.94	356.08	357.94	362.55	402.00	403.15	405.00	409.61	452.74	453.88	455.74	460.35	506.89	508.03	509.89	514.50
	Lo PR	126.01	127.51	130.61	135.79	133.41	134.92	138.01	143.20	139.90	141.40	144.50	149.68	145.38	146.88	149.98	155.16	150.76	152.26	155.36	160.54	157.49	159.00	162.10	167.28
		59.30	60.12	61.85	64.50	58.78	59.60	61.33	63.98	57.27	58.09	59.82	62.47	54.66	55.48	57.22	59.86	51.48	52.30	54.03	56.68	48.57	49.39	51.12	53.77
	S/T	1.00	0.92	0.78	0.63	1.00	0.92	0.78	0.63	1.00	1.00	0.81	0.66	1.00	1.00	0.83	0.68	1.00	1.00	0.85	0.70	1.00	1.00	1.00	0.76
	ΔT	17.24	16.24	14.37	12.43	17.21	16.21	14.34	12.40	17.36	16.35	14.48	12.54	17.20	16.20	14.33	12.39	17.07	16.07	14.19	12.25	17.70	16.69	14.82	12.88
	kW	3.70	3.70	3.69	3.72	4.13	4.13	4.12	4.15	4.61	4.60	4.60	4.63	5.12	5.12	5.11	5.15	5.70	5.70	5.69	5.72	6.38	6.38	6.37	6.40
	Amps	13.05	13.04	13.00	13.15	14.91	14.90	14.86	15.01	16.99	16.97	16.94	17.08	19.23	19.22	19.19	19.33	21.74	21.73	21.70	21.84	24.69	24.67	24.64	24.78
	Hi PR	266.33	267.48	269.34	273.95	308.05	309.20	311.06	315.67	351.76	352.90	354.76	359.37	398.82	399.96	401.82	406.43	449.56	450.70	452.56	457.17	503.70	504.85	506.71	511.32
	Lo PR	124.06	125.57	128.66	133.85	131.47	132.97	136.07	141.25	137.95	139.45	142.55	147.73	143.43	144.93	148.03	153.21	148.81	150.31	153.41	158.59	155.55	157.05	160.15	165.33
		60.06	60.88	62.62	65.26	59.54	60.36	62.10	64.74	58.03	58.85	60.58	63.23	55.43	56.24	57.98	60.62	52.24	53.06	54.79	57.44	49.33	50.15	51.89	54.53
	S/T	1.00	0.98	0.84	0.69	1.00	0.98	0.84	0.70	1.00	1.00	0.87	0.72	1.00	1.00	0.89	0.74	1.00	1.00	0.91	0.77	1.00	1.00	1.00	0.82
	ΔT	16.64	15.63	13.76	11.82	16.61	15.61	13.73	11.79	16.75	15.75	13.87	11.93	16.60	15.59	13.72	11.78	16.46	15.46	13.59	11.65	17.09	16.09	14.22	12.28
	kW	3.72	3.72	3.71	3.75	4.15	4.15	4.14	4.17	4.63	4.63	4.62	4.65	5.15	5.14	5.14	5.17	5.72	5.72	5.71	5.75	6.40	6.40	6.39	6.42
	Amps	13.15	13.13	13.10	13.24	15.01	14.99	14.96	15.10	17.08	17.07	17.04	17.18	19.33	19.31	19.28	19.43	21.84	21.82	21.79	21.94	24.78	24.77	24.74	24.88
	Hi PR	268.58	269.73	271.59	276.19	310.30	311.44	313.30	317.91	354.00	355.15	357.01	361.62	401.06	402.21	404.07	408.68	451.80	452.95	454.81	459.42	505.95	507.10	508.96	513.56
	Lo PR	125.85	127.36	130.45	135.64	133.26	134.76	137.86	143.04	139.74	141.24	144.34	149.52	145.22	146.72	149.82	155.00	150.60	152.10	155.20	160.38	157.34	158.84	161.94	167.12
		60.98	61.80	63.53	66.18	60.46	61.28	63.01	65.66	58.95	59.76	61.50	64.14	56.34	57.16	58.89	61.54	53.16	53.98	55.71	58.35	50.25	51.07	52.80	55.45
	S/T	1.00	1.00	0.87	0.72	1.00	1.00	0.88	0.73	1.00	1.00	0.90	0.76	1.00	1.00	0.93	0.78	1.00	1.00	0.95	0.80	1.00	1.00	1.00	0.85
	ΔT	16.13	15.12	13.25	11.31	16.10	15.09	13.22	11.28	16.24	15.24	13.36	11.42	16.09	15.08	13.21	11.27	15.95	14.95	13.08	11.14	16.58	15.58	13.71	11.77
	kW	3.74	3.74	3.73	3.77	4.17	4.17	4.16	4.19	4.65	4.65	4.64	4.67	5.17	5.16	5.15	5.19	5.74	5.74	5.73	5.76	6.42	6.42	6.41	6.44
	Amps	13.23	13.21	13.18	13.32	15.09	15.07	15.04	15.18	17.16	17.15	17.12	17.26	19.41	19.40	19.36	19.51	21.92	21.91	21.87	22.02	24.87	24.85	24.82	24.96
	Hi PR	270.76	271.91	273.77	278.37	312.48	313.62	315.48	320.09	356.18	357.33	359.19	363.80	403.24	404.39	406.25	410.86	453.98	455.13	456.99	461.60	508.13	509.28	511.13	515.74
	Lo PR	127.83	129.34	132.43	137.62	135.24	136.74	139.84	145.02	141.72	143.22	146.32	151.50	147.20	148.70	151.80	156.98	152.58	154.08	157.18	162.36	159.32	160.82	163.92	169.10

IDB: Entering Indoor Dry Bulb Temperature  
 High and low pressures are measured at the liquid and suction access fittings.  
 Shaded area reflects AHRI conditions.  
 kW = Total system power  
 Amps = outdoor unit amps (comp.+fan)

EXPANDED COOLING DATA — DP5HM6041\*\* (LOW STAGE)

IDB	AIRFLOW	OUTDOOR AMBIENT TEMPERATURE																							
		65°F				75°F				85°F				95°F				105°F				115°F			
		59	63	67	71	59	63	67	71	59	63	67	71	59	63	67	71	59	63	67	71	59	63	67	71
<b>1181</b>	MBh	41.70	42.28	43.53	-	41.32	41.91	43.16	-	40.23	40.82	42.07	-	38.36	38.95	40.19	-	36.07	36.66	37.91	-	33.98	34.57	35.82	-
	S/T	0.64	0.56	0.42	-	0.65	0.57	0.43	-	0.68	0.60	0.45	-	1.00	0.62	0.47	-	1.00	0.64	0.50	-	1.00	0.69	0.55	-
	ΔT	10.47	9.50	7.69	-	10.44	9.47	7.66	-	10.58	9.61	7.80	-	10.43	9.46	7.65	-	10.30	9.33	7.53	-	10.91	9.94	8.13	-
	kW	2.32	2.32	2.32	-	2.59	2.59	2.59	-	2.89	2.89	2.89	-	3.22	3.22	3.21	-	3.58	3.58	3.57	-	4.01	4.01	4.00	-
	Amps	8.19	8.18	8.16	-	9.36	9.35	9.33	-	10.66	10.65	10.63	-	12.08	12.07	12.05	-	13.66	13.65	13.63	-	15.51	15.50	15.48	-
	Hi PR	252.74	253.83	255.61	-	292.62	293.72	295.49	-	334.40	335.50	337.27	-	379.39	380.49	382.26	-	427.90	428.99	430.77	-	479.66	480.76	482.54	-
	Lo PR	125.08	126.62	129.81	-	132.69	134.23	137.42	-	139.35	140.90	144.08	-	144.99	146.53	149.72	-	150.52	152.06	155.25	-	157.44	158.99	162.17	-
	MBh	42.24	42.83	44.08	-	41.87	42.46	43.70	-	40.78	41.37	42.62	-	38.91	39.50	40.74	-	36.62	37.21	38.45	-	34.53	35.12	36.36	-
	S/T	0.71	0.63	0.48	-	0.71	0.63	0.49	-	0.74	0.66	0.52	-	1.00	0.68	0.54	-	1.00	0.70	0.56	-	1.00	0.76	0.61	-
	ΔT	9.88	8.91	7.11	-	9.86	8.89	7.08	-	9.99	9.02	7.22	-	9.85	8.88	7.07	-	9.72	8.75	6.94	-	10.32	9.35	7.55	-
	kW	2.34	2.34	2.33	-	2.61	2.61	2.60	-	2.91	2.91	2.90	-	3.23	3.23	3.23	-	3.60	3.59	3.59	-	4.02	4.02	4.01	-
	Amps	8.25	8.24	8.22	-	9.42	9.41	9.39	-	10.72	10.71	10.69	-	12.14	12.13	12.11	-	13.72	13.71	13.69	-	15.57	15.56	15.54	-
Hi PR	254.89	255.98	257.76	-	294.77	295.86	297.64	-	336.55	337.64	339.42	-	381.54	382.63	384.41	-	430.04	431.14	432.92	-	481.81	482.91	484.68	-	
Lo PR	126.92	128.46	131.65	-	134.53	136.07	139.26	-	141.19	142.74	145.92	-	146.83	148.37	151.56	-	152.36	153.90	157.09	-	159.28	160.83	164.01	-	
MBh	42.90	43.49	44.74	-	42.53	43.12	44.36	-	41.44	42.03	43.27	-	39.57	40.15	41.40	-	37.28	37.87	39.11	-	35.19	35.78	37.02	-	
S/T	0.74	0.66	0.52	-	0.75	0.67	0.52	-	1.00	0.70	0.55	-	1.00	0.72	0.57	-	1.00	0.74	0.60	-	1.00	0.79	0.65	-	
ΔT	9.39	8.42	6.61	-	9.36	8.40	6.59	-	9.50	8.53	6.72	-	9.35	8.39	6.58	-	9.22	8.26	6.45	-	9.83	8.86	7.05	-	
kW	2.35	2.35	2.34	-	2.62	2.62	2.61	-	2.92	2.92	2.91	-	3.24	3.24	3.24	-	3.61	3.61	3.60	-	4.03	4.03	4.03	-	
Amps	8.30	8.29	8.27	-	9.47	9.46	9.44	-	10.77	10.77	10.75	-	12.19	12.18	12.16	-	13.77	13.76	13.74	-	15.62	15.61	15.59	-	
Hi PR	256.97	258.07	259.84	-	296.85	297.95	299.72	-	338.63	339.73	341.51	-	383.62	384.72	386.50	-	432.13	433.22	435.00	-	483.89	484.99	486.77	-	
Lo PR	128.96	130.50	133.69	-	136.57	138.11	141.30	-	143.23	144.78	147.96	-	148.87	150.41	153.60	-	154.40	155.94	159.13	-	161.32	162.87	166.05	-	
<b>1181</b>	MBh	41.72	42.31	43.55	45.46	41.35	41.94	43.18	45.08	40.26	40.85	42.09	43.99	38.38	38.97	40.22	42.12	36.10	36.68	37.93	39.83	34.01	34.59	35.84	37.74
	S/T	0.78	0.70	0.56	0.40	0.79	0.71	0.56	0.41	1.00	0.73	0.59	0.44	1.00	0.75	0.61	0.46	1.00	0.78	0.63	0.48	1.00	1.00	0.69	0.54
	ΔT	12.59	11.63	9.82	7.95	12.57	11.60	9.79	7.92	12.70	11.74	9.93	8.06	12.56	11.59	9.78	7.91	12.43	11.46	9.65	7.78	13.04	12.07	10.26	8.39
	kW	2.32	2.32	2.32	2.34	2.59	2.59	2.58	2.61	2.89	2.89	2.89	2.91	3.22	3.21	3.21	3.23	3.58	3.58	3.57	3.59	4.01	4.00	4.00	4.02
	Amps	8.18	8.17	8.15	8.24	9.35	9.34	9.32	9.41	10.66	10.65	10.63	10.72	12.07	12.06	12.04	12.13	13.65	13.64	13.62	13.71	15.50	15.49	15.47	15.56
	Hi PR	252.96	254.06	255.83	260.24	292.84	293.94	295.72	300.12	334.62	335.72	337.50	341.90	379.61	380.71	382.49	386.89	428.12	429.22	430.99	435.40	479.89	480.98	482.76	487.17
	Lo PR	125.11	126.65	129.84	135.17	132.72	134.26	137.45	142.78	139.38	140.93	144.11	149.44	145.02	146.56	149.75	155.08	150.55	152.09	155.28	160.61	157.47	159.02	162.20	167.53
	MBh	42.27	42.86	44.10	46.00	41.89	42.48	43.73	45.63	40.81	41.39	42.64	44.54	38.93	39.52	40.77	42.67	36.64	37.23	38.48	40.38	34.55	35.14	36.39	38.29
	S/T	0.84	0.76	0.62	0.47	1.00	0.77	0.63	0.47	1.00	0.80	0.65	0.50	1.00	0.82	0.67	0.52	1.00	0.84	0.70	0.54	1.00	1.00	0.75	0.60
	ΔT	12.01	11.04	9.23	7.36	11.98	11.02	9.21	7.34	12.12	11.15	9.34	7.47	11.97	11.01	9.20	7.33	11.84	10.88	9.07	7.20	12.45	11.48	9.68	7.80
	kW	2.34	2.33	2.33	2.35	2.61	2.60	2.60	2.62	2.91	2.90	2.90	2.92	3.23	3.22	3.22	3.24	3.59	3.59	3.59	3.61	4.02	4.02	4.01	4.03
	Amps	8.24	8.23	8.21	8.30	9.41	9.40	9.38	9.47	10.72	10.71	10.69	10.78	12.13	12.12	12.10	12.19	13.71	13.70	13.68	13.77	15.56	15.55	15.53	15.62
Hi PR	255.11	256.20	257.98	262.39	294.99	296.09	297.86	302.27	336.77	337.87	339.65	344.05	381.76	382.86	384.64	389.04	430.27	431.36	433.14	437.55	482.03	483.13	484.91	489.31	
Lo PR	126.95	128.49	131.68	137.00	134.56	136.10	139.29	144.62	141.22	142.77	145.95	151.28	146.86	148.40	151.59	156.92	152.39	153.93	157.12	162.45	159.31	160.86	164.04	169.37	
MBh	42.93	43.51	44.76	46.66	42.55	43.14	44.39	46.29	41.46	42.05	43.30	45.20	39.59	40.18	41.42	43.33	37.30	37.89	39.14	41.04	35.21	35.80	37.05	38.95	
S/T	0.88	0.80	0.66	0.50	1.00	0.81	0.66	0.51	1.00	0.83	0.69	0.54	1.00	0.85	0.71	0.56	1.00	1.00	0.73	0.58	1.00	1.00	0.79	0.64	
ΔT	11.52	10.55	8.74	6.87	11.49	10.52	8.72	6.84	11.63	10.66	8.85	6.98	11.48	10.51	8.71	6.83	11.35	10.38	8.58	6.70	11.96	10.99	9.18	7.31	
kW	2.35	2.35	2.34	2.36	2.62	2.61	2.61	2.63	2.92	2.92	2.91	2.93	3.24	3.24	3.24	3.26	3.61	3.60	3.60	3.62	4.03	4.03	4.02	4.05	
Amps	8.29	8.28	8.26	8.35	9.46	9.45	9.43	9.52	10.77	10.76	10.74	10.83	12.18	12.17	12.15	12.24	13.76	13.75	13.73	13.82	15.61	15.60	15.58	15.67	
Hi PR	257.19	258.29	260.07	264.47	297.07	298.17	299.95	304.35	338.86	339.95	341.73	346.13	383.85	384.94	386.72	391.12	432.35	433.45	435.23	439.63	484.12	485.21	486.99	491.40	
Lo PR	128.98	130.53	133.72	139.04	136.60	138.14	141.33	146.65	143.26	144.81	147.99	153.32	148.90	150.44	153.63	158.95	154.43	155.97	159.16	164.48	161.35	162.90	166.08	171.41	

IDB: Entering Indoor Dry Bulb Temperature  
 High and low pressures are measured at the liquid and suction access fittings.  
 Design Subcooling 8 ±2 °F @ the liquid access fitting connection AHR1 95 test conditions. Design Superheat 15 ±2 °F @ the compressor suction access fitting connection.  
 Shaded area reflects ACCA (TVA) conditions.  
 kW = Total system power  
 Amps = outdoor unit amps (comp.+fan)

EXPANDED COOLING DATA — DP5HM6041\*\* (LOW STAGE) (CONT.)

IDB	AIRFLOW	OUTDOOR AMBIENT TEMPERATURE												ENTERING INDOOR WET BULB TEMPERATURE											
		65°F				75°F				85°F				95°F				105°F				115°F			
		59	63	67	71	59	63	67	71	59	63	67	71	59	63	67	71	59	63	67	71	59	63	67	71
<b>80</b>	MbH	41.94	42.52	43.77	45.67	41.56	42.15	43.40	45.30	40.47	41.06	42.31	44.21	38.60	39.19	40.44	42.34	36.31	36.90	38.15	40.05	34.22	34.81	36.06	37.96
	S/T	1.00	0.83	0.69	0.54	1.00	0.84	0.70	0.54	1.00	0.87	0.72	0.57	1.00	1.00	0.74	0.59	1.00	1.00	0.77	0.61	1.00	1.00	0.82	0.67
	ΔT	14.74	13.77	11.96	10.09	14.71	13.74	11.94	10.06	14.85	13.88	12.07	10.20	14.70	13.73	11.93	10.05	14.57	13.60	11.80	9.92	15.18	14.21	12.40	10.53
	kW	2.32	2.32	2.32	2.34	2.59	2.59	2.59	2.61	2.89	2.89	2.89	2.91	3.22	3.22	3.21	3.23	3.58	3.58	3.57	3.60	4.01	4.01	4.00	4.02
	Amps	8.19	8.18	8.16	8.25	9.36	9.35	9.33	9.42	10.66	10.65	10.63	10.72	12.08	12.07	12.05	12.14	13.65	13.64	13.62	13.71	15.51	15.50	15.48	15.57
	Hi PR	253.43	254.52	256.30	260.71	293.31	294.41	296.18	300.59	335.09	336.19	337.96	342.37	380.08	381.18	382.95	387.36	428.59	429.68	431.46	435.87	480.35	481.45	483.23	487.63
	Lo PR	125.66	127.21	130.39	135.72	133.27	134.82	138.00	143.33	139.94	141.48	144.67	149.99	145.57	147.12	150.30	155.63	151.10	152.65	155.83	161.16	158.03	159.57	162.76	168.08
	MbH	42.48	43.07	44.32	46.22	42.11	42.70	43.94	45.85	41.02	41.61	42.86	44.76	39.15	39.74	40.98	42.89	36.86	37.45	38.69	40.60	34.77	35.36	36.60	38.51
	S/T	1.00	0.90	0.75	0.60	1.00	0.90	0.76	0.61	1.00	0.93	0.79	0.63	1.00	1.00	0.81	0.65	1.00	1.00	0.83	0.68	1.00	1.00	0.88	0.73
	ΔT	14.15	13.18	11.38	9.51	14.13	13.16	11.35	9.48	14.26	13.29	11.49	9.61	14.12	13.15	11.34	9.47	13.99	13.02	11.21	9.34	14.59	13.63	11.82	9.95
kW	2.34	2.34	2.33	2.35	2.61	2.60	2.60	2.62	2.91	2.91	2.90	2.92	3.23	3.23	3.23	3.25	3.60	3.59	3.59	3.61	4.02	4.02	4.01	4.04	
Amps	8.25	8.24	8.22	8.31	9.42	9.41	9.39	9.48	10.72	10.71	10.69	10.78	12.14	12.13	12.11	12.20	13.71	13.71	13.69	13.77	15.57	15.56	15.54	15.63	
Hi PR	255.57	256.67	258.45	262.85	295.46	296.56	298.33	302.73	337.24	338.33	340.11	344.52	382.23	383.32	385.10	389.51	430.73	431.83	433.61	438.01	482.50	483.60	485.37	489.78	
Lo PR	127.50	129.05	132.23	137.56	135.11	136.66	139.84	145.17	141.78	143.32	146.51	151.83	147.41	148.96	152.14	157.47	152.94	154.49	157.67	163.00	159.87	161.41	164.60	169.92	
MbH	43.14	43.73	44.98	46.88	42.77	43.36	44.60	46.51	41.68	42.27	43.51	45.42	39.81	40.40	41.64	43.54	37.52	38.11	39.35	41.25	35.43	36.02	37.26	39.16	
S/T	1.00	0.93	0.79	0.64	1.00	0.94	0.80	0.64	1.00	1.00	0.82	0.67	1.00	1.00	0.84	0.69	1.00	1.00	0.87	0.71	1.00	1.00	0.92	0.77	
ΔT	13.66	12.69	10.89	9.01	13.63	12.67	10.86	8.99	13.77	12.80	10.99	9.12	13.62	12.66	10.85	8.98	13.49	12.53	10.72	8.85	14.10	13.13	11.33	9.45	
kW	2.35	2.35	2.34	2.36	2.62	2.62	2.61	2.63	2.92	2.92	2.91	2.93	3.24	3.24	3.24	3.26	3.61	3.60	3.60	3.62	4.03	4.03	4.03	4.05	
Amps	8.30	8.29	8.27	8.36	9.47	9.46	9.44	9.53	10.77	10.76	10.74	10.83	12.19	12.18	12.16	12.25	13.77	13.76	13.74	13.83	15.62	15.61	15.59	15.68	
Hi PR	257.66	258.75	260.53	264.94	297.54	298.64	300.41	304.82	339.32	340.42	342.19	346.60	384.31	385.41	387.18	391.59	432.82	433.91	435.69	440.10	484.58	485.68	487.46	491.86	
Lo PR	129.54	131.08	134.27	139.59	137.15	138.69	141.88	147.20	143.81	145.36	148.54	153.87	149.45	150.99	154.18	159.50	154.98	156.52	159.71	165.04	161.90	163.45	166.63	171.96	
<b>1181</b>	MbH	42.64	43.23	44.47	46.38	42.27	42.85	44.10	46.00	41.18	41.77	43.01	44.91	39.30	39.89	41.14	43.04	37.01	37.60	38.85	40.75	34.92	35.51	36.76	38.66
	S/T	1.00	0.94	0.80	0.64	1.00	1.00	0.80	0.65	1.00	1.00	0.83	0.68	1.00	1.00	0.85	0.70	1.00	1.00	0.87	0.72	1.00	1.00	1.00	0.78
	ΔT	16.64	15.67	13.86	11.99	16.61	15.64	13.84	11.96	16.75	15.78	13.97	12.10	16.60	15.63	13.83	11.95	16.47	15.50	13.70	11.82	17.08	16.11	14.30	12.43
	kW	2.33	2.33	2.32	2.34	2.60	2.60	2.59	2.61	2.90	2.90	2.89	2.91	3.22	3.22	3.22	3.24	3.59	3.58	3.58	3.60	4.01	4.01	4.01	4.03
	Amps	8.21	8.20	8.18	8.27	9.38	9.37	9.35	9.44	10.68	10.68	10.66	10.74	12.10	12.09	12.07	12.16	13.68	13.67	13.65	13.74	15.53	15.52	15.50	15.59
	Hi PR	254.62	255.71	257.49	261.89	294.50	295.59	297.37	301.78	336.28	337.38	339.15	343.56	381.27	382.37	384.14	388.55	429.78	430.87	432.65	437.05	481.54	482.64	484.41	488.82
	Lo PR	127.54	129.08	132.27	137.59	135.15	136.69	139.88	145.20	141.81	143.36	146.54	151.87	147.45	148.99	152.18	157.50	152.98	154.52	157.71	163.03	159.90	161.45	164.63	169.96
	MbH	43.19	43.77	45.02	46.92	42.81	43.40	44.65	46.55	41.72	42.31	43.56	45.46	39.85	40.44	41.69	43.59	37.56	38.15	39.40	41.30	35.47	36.06	37.31	39.21
	S/T	1.00	1.00	0.86	0.71	1.00	1.00	0.87	0.71	1.00	1.00	0.89	0.74	1.00	1.00	0.91	0.76	1.00	1.00	1.00	0.79	1.00	1.00	1.00	0.84
	ΔT	16.05	15.09	13.28	11.41	16.03	15.06	13.25	11.38	16.16	15.19	13.39	11.52	16.02	15.05	13.24	11.37	15.89	14.92	13.11	11.24	16.49	15.53	13.72	11.85
kW	2.34	2.34	2.34	2.36	2.61	2.61	2.61	2.63	2.91	2.91	2.91	2.93	3.24	3.24	3.24	3.25	3.60	3.60	3.59	3.61	4.03	4.02	4.02	4.04	
Amps	8.27	8.26	8.24	8.33	9.44	9.43	9.41	9.50	10.75	10.74	10.72	10.81	12.16	12.15	12.13	12.22	13.74	13.73	13.71	13.80	15.59	15.58	15.56	15.65	
Hi PR	256.76	257.86	259.64	264.04	296.64	297.74	299.52	303.92	338.43	339.52	341.30	345.71	383.42	384.51	386.29	390.69	431.92	433.02	434.80	439.20	483.69	484.78	486.56	490.97	
Lo PR	129.38	130.92	134.11	139.43	136.99	138.53	141.72	147.04	143.65	145.20	148.38	153.71	149.29	150.83	154.02	159.34	151.92	153.46	156.65	162.00	161.74	163.29	166.47	171.80	
<b>1519</b>	MbH	43.84	44.43	45.68	47.58	43.47	44.06	45.31	47.21	42.38	42.97	44.22	46.12	40.51	41.10	42.34	44.25	38.22	38.81	40.05	41.96	36.13	36.72	37.96	39.87
	S/T	1.00	1.00	0.90	0.74	1.00	1.00	0.90	0.75	1.00	1.00	0.93	0.78	1.00	1.00	0.95	0.80	1.00	1.00	1.00	0.82	1.00	1.00	1.00	0.88
	ΔT	15.56	14.59	12.79	10.91	15.53	14.57	12.76	10.89	15.67	14.70	12.90	11.02	15.52	14.56	12.75	10.88	15.40	14.43	12.62	10.75	16.00	15.03	13.23	11.35
	kW	2.35	2.35	2.35	2.37	2.62	2.62	2.62	2.64	2.92	2.92	2.92	2.94	3.25	3.25	3.24	3.26	3.61	3.61	3.61	3.63	4.04	4.04	4.03	4.05
	Amps	8.32	8.31	8.29	8.38	9.49	9.48	9.46	9.55	10.80	10.79	10.77	10.86	12.21	12.20	12.18	12.27	13.79	13.78	13.76	13.85	15.64	15.63	15.61	15.70
	Hi PR	258.85	259.94	261.72	266.13	298.73	299.82	301.60	306.01	340.51	341.61	343.38	347.79	385.50	386.60	388.37	392.78	434.01	435.10	436.88	441.28	485.77	486.87	488.64	493.05
	Lo PR	131.41	132.96	136.14	141.47	139.02	140.57	143.75	149.08	145.69	147.23	150.42	155.75	151.32	152.87	156.05	161.38	156.85	158.40	161.58	166.91	163.78	165.32	168.51	173.84

IDB: Entering Indoor Dry Bulb Temperature  
 High and low pressures are measured at the liquid and suction access fittings.  
 Shaded area reflects AHRI conditions.  
 kW = Total system power  
 Amps = outdoor unit amps (comp.+fan)

EXPANDED HEATING DATA

DP5HM2441

HIGH STAGE

	OUTDOOR AMBIENT TEMPERATURE																
	65	60	55	50	47	45	40	35	30	25	20	17	15	10	5	0	-5
MBh	30.28	28.21	26.35	24.20	22.80	21.68	18.93	16.48	14.49	12.98	11.82	11.20	10.43	8.49	6.56	4.63	2.69
T/R	32.54	30.42	28.31	26.19	24.93	23.70	20.70	18.02	15.84	14.19	12.92	12.24	11.40	9.28	7.17	5.06	2.94
KW	1.88	1.86	1.84	1.82	1.81	1.80	1.78	1.76	1.74	1.72	1.70	1.68	1.68	1.65	1.63	1.61	1.59
AMPS	6.8	6.7	6.7	6.6	6.5	6.5	6.4	6.3	6.2	6.1	6.0	6.0	5.9	5.9	5.8	5.7	5.6
COP	4.72	4.45	4.20	3.90	3.70	3.53	3.12	2.75	2.45	2.22	2.04	1.95	1.82	1.50	1.18	0.84	0.50
Hi PR	390	377	364	352	344	339	326	314	301	288	276	268	263	250	238	225	212
LO PR	141	132	123	115	109	106	97	88	80	71	62	57	53	44	36	27	18

DP5HM2441

LOW STAGE

	OUTDOOR AMBIENT TEMPERATURE																
	65	60	55	50	47	45	40	35	30	25	20	17	15	10	5	0	-5
MBh	21.85	20.35	19.01	17.47	16.45	15.53	13.32	11.38	9.80	8.60	7.66	7.15	6.53	4.98	3.43	1.88	0.33
T/R	35.24	32.83	30.53	28.03	26.53	25.05	21.49	18.35	15.81	13.87	12.35	11.53	10.53	8.03	5.53	3.03	0.54
KW	1.15	1.12	1.09	1.06	1.04	1.03	1.00	0.97	0.94	0.91	0.88	0.86	0.85	0.82	0.79	0.76	0.73
AMPS	4.1	4.0	3.8	3.7	3.6	3.6	3.4	3.3	3.2	3.0	2.9	2.8	2.8	2.6	2.5	2.4	2.2
COP	5.55	5.31	5.10	4.82	4.62	4.41	3.90	3.44	3.06	2.77	2.55	2.44	2.26	1.79	1.28	0.73	0.13
Hi PR	378	365	353	341	333	328	316	304	292	279	267	260	255	242	230	218	206
LO PR	138	130	121	113	107	104	95	87	78	70	61	56	52	44	35	26	18

DP5HM3041

HIGH STAGE

	OUTDOOR AMBIENT TEMPERATURE																
	65	60	55	50	47	45	40	35	30	25	20	17	15	10	5	0	-5
MBh	37.42	34.95	32.52	30.13	28.60	27.46	24.57	21.91	19.75	18.14	16.94	16.30	15.48	13.43	11.38	9.33	7.28
T/R	32.13	30.30	28.47	26.64	25.54	24.51	21.93	19.57	17.64	16.20	15.13	14.55	13.82	11.99	10.16	8.33	6.50
KW	2.58	2.54	2.50	2.46	2.43	2.41	2.37	2.33	2.28	2.24	2.20	2.17	2.15	2.11	2.07	2.03	1.98
AMPS	9.6	9.4	9.2	9.0	8.9	8.8	8.7	8.5	8.3	8.1	7.9	7.8	7.7	7.5	7.3	7.2	7.0
COP	4.24	4.03	3.81	3.60	3.45	3.34	3.04	2.76	2.54	2.37	2.26	2.20	2.11	1.86	1.61	1.35	1.08
Hi PR	412	398	385	372	364	358	345	331	318	305	291	283	278	264	251	238	224
LO PR	133	124	116	108	103	100	91	83	75	67	58	53	50	42	34	25	17

DP5HM3041

LOW STAGE

	OUTDOOR AMBIENT TEMPERATURE																
	65	60	55	50	47	45	40	35	30	25	20	17	15	10	5	0	-5
MBh	27.40	25.53	23.83	21.87	20.63	19.65	17.23	15.06	13.30	11.97	10.95	10.41	9.72	8.02	6.32	4.61	2.91
T/R	34.91	32.69	30.46	28.24	26.91	25.62	22.47	19.64	17.35	15.61	14.28	13.57	12.68	10.46	8.24	6.01	3.79
KW	1.58	1.53	1.48	1.43	1.40	1.38	1.33	1.29	1.24	1.19	1.14	1.11	1.09	1.04	0.99	0.94	0.89
AMPS	5.7	5.5	5.3	5.1	5.0	4.9	4.7	4.5	4.3	4.0	3.8	3.7	3.6	3.4	3.2	3.0	2.8
COP	5.08	4.89	4.71	4.47	4.31	4.16	3.78	3.43	3.15	2.95	2.82	2.75	2.62	2.26	1.87	1.43	0.95
Hi PR	399	386	373	360	352	347	334	321	308	295	282	274	269	256	243	230	217
LO PR	130	122	114	106	101	98	90	82	74	65	57	53	49	41	33	25	17

DP5HM3641

HIGH STAGE

	OUTDOOR AMBIENT TEMPERATURE																
	65	60	55	50	47	45	40	35	30	25	20	17	15	10	5	0	-5
MBh	43.95	41.11	38.31	35.56	33.80	32.50	29.19	26.14	23.65	21.80	20.43	19.70	18.76	16.41	14.06	11.71	9.36
T/R	32.29	30.49	28.70	26.90	25.82	24.83	22.30	19.97	18.07	16.66	15.61	15.05	14.33	12.54	10.74	8.95	7.15
KW	2.78	2.75	2.72	2.69	2.68	2.67	2.64	2.61	2.58	2.55	2.53	2.51	2.50	2.47	2.44	2.42	2.39
AMPS	10.2	10.0	9.9	9.8	9.7	9.7	9.5	9.4	9.3	9.2	9.1	9.0	8.9	8.8	8.7	8.6	8.5
COP	4.64	4.38	4.13	3.87	3.70	3.57	3.24	2.93	2.68	2.50	2.37	2.30	2.20	1.95	1.69	1.42	1.15
Hi PR	373	360	348	336	329	324	312	300	288	276	263	256	251	239	227	215	203
LO PR	136	127	119	111	106	102	94	85	77	68	60	55	51	43	34	26	18

DP5HM3641

LOW STAGE

	OUTDOOR AMBIENT TEMPERATURE																
	65	60	55	50	47	45	40	35	30	25	20	17	15	10	5	0	-5
MBh	32.39	30.17	28.08	25.82	24.38	23.25	20.46	17.96	15.92	14.38	13.21	12.58	11.79	9.82	7.85	5.89	3.92
T/R	36.06	33.81	31.55	29.30	27.94	26.65	23.45	20.58	18.24	16.48	15.13	14.41	13.51	11.26	9.00	6.75	4.49
KW	1.71	1.66	1.62	1.57	1.55	1.53	1.49	1.44	1.40	1.35	1.31	1.28	1.26	1.22	1.18	1.13	1.09
AMPS	6.1	5.9	5.7	5.6	5.4	5.4	5.2	5.0	4.8	4.6	4.4	4.3	4.2	4.0	3.8	3.6	3.4
COP	5.57	5.32	5.09	4.81	4.62	4.46	4.04	3.65	3.34	3.12	2.96	2.88	2.73	2.36	1.96	1.52	1.06
Hi PR	361	349	338	326	319	314	302	291	279	267	255	248	244	232	220	208	197
LO PR	134	125	117	109	104	100	92	84	75	67	59	54	50	42	34	26	17

Calculations are based on nominal CFM and 70 °F indoor dry bulb.

Amps = Outdoor unit amps (comp.+fan)

Note: Shaded area is AHRI Rating Conditions at 47°F outdoor ambient temperature

KW = Total system power



**DP5HM4241**

**HIGH STAGE**

	OUTDOOR AMBIENT TEMPERATURE																
	65	60	55	50	47	45	40	35	30	25	20	17	15	10	5	0	-5
MBh	50.21	46.93	43.70	40.53	38.50	36.99	33.16	29.64	26.77	24.64	23.05	22.20	21.11	18.40	15.68	12.96	10.25
T/R	34.08	32.16	30.24	28.32	27.17	26.10	23.40	20.92	18.89	17.39	16.27	15.67	14.90	12.98	11.07	9.15	7.23
KW	3.20	3.18	3.16	3.15	3.13	3.13	3.11	3.09	3.07	3.06	3.04	3.03	3.02	3.00	2.98	2.96	2.95
AMPS	11.8	11.7	11.7	11.6	11.5	11.5	11.4	11.4	11.3	11.2	11.1	11.1	11.0	11.0	10.9	10.8	10.7
COP	4.60	4.32	4.05	3.78	3.60	3.47	3.13	2.81	2.55	2.36	2.22	2.15	2.05	1.80	1.54	1.28	1.02
Hi PR	389	376	364	351	344	338	326	313	300	288	275	268	263	250	237	225	212
LO PR	131	123	115	106	102	98	90	82	74	66	58	53	49	41	33	25	17

**DP5HM4241**

**LOW STAGE**

	OUTDOOR AMBIENT TEMPERATURE																
	65	60	55	50	47	45	40	35	30	25	20	17	15	10	5	0	-5
MBh	36.89	34.37	32.03	29.43	27.77	26.47	23.25	20.37	18.02	16.25	14.90	14.17	13.27	11.00	8.73	6.47	4.20
T/R	31.84	29.83	27.82	25.82	24.61	23.45	20.60	18.05	15.97	14.40	13.20	12.56	11.75	9.75	7.74	5.73	3.72
KW	1.97	1.93	1.88	1.84	1.81	1.79	1.75	1.70	1.66	1.62	1.57	1.55	1.53	1.48	1.44	1.40	1.35
AMPS	6.9	6.7	6.5	6.3	6.2	6.1	5.9	5.8	5.6	5.4	5.2	5.1	5.0	4.8	4.6	4.4	4.2
COP	5.49	5.23	4.99	4.69	4.50	4.33	3.90	3.50	3.18	2.95	2.78	2.69	2.54	2.17	1.78	1.36	0.91
Hi PR	377	365	353	340	333	328	316	303	291	279	267	259	254	242	230	218	205
LO PR	129	121	113	105	100	97	89	81	73	65	57	52	49	41	33	25	17

**DP5HM4841**

**HIGH STAGE**

	OUTDOOR AMBIENT TEMPERATURE																
	65	60	55	50	47	45	40	35	30	25	20	17	15	10	5	0	-5
MBh	57.95	54.18	50.48	46.83	44.50	42.77	38.38	34.34	31.04	28.59	26.78	25.80	24.55	21.44	18.32	15.20	12.09
T/R	31.73	29.96	28.18	26.41	25.34	24.36	21.86	19.56	17.68	16.28	15.25	14.69	13.98	12.21	10.43	8.66	6.88
KW	3.82	3.78	3.74	3.70	3.67	3.66	3.62	3.58	3.54	3.50	3.46	3.44	3.42	3.38	3.34	3.30	3.26
AMPS	14.0	13.8	13.7	13.5	13.4	13.3	13.2	13.0	12.8	12.6	12.5	12.4	12.3	12.1	12.0	11.8	11.6
COP	4.45	4.20	3.96	3.71	3.55	3.43	3.11	2.81	2.57	2.39	2.27	2.20	2.10	1.86	1.61	1.35	1.09
Hi PR	386	373	361	348	341	335	323	310	298	285	273	265	260	248	235	223	210
LO PR	126	118	110	103	98	95	87	79	71	63	56	51	48	40	32	24	16

**DP5HM4841**

**LOW STAGE**

	OUTDOOR AMBIENT TEMPERATURE																
	65	60	55	50	47	45	40	35	30	25	20	17	15	10	5	0	-5
MBh	42.64	39.72	37.00	34.00	32.10	30.60	26.91	23.59	20.90	18.86	17.30	16.47	15.43	12.82	10.22	7.61	5.01
T/R	32.66	30.61	28.56	26.51	25.28	24.10	21.19	18.57	16.45	14.85	13.62	12.97	12.15	10.10	8.05	5.99	3.94
KW	2.34	2.28	2.22	2.16	2.12	2.10	2.04	1.98	1.91	1.85	1.79	1.76	1.73	1.67	1.61	1.55	1.49
AMPS	8.3	8.1	7.8	7.5	7.4	7.3	7.0	6.7	6.5	6.2	5.9	5.8	5.7	5.4	5.1	4.9	4.6
COP	5.33	5.10	4.88	4.62	4.43	4.28	3.87	3.50	3.20	2.98	2.83	2.75	2.61	2.25	1.86	1.44	0.99
Hi PR	374	362	349	337	330	325	313	301	289	277	264	257	252	240	228	216	204
LO PR	124	116	109	101	96	93	85	78	70	62	55	50	47	39	31	24	16

**DP5HM6041**

**HIGH STAGE**

	OUTDOOR AMBIENT TEMPERATURE																
	65	60	55	50	47	45	40	35	30	25	20	17	15	10	5	0	-5
MBh	77.38	72.08	66.88	61.76	58.50	56.00	49.76	44.09	39.47	36.00	33.40	32.00	30.23	25.82	21.40	16.98	12.57
T/R	35.11	33.03	30.94	28.86	27.61	26.43	23.48	20.81	18.62	16.99	15.76	15.10	14.27	12.18	10.10	8.01	5.93
KW	5.12	4.98	4.85	4.71	4.63	4.58	4.45	4.31	4.18	4.04	3.91	3.83	3.77	3.64	3.51	3.37	3.24
AMPS	19.1	18.6	18.0	17.4	17.0	16.8	16.2	15.6	15.0	14.5	13.9	13.5	13.3	12.7	12.1	11.5	11.0
COP	4.43	4.24	4.04	3.84	3.70	3.58	3.28	3.00	2.77	2.61	2.50	2.45	2.35	2.08	1.79	1.48	1.14
Hi PR	402	389	376	363	355	350	337	324	311	297	284	277	271	258	245	232	219
LO PR	130	122	114	106	101	98	90	82	73	65	57	52	49	41	33	25	17

**DP5HM6041**

**LOW STAGE**

	OUTDOOR AMBIENT TEMPERATURE																
	65	60	55	50	47	45	40	35	30	25	20	17	15	10	5	0	-5
MBh	56.05	52.22	48.77	44.82	42.20	40.09	34.93	30.34	26.61	23.78	21.60	20.43	18.98	15.35	11.72	8.09	4.46
T/R	26.07	24.36	22.65	20.93	19.91	18.91	16.48	14.31	12.55	11.22	10.19	9.64	8.95	7.24	5.53	3.82	2.10
KW	3.11	2.99	2.87	2.75	2.68	2.63	2.51	2.39	2.27	2.15	2.03	1.96	1.91	1.79	1.67	1.55	1.43
AMPS	10.4	9.9	9.4	8.8	8.5	8.3	7.8	7.3	6.7	6.2	5.7	5.4	5.2	4.7	4.1	3.6	3.1
COP	5.28	5.12	4.98	4.78	4.62	4.47	4.08	3.72	3.44	3.25	3.12	3.06	2.92	2.52	2.06	1.53	0.92
Hi PR	390	377	364	352	344	339	326	314	301	288	276	268	263	250	238	225	212
LO PR	128	120	112	104	99	96	88	80	72	64	56	51	48	40	32	24	16

Calculations are based on nominal CFM and 70 °F indoor dry bulb.

Amps = Outdoor unit amps (comp.+fan)

Note: Shaded area is AHRI Rating Conditions at 47°F outdoor ambient temperature

kW = Total system power



**HEAT KIT ELECTRICAL DATA (BLOWER ONLY, HEAT MODE)**

MODEL	HEATER KIT	CIRCUIT #1		CIRCUIT #2		PROTECTION		ACTUAL @ 240V	
		MCA*	MOP**	MCA*	MOP**	MCA*	MOP**	kW	BTU/HR
DP5HM2441AA	HKP-05C	24.7	25	---	---	46	50	4.75	16,200
	HKR-08C	36.5	40	---	---	57.8	60	7	23,900
	HKP-10C	49.5	50	---	---	70.8	70	9.5	32,400
DP5HM3041AA	HKP-05C	24.7	25	---	---	47.6	50	4.75	16,200
	HKR-08C	36.5	40	---	---	59.4	60	7	23,900
	HKP-10C	49.5	50	---	---	72.4	80	9.5	32,400
	HKP-15C	49.5	50	24.7	25	103.3	110	14.25	48,600
DP5HM3641AA	HKP-05C	24.7	25	---	---	47.9	50	4.75	16,200
	HKR-08C	36.5	40	---	---	59.7	60	7	23,900
	HKP-10C	49.5	50	---	---	72.7	80	9.5	32,400
	HKP-15C	49.5	50	24.7	25	103.6	110	14.25	48,600
DP5HM4241AA	HKP-05C	24.7	25	---	---	55.2	60	4.75	16,200
	HKR-08C	36.5	40	---	---	67	70	7	23,900
	HKP-10C	49.5	50	---	---	80	80	9.5	32,400
	HKP-15C	49.5	50	24.7	25	110.9	110	14.25	48,600
	HKP-20C	49.5	50	49.5	50	141.9	150	19	64,800
DP5HM4841AA	HKP-05C	24.7	25	---	---	59.3	60	4.75	16,200
	HKR-08C	36.5	40	---	---	71.1	80	7	23,900
	HKP-10C	49.5	50	---	---	84.1	90	9.5	32,400
	HKP-15C	49.5	50	24.7	25	115	125	14.25	48,600
	HKP-20C	49.5	50	49.5	50	146	150	19	64,800

\* - Minimum Circuit Ampacity  
 \*\* - Maximum Overload Protection  
 C Circuit breaker option

MODEL	HEATER KIT	CIRCUIT #1		ACTUAL @ 240V	
		MCA*	MOP**	kW	BTU/HR
DP5HM6041AA	EHXD-1S05	65.1	80	5	17,000
	EHXD-1S10	91.1	100	10	34,000
	EHXD-1S15	117.2	125	15	51,000
	EHXD-1S22	143.2	150	20	68,200

\*-Minimum Circuit Ampacity @ 208 / 240 V  
 \*\*-Maximum Overcurrent Protection Device @ 208 / 240 V

**HEAT KIT ELECTRICAL DATA (BLOWER ONLY, HEAT MODE) (CONT.)**

MODEL	HEATER KIT	CIRCUIT #1		CIRCUIT #2		PROTECTION		ACTUAL @ 240V	
		MCA*	MOP**	MCA*	MOP**	MCA*	MOP**	kW	BTU/HR
<b>DP5HM2441AB</b>	HKTPD051	24.7	25	---	---	46	50	4.75	16,200
	HKTPD081	36.5	40	---	---	57.8	60	7	23,900
	HKTPD101	49.5	50	---	---	70.8	70	9.5	32,400
<b>DP5HM3041AB</b>	HKTPD051	24.7	25	---	---	47.6	50	4.75	16,200
	HKTPD081	36.5	40	---	---	59.4	60	7	23,900
	HKTPD101	49.5	50	---	---	72.4	80	9.5	32,400
	HKTPD151	49.5	50	24.7	25	103.3	110	14.25	48,600
<b>DP5HM3641AB</b>	HKTPD051	24.7	25	---	---	47.9	50	4.75	16,200
	HKTPD081	36.5	40	---	---	59.7	60	7	23,900
	HKTPD101	49.5	50	---	---	72.7	80	9.5	32,400
	HKTPD151	49.5	50	24.7	25	103.6	110	14.25	48,600
<b>DP5HM4241AB</b>	HKTPD051	24.7	25	---	---	55.2	60	4.75	16,200
	HKTPD081	36.5	40	---	---	67	70	7	23,900
	HKTPD101	49.5	50	---	---	80	80	9.5	32,400
	HKTPD151	49.5	50	24.7	25	110.9	110	14.25	48,600
	HKTPD201	49.5	50	49.5	50	141.9	150	19	64,800
<b>DP5HM4841AB</b>	HKTPD051	24.7	25	---	---	59.3	60	4.75	16,200
	HKTPD081	36.5	40	---	---	71.1	80	7	23,900
	HKTPD101	49.5	50	---	---	84.1	90	9.5	32,400
	HKTPD151	49.5	50	24.7	25	115	125	14.25	48,600
	HKTPD201	49.5	50	49.5	50	146	150	19	64,800

\* - Minimum Circuit Ampacity  
 \*\* - Maximum Overload Protection

MODEL	HEATER KIT	CIRCUIT #1		ACTUAL @ 240V	
		MCA*	MOP**	kW	BTU/HR
<b>DP5HM6041AB</b>	EHXD-1S05A	65.1	80	5	17,000
	EHXD-1S10A	91.1	100	10	34,000
	EHXD-1S15A	117.2	125	15	51,000
	EHXD-1S22A	143.2	150	20	68,200

\*-Minimum Circuit Ampacity @ 208 / 240 V  
 \*\*-Maximum Overcurrent Protection Device @ 208 / 240 V

DP5HM2441**					
COOLING SPEED	ADJUST TAP	CFM*	HEATING SPEED	ADJUST TAP	CFM*
D	Minus	630	D	Minus	630
	Normal	700		Normal	700
	Plus	770		Plus	770
C	Minus	743	C	Minus	743
	Normal	825		Normal	825
	Plus	908		Plus	908
B	Minus**	855	B	Minus**	855
	Normal	950		Normal	950
	Plus	1,045		Plus	1,045
A	Minus	945	A	Minus	945
	Normal	1,050		Normal	1,050
	Plus	1,155		Plus	1,155

\* - @ 0.1 - 0.8 ESP  
 \*\* - Factory Default

DP5HM3041**					
COOLING SPEED	ADJUST TAP	CFM*	HEATING SPEED	ADJUST TAP	CFM*
D	Minus	720	D	Minus	720
	Normal	800		Normal	800
	Plus	880		Plus	880
C	Minus	900	C	Minus	900
	Normal	1,000		Normal	1,000
	Plus	1,100		Plus	1,100
B	Minus	990	B	Minus	990
	Normal**	1,100		Normal**	1,100
	Plus	1,210		Plus	1,210
A	Minus	1,125	A	Minus	1,125
	Normal	1,250		Normal	1,250
	Plus	1,375		Plus	1,375

\* - @ 0.1 - 0.8 ESP  
 \*\* - Factory Default

DP5HM3641**					
COOLING SPEED	ADJUST TAP	CFM*	HEATING SPEED	ADJUST TAP	CFM*
D	Minus	720	D	Minus	720
	Normal	800		Normal	800
	Plus	880		Plus	880
C	Minus	900	C	Minus	900
	Normal	1,000		Normal	1,000
	Plus	1,100		Plus	1,100
B	Minus	990	B	Minus	990
	Normal	1,100		Normal	1,100
	Plus**	1,210		Plus**	1,210
A	Minus	1,125	A	Minus	1,125
	Normal	1,250		Normal	1,250
	Plus	1,375		Plus	1,375

\* - @ 0.1 - 0.8 ESP  
 \*\* - Factory Default

DP5HM4241**					
COOLING / HP SPEED	ADJUST TAP	CFM*	ELECTRIC HEAT	ADJUST TAP	CFM*
D	Minus	1,103	D	Minus	1,103
	Normal	1,225		Normal	1,225
	Plus**	1,348		Plus**	1,348
C	Minus	1,260	C	Minus	1,260
	Normal	1,400		Normal	1,400
	Plus	1,540		Plus	1,540
B	Minus	1,530	B	Minus	1,530
	Normal	1,700		Normal	1,700
	Plus	1,870		Plus	1,870
A	Minus	1,620	A	Minus	1,620
	Normal	1,800		Normal	1,800
	Plus	1,980		Plus	1,980

\* - @ 0.1 - 0.8 ESP  
 \*\* - Factory Default

DP5HM4841**					
COOLING / HP SPEED	ADJUST TAP	CFM*	ELECTRIC HEAT	ADJUST TAP	CFM*
D	Minus	1,103	D	Minus	1,103
	Normal	1,225		Normal	1,225
	Plus	1,348		Plus	1,348
C	Minus	1,260	C	Minus	1,260
	Normal	1,400		Normal	1,400
	Plus	1,540		Plus	1,540
B	Minus	1,530	B	Minus	1,530
	Normal	1,700		Normal	1,700
	Plus	1,870		Plus	1,870
A	Minus**	1,620	A	Minus**	1,620
	Normal	1,800		Normal	1,800
	Plus	1,980		Plus	1,980

\* - @ 0.1 - 0.8 ESP  
 \*\* - Factory Default

**NOTES:**

1. Data shown is dry coil. Wet coil pressure drop is approximately 0.2" H<sub>2</sub>O, for three-row indoor coil; and 0.3" H<sub>2</sub>O, for four-row indoor coil.
2. Data shown does not include filter pressure drop, approx. 0.08" H<sub>2</sub>O.
3. Reduce airflow by 2% for 208V operation.
4. ALL MODELS SHOULD RUN NO LESS THAN 300 CFM/TON.
5. For high static applications, see blower performance table for selecting appropriate speed tap.

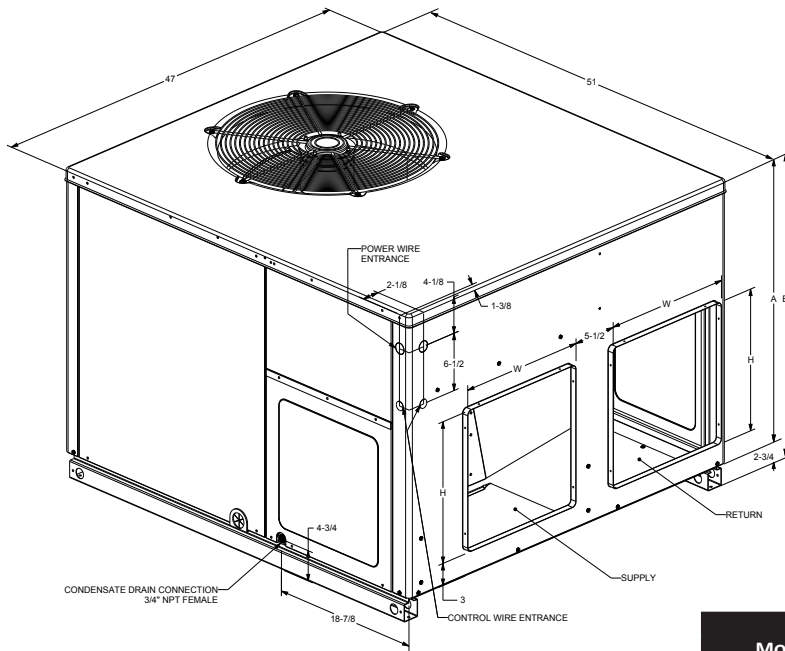
**5 TON**  
**MODEL: DP5HM6041\*\***

HORIZONTAL FLOW				
SPEED TAP	EXTERNAL STATIC PRESSURE IN W.C.	SCFM	RPM	BHP
T1	0.2	1372	665	0.20
	0.4	1259	734	0.23
	0.6	1133	813	0.25
	0.8	1016	888	0.27
T2	0.2	2176	878	0.69
	0.4	2080	939	0.74
	0.6	1973	1000	0.79
	0.8	1887	1048	0.83
T3	0.2	2176	878	0.69
	0.4	2080	939	0.74
	0.6	1973	1000	0.79
	0.8	1887	1048	0.83
T4	0.2	2234	960	0.86
	0.4	2162	1003	0.9
	0.6	2101	1042	0.83
	0.8	2053	1073	0.96
T5	0.2	2300	982	0.93
	0.4	2222	1025	0.98
	0.6	2170	1061	1.01
	0.8	2120	1095	1.04

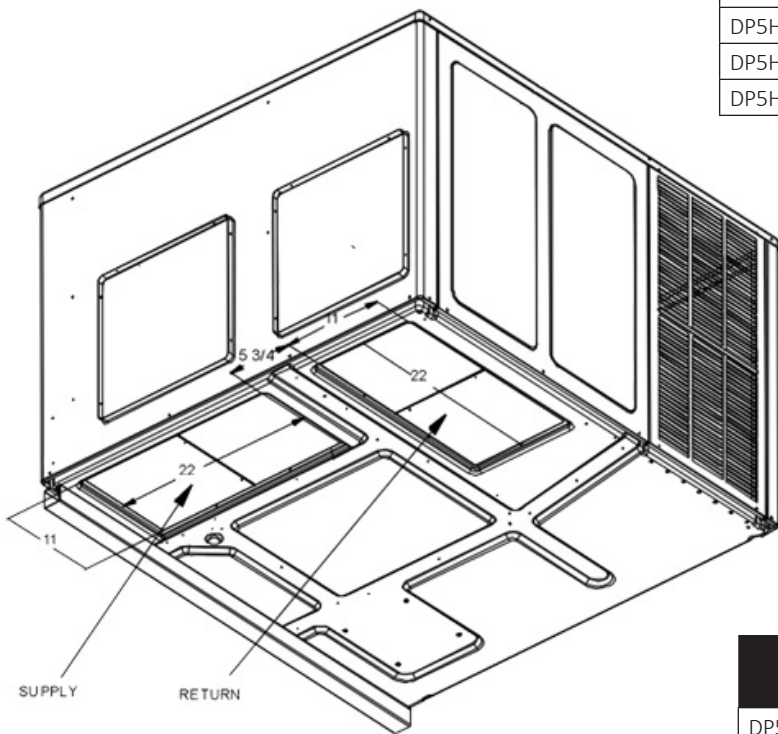
DOWNFLOW				
SPEED TAP	EXTERNAL STATIC PRESSURE IN W.C.	SCFM	RPM	BHP
T1	0.2	1380	664	0.20
	0.4	1262	735	0.23
	0.6	1132	811	0.25
	0.8	1006	884	0.27
T2	0.2	2145	902	0.71
	0.4	2056	952	0.75
	0.6	1967	1003	0.79
	0.8	1890	1051	0.83
T3	0.2	2145	902	0.71
	0.4	2056	952	0.75
	0.6	1976	1003	0.79
	0.8	1890	1051	0.83
T4	0.2	2293	950	0.85
	0.4	2195	995	0.89
	0.6	2112	1042	0.93
	0.8	2034	1088	0.97
T5	0.2	2364	971	0.92
	0.4	2274	1019	0.97
	0.6	2190	1063	1.01
	0.8	2113	1110	1.06

\*Shaded area indicates air flow below 1500 SCFM (300 SCFM/ton) that is not recommended for High Stage cooling or heating

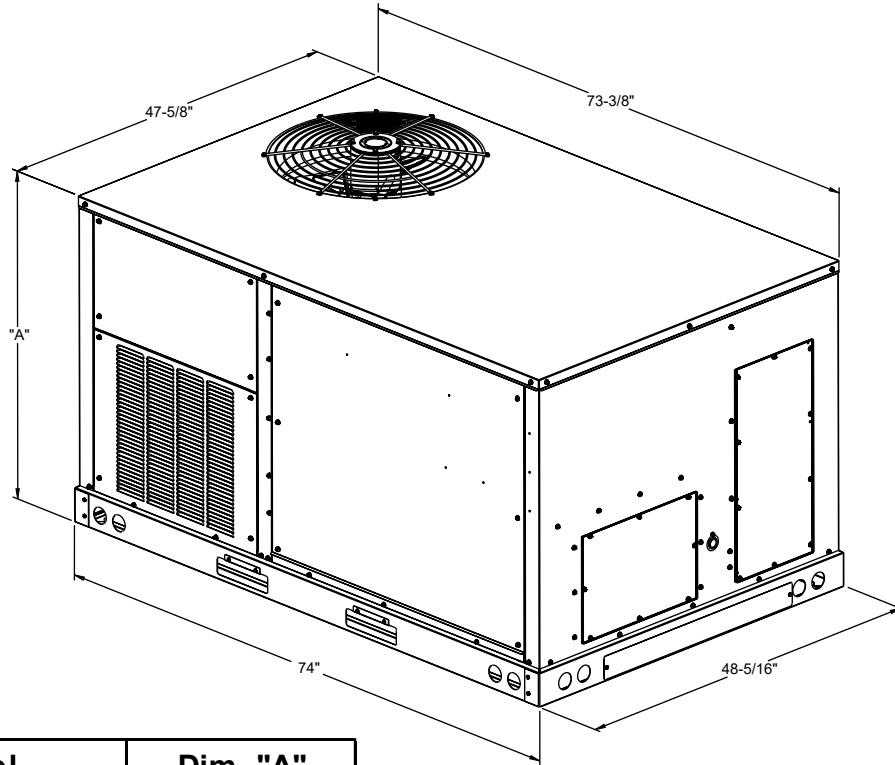
**DIMENSIONS—DP5HM(24-48)41\*\***



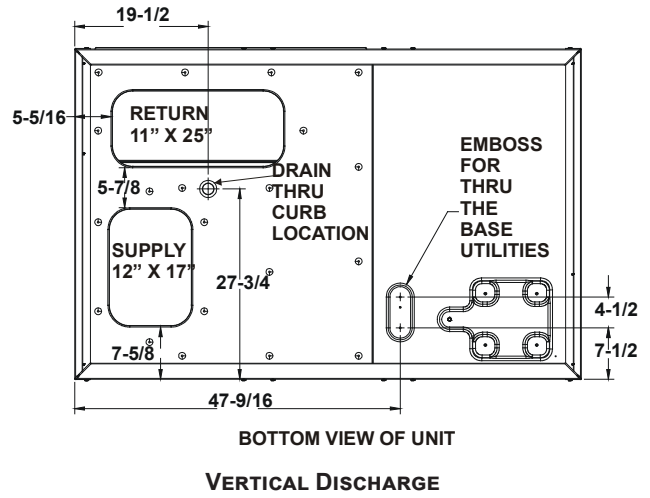
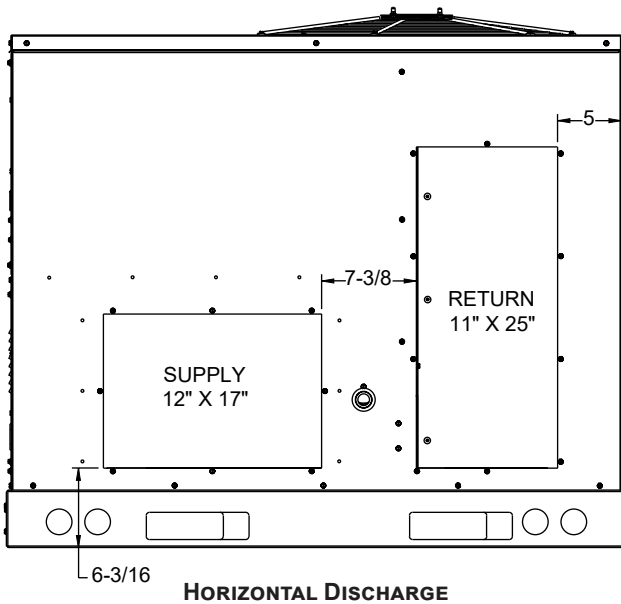
MODEL	UNIT DIMENSIONS (INCHES)				CHASSIS SIZE
	W	D	HEIGHT		
DP5HM2441**	47	51	32	34 $\frac{1}{4}$	Medium
DP5HM3041**	47	51	32	34 $\frac{1}{4}$	Medium
DP5HM3641**	47	51	40	42 $\frac{1}{4}$	Large
DP5HM4241**	47	51	40	42 $\frac{1}{4}$	Large
DP5HM4841**	47	51	40	42 $\frac{1}{4}$	Large



MODEL	DUCT OPENINGS			
	SUPPLY		RETURN	
	W	H	W	H
DP5HM2441**	16	16	16	16
DP5HM3041**	16	16	16	16
DP5HM3641**	16	18	16	18
DP5HM4241**	16	18	16	18
DP5HM4841**	16	18	16	18



Model	Dim. "A"
5 Ton Heat Pump	43-1/2"



## ROOF CURB INSTALLATION — RIGGING

Provisions for forks have been included in the unit base frame. No other fork locations are approved.

- Unit must be lifted by the four lifting holes located at the base frame corners.
- Lifting cables should be attached to the unit with shackles.
- The distance between the crane hook and the top of the unit must not be less than 60".
- Two spreader bars must span over the unit to prevent damage to the cabinet by the lift cables. Spreader bars must be of sufficient length so that cables do not come in contact with the unit during transport. Remove wood struts mounted beneath unit base frame before setting unit on roof curb. These struts are intended to protect unit base frame from fork lift damage. To remove the struts, extract the sheet metal retainers and pull the struts through the base of the unit. Refer to rigging label on the unit.

Important: If using bottom discharge with roof curb, duct-work should be attached to the curb prior to installing the unit. Duct-work dimensions are shown in Roof Curb Installation Instructions Manual.

Refer to the Roof Curb Installation Instructions for proper curb installation. Curbing must be installed in compliance with the National Roofing Contractors Association Manual.

Lower unit carefully onto roof mounting curb. While rigging the unit, the center of gravity will cause the condenser end to be lower than the supply air end.

Bring condenser end of unit into alignment with the curb. With condenser end of the unit resting on curb member and using curb as a fulcrum, lower opposite end of the unit until entire unit is seated on the curb. When a rectangular cantilever curb is used, take care to center the unit. Check for proper alignment and orientation of supply and return openings with duct.

To assist in determining rigging requirements, unit weights are shown below.

Curb installations must comply with local codes and should follow the established guidelines of the National Roofing Contractors Association.

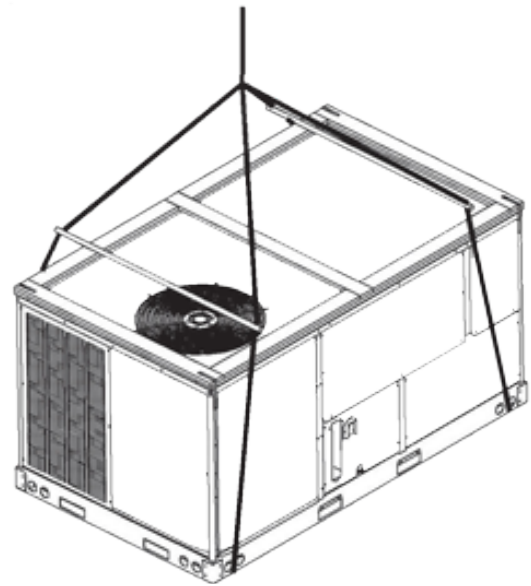
Proper unit installation requires that the roof curb be firmly and permanently attached to the roof structure. Check for adequate fastening method prior to setting the unit on the curb.

Full perimeter roof curbs are available from the factory and are shipped unassembled. The installing contractor is responsible for field assembly, squaring, leveling, and mounting on the roof structure. All required hardware necessary for the assembly of the sheet metal curb is included in the curb accessory package.

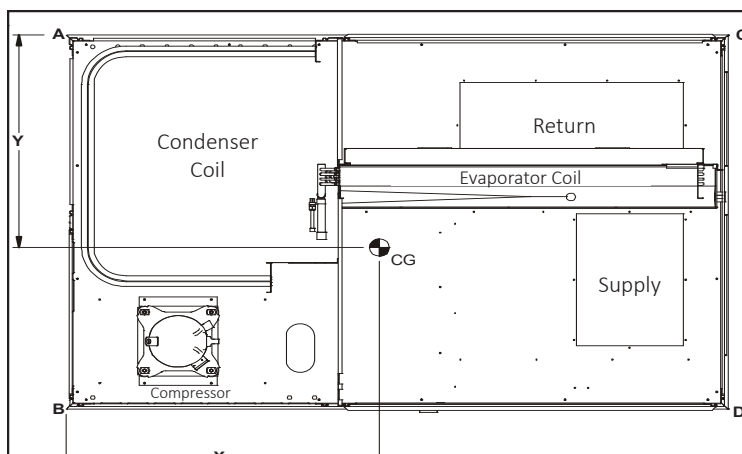
- Determine sufficient structural support before locating and mounting the curb and package unit.
- Duct-work must be constructed using industry guidelines. The duct-work must be placed into the roof curb before mounting the package unit. Our full perimeter curbs include duct connection frames to be assembled with the curb. Cantilevered-type curbs are not available from the factory.
- Contractor furnishes curb insulation, cant strips, flashing, and general roofing material.
- Support curbs on parallel sides with roof members. To prevent damage to the unit, the roof members cannot penetrate supply and return duct openings.

Note: The unit and curb accessories are designed to allow vertical duct installation before unit placement. Duct installation after unit placement is not recommended.

See the manual shipped with the roof curb for assembly and installation instructions.



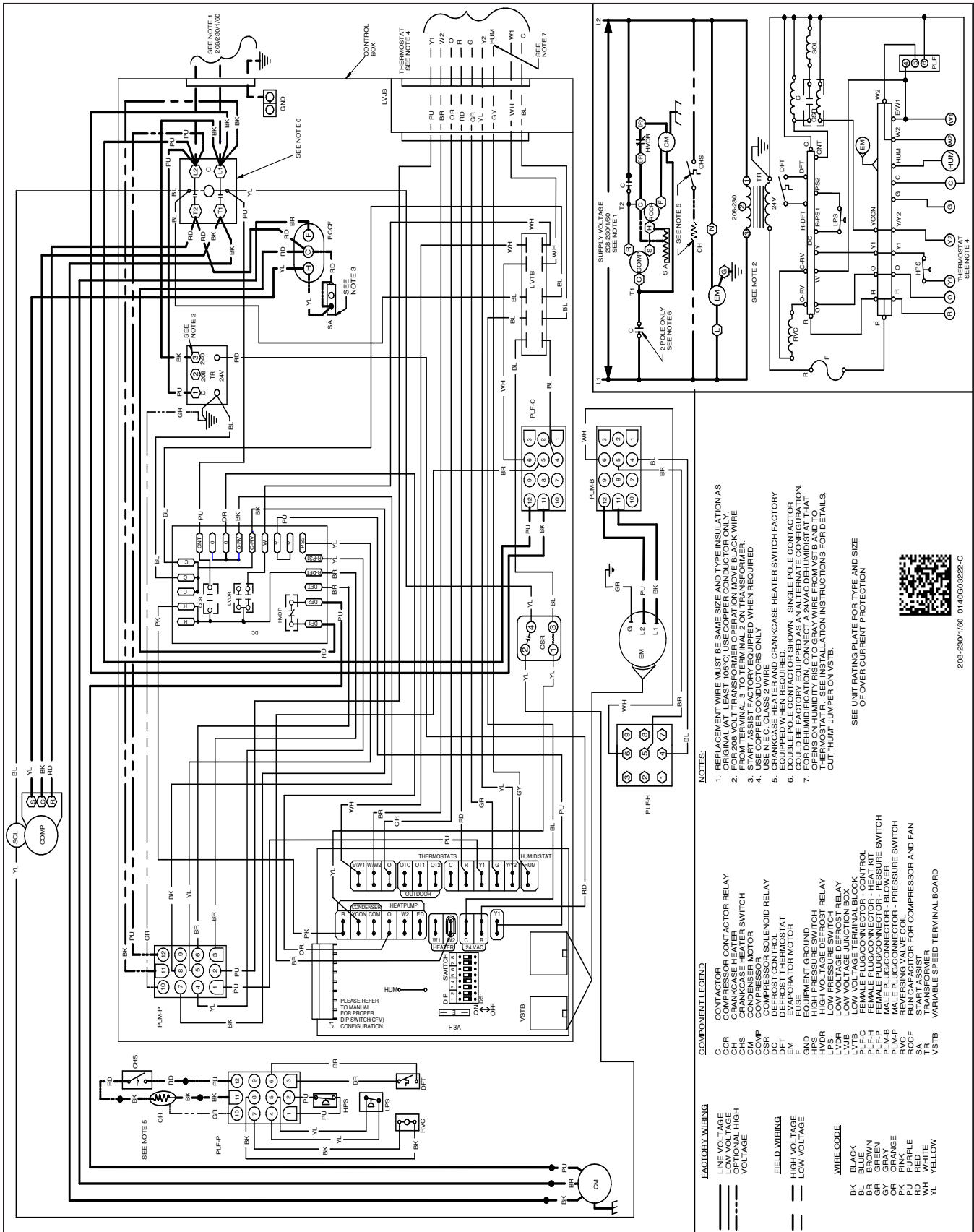
### CORNER & CENTER-OF-GRAVITY LOCATIONS



MODEL	X (IN)	Y (IN)	SHIPPING WEIGHT (LBS)	OPERATING WEIGHT (LBS)
DP5HM6041	33.5	27.6	688	630

MODEL	CORNER WEIGHTS (LBS.)			
	A	B	C	D
DP5HM6041	150	194	165	121





Wiring is subject to change. Always refer to the wiring diagram on the unit for the most up-to-date wiring.

**WARNING**

**High Voltage:** Disconnect all power before servicing or installing this unit. Multiple power sources may be present. Failure to do so may cause property damage, personal injury, or death.

- NOTES:**
1. REPLACEMENT WIRE MUST BE SAME SIZE AND TYPE INSULATION AS ORIGINAL (AT LEAST 105°C) USE COPPER CONDUCTOR ONLY.
  2. WIRE MUST BE STRIPPED TO THE CORRECT LENGTH AND WIRE FROM TERMINAL 3 TO TERMINAL 2 ON TRANSFORMER.
  3. START ASSIST FACTORY EQUIPPED WHEN REQUIRED.
  4. USE N.E.C. CLASS 2 WIRE.
  5. CRANKCASE HEATER AND CRANKCASE HEATER SWITCH FACTORY EQUIPPED ON ALL UNITS.
  6. DOUBLE POLE CONTACTOR SHOWN. SINGLE POLE CONTACTOR COULD BE FACTORY EQUIPPED AS AN ALTERNATE CONFIGURATION. FOR DEHUMIDIFICATION, CONNECT A 250VAC DEHUMIDISTAT THAT OPERATES ON THE SAME CIRCUIT AS THE CRANKCASE HEATER THERMOSTAT. R. SEE INSTALLATION INSTRUCTIONS FOR DETAILS.
  7. CUT HUM JUMPER ON V5TB.

**COMPONENT LEGEND**

C	CONTACTOR
CCR	COMPRESSOR CONTACTOR RELAY
CHS	CRANKCASE HEATER SWITCH
CM	CONDENSER MOTOR
CSR	COMPRESSOR SOLENOID RELAY
DC	DEFROST CONTROL
DCR	DEFROST RELAY
F	FUSE
G	EVAPORATOR MOTOR
H	EQUIPMENT GROUND
HVR	HIGH VOLTAGE DEFROST RELAY
HPS	HIGH PRESSURE SWITCH RELAY
LVB	LOW VOLTAGE DEFROST RELAY
LVB2	LOW VOLTAGE DEFROST RELAY
LVB3	LOW VOLTAGE DEFROST RELAY
LVB4	LOW VOLTAGE DEFROST RELAY
LVB5	LOW VOLTAGE DEFROST RELAY
LVB6	LOW VOLTAGE DEFROST RELAY
LVB7	LOW VOLTAGE DEFROST RELAY
LVB8	LOW VOLTAGE DEFROST RELAY
LVB9	LOW VOLTAGE DEFROST RELAY
LVB10	LOW VOLTAGE DEFROST RELAY
LVB11	LOW VOLTAGE DEFROST RELAY
LVB12	LOW VOLTAGE DEFROST RELAY
LVB13	LOW VOLTAGE DEFROST RELAY
LVB14	LOW VOLTAGE DEFROST RELAY
LVB15	LOW VOLTAGE DEFROST RELAY
LVB16	LOW VOLTAGE DEFROST RELAY
LVB17	LOW VOLTAGE DEFROST RELAY
LVB18	LOW VOLTAGE DEFROST RELAY
LVB19	LOW VOLTAGE DEFROST RELAY
LVB20	LOW VOLTAGE DEFROST RELAY
LVB21	LOW VOLTAGE DEFROST RELAY
LVB22	LOW VOLTAGE DEFROST RELAY
LVB23	LOW VOLTAGE DEFROST RELAY
LVB24	LOW VOLTAGE DEFROST RELAY
LVB25	LOW VOLTAGE DEFROST RELAY
LVB26	LOW VOLTAGE DEFROST RELAY
LVB27	LOW VOLTAGE DEFROST RELAY
LVB28	LOW VOLTAGE DEFROST RELAY
LVB29	LOW VOLTAGE DEFROST RELAY
LVB30	LOW VOLTAGE DEFROST RELAY
LVB31	LOW VOLTAGE DEFROST RELAY
LVB32	LOW VOLTAGE DEFROST RELAY
LVB33	LOW VOLTAGE DEFROST RELAY
LVB34	LOW VOLTAGE DEFROST RELAY
LVB35	LOW VOLTAGE DEFROST RELAY
LVB36	LOW VOLTAGE DEFROST RELAY
LVB37	LOW VOLTAGE DEFROST RELAY
LVB38	LOW VOLTAGE DEFROST RELAY
LVB39	LOW VOLTAGE DEFROST RELAY
LVB40	LOW VOLTAGE DEFROST RELAY
LVB41	LOW VOLTAGE DEFROST RELAY
LVB42	LOW VOLTAGE DEFROST RELAY
LVB43	LOW VOLTAGE DEFROST RELAY
LVB44	LOW VOLTAGE DEFROST RELAY
LVB45	LOW VOLTAGE DEFROST RELAY
LVB46	LOW VOLTAGE DEFROST RELAY
LVB47	LOW VOLTAGE DEFROST RELAY
LVB48	LOW VOLTAGE DEFROST RELAY
LVB49	LOW VOLTAGE DEFROST RELAY
LVB50	LOW VOLTAGE DEFROST RELAY
LVB51	LOW VOLTAGE DEFROST RELAY
LVB52	LOW VOLTAGE DEFROST RELAY
LVB53	LOW VOLTAGE DEFROST RELAY
LVB54	LOW VOLTAGE DEFROST RELAY
LVB55	LOW VOLTAGE DEFROST RELAY
LVB56	LOW VOLTAGE DEFROST RELAY
LVB57	LOW VOLTAGE DEFROST RELAY
LVB58	LOW VOLTAGE DEFROST RELAY
LVB59	LOW VOLTAGE DEFROST RELAY
LVB60	LOW VOLTAGE DEFROST RELAY
LVB61	LOW VOLTAGE DEFROST RELAY
LVB62	LOW VOLTAGE DEFROST RELAY
LVB63	LOW VOLTAGE DEFROST RELAY
LVB64	LOW VOLTAGE DEFROST RELAY
LVB65	LOW VOLTAGE DEFROST RELAY
LVB66	LOW VOLTAGE DEFROST RELAY
LVB67	LOW VOLTAGE DEFROST RELAY
LVB68	LOW VOLTAGE DEFROST RELAY
LVB69	LOW VOLTAGE DEFROST RELAY
LVB70	LOW VOLTAGE DEFROST RELAY
LVB71	LOW VOLTAGE DEFROST RELAY
LVB72	LOW VOLTAGE DEFROST RELAY
LVB73	LOW VOLTAGE DEFROST RELAY
LVB74	LOW VOLTAGE DEFROST RELAY
LVB75	LOW VOLTAGE DEFROST RELAY
LVB76	LOW VOLTAGE DEFROST RELAY
LVB77	LOW VOLTAGE DEFROST RELAY
LVB78	LOW VOLTAGE DEFROST RELAY
LVB79	LOW VOLTAGE DEFROST RELAY
LVB80	LOW VOLTAGE DEFROST RELAY
LVB81	LOW VOLTAGE DEFROST RELAY
LVB82	LOW VOLTAGE DEFROST RELAY
LVB83	LOW VOLTAGE DEFROST RELAY
LVB84	LOW VOLTAGE DEFROST RELAY
LVB85	LOW VOLTAGE DEFROST RELAY
LVB86	LOW VOLTAGE DEFROST RELAY
LVB87	LOW VOLTAGE DEFROST RELAY
LVB88	LOW VOLTAGE DEFROST RELAY
LVB89	LOW VOLTAGE DEFROST RELAY
LVB90	LOW VOLTAGE DEFROST RELAY
LVB91	LOW VOLTAGE DEFROST RELAY
LVB92	LOW VOLTAGE DEFROST RELAY
LVB93	LOW VOLTAGE DEFROST RELAY
LVB94	LOW VOLTAGE DEFROST RELAY
LVB95	LOW VOLTAGE DEFROST RELAY
LVB96	LOW VOLTAGE DEFROST RELAY
LVB97	LOW VOLTAGE DEFROST RELAY
LVB98	LOW VOLTAGE DEFROST RELAY
LVB99	LOW VOLTAGE DEFROST RELAY
LVB100	LOW VOLTAGE DEFROST RELAY

**FACTORY WIRING**

---	LINE VOLTAGE
---	LOW VOLTAGE
---	OPTIONAL HIGH VOLTAGE

**FIELD WIRING**

---	HIGH VOLTAGE
---	LOW VOLTAGE

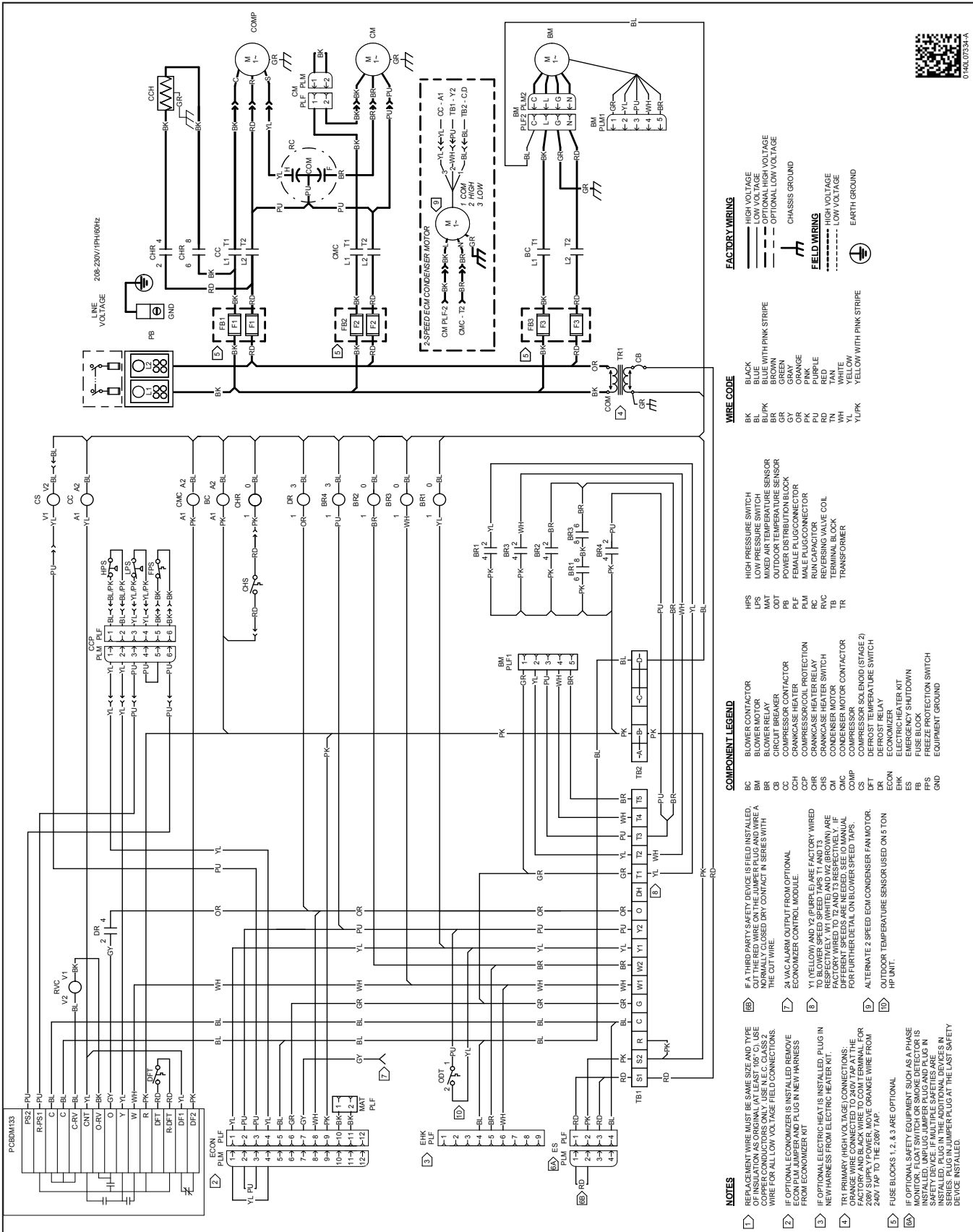
**WIRE CODE**

BK	BLACK
BR	BROWN
GR	GREEN
OR	ORANGE
PK	PINK
RD	RED
TR	TRANSFORMER
WH	WHITE
YL	YELLOW



208-230/1/60 01400322-C

SEE UNIT RATING PLATE FOR TYPE AND SIZE OF OVER CURRENT PROTECTION



Wiring is subject to change. Always refer to the wiring diagram on the unit for the most up-to-date wiring.

**WARNING**

**High Voltage:** Disconnect all power before servicing or installing this unit. Multiple power sources may be present. Failure to do so may cause property damage, personal injury, or death.

**FOR DP5HM(24-48)41 MODELS**

ACCESSORY DESCRIPTION	ITEM NUMBER	
	MEDIUM CHASSIS	LARGE CHASSIS
Downflow Economizer	DDNECNJPCHMM	DDNECNJPCHML
Downflow Internal Filter Rack	DDNIFRPCHMM	DDNIFRPCHML
Downflow Manual Damper	DDN25FDPGCHMM	DDN25FDPGCHML
Downflow Motorized Damper	DDN25MFDPGCHMM	DDN25MFDPGCHML
Downflow Square to Round	SQRPG101/102	SQRPG103
Economizer Wiring Harness	0259L00411	0259L00411
External Horizontal Filter Rack	DPHFRA	DPHFRA
Horizontal Duct Cover	20464501NGK	20464502NGK
Horizontal Economizer	DHZECNJPCHMM	DHZECNJPCHML
Horizontal Manual Damper	DHZ25FDPGCHMM	DHZ25FDPGCHML
Horizontal Motorized Damper	DHZ25MFDPGCHMM	DHZ25MFDPGCHML
Horizontal Square to Round	SQRPGH101/102	SQRPGH103
Inline Fuse Kit	INFKPKG01	INFKPKG01
Roof Curb	D14CRBPGCHMA	D14CRBPGCHMA
Outdoor Thermostat Kit w/ Lockout Stat	OT18-60A	OT18-60A
Outdoor Thermostat Kit (Used only with DP5HM2441 and DP5HM3041 models)	OTHPKKG-02	N/A

**FOR DP5HM6041 MODEL**

ITEM #	DESCRIPTION
0221L00014	14" Roof Curb
0270L01166	25% Manual Fresh Air Damper
0270L01165	25% Motorized Fresh Air Damper
0270L01338	Concentric Duct Adapter Kit 18"
0270L01753	Downflow Low-Leak Economizer Enthalpy
0270L01755	Downflow Ultra Low-Leak Economizer Enthalpy
0270L01757	Horizontal Ultra Low-Leak Economizer Enthalpy
EHXD-1S (05, 10, 15, 20)	Electric Heat Kits
0270L01250	Hurricane Restraint Clips (for 0221L00014 Roof Curb)
0270L01261	Hurricane Restraint Clips

